

LAST SYMBOL	MISSING SYMBOL
R6	
C3	
CR4	
KI	
Q1	

NOTES

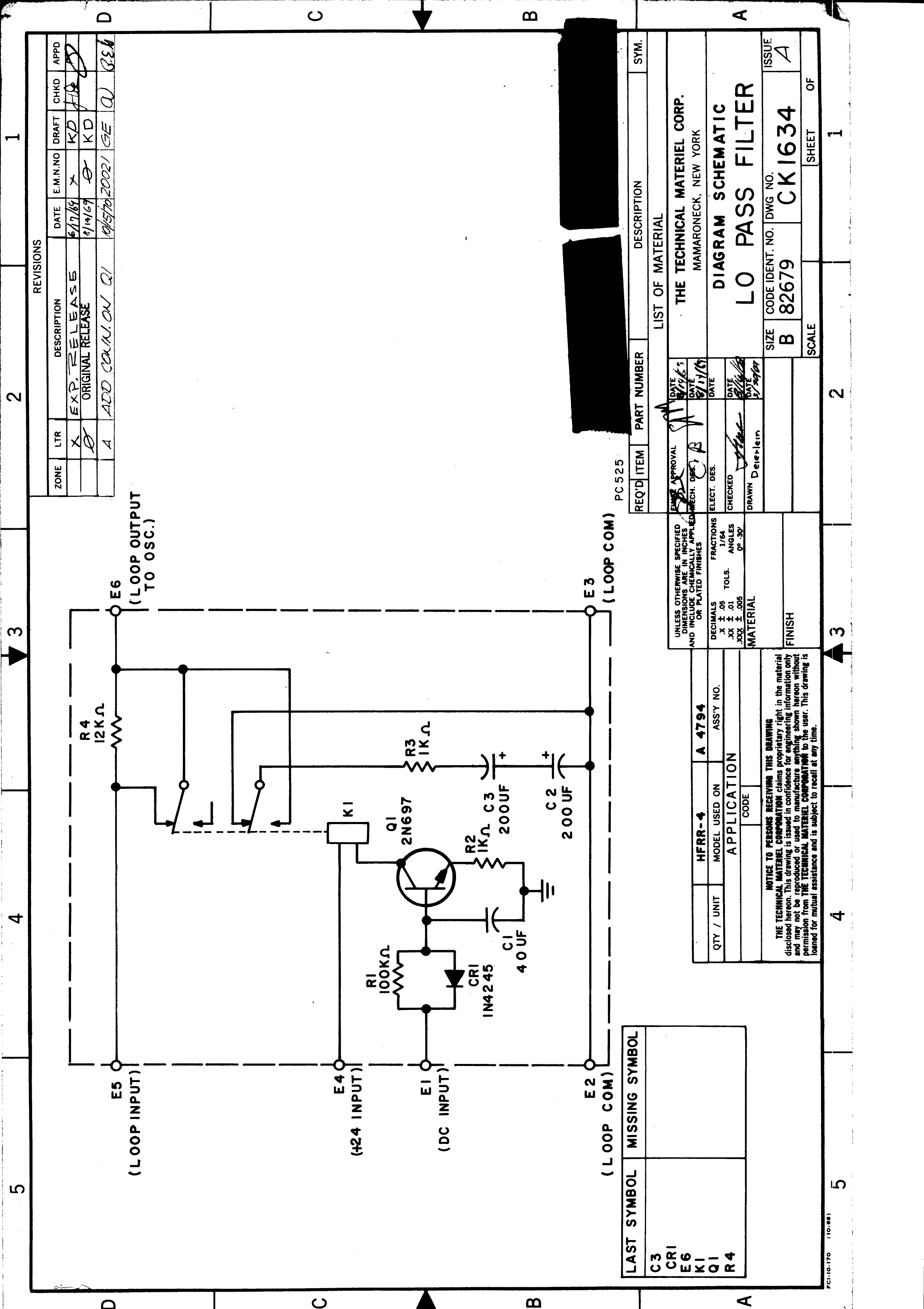
- PARTIAL REFERENCE DESIGNATIONS AS SHOWN; FOR COMPLETE DESIGNATION, PREFIX WITH UNIT NUMBER AND SUB-ASSEMBLY DESIGNATION (S) AS APPLICABLE
- STRAP IS INCLUDED WHEN 60mA LOOP IS USED STRAP IS NOT INCLUDED WHEN 20mA OR 6 VOLT LOOPS ARE USED.

REVISIONS	DESCRIPTION	DATE	E.M.N.NO	DRAFT	CHKD	APPD
1	EXPERIMENTAL RELEASE	9/12/69		CV		
2	ORIG RELEASE FOR PROD	9/19/69		CV		

REQ'D ITEM	PART NUMBER	DESCRIPTION	SYM.
LIST OF MATERIAL			
THE TECHNICAL MATERIEL CORP. MAMARONECK, NEW YORK			
DIAGRAM SCHEMATIC			
ISOLATION KEYS			
SIZE	CODE IDENT. NO.	DWG NO.	ISSUE
B	82679	CK1612	Ø
SCALE	SHEET	OF	
	5-11	1	7/5

QTY / UNIT	MODEL USED ON	ASSY NO.
1	RT1H-3, 4	A4494
1	RTMU-41 (), 42 ()	A4494
APPLICATION		
CODE		
MATERIAL		
FINISH		

NOTICE TO PERSONS RECEIVING THIS DRAWING
THE TECHNICAL MATERIEL CORPORATION claims proprietary right in the material disclosed hereon. This drawing is issued in confidence for engineering information only and may not be reproduced or used to manufacture anything shown hereon without permission from THE TECHNICAL MATERIEL CORPORATION to the user. This drawing is loaned for mutual assistance and is subject to recall at any time.



(LOOP OUTPUT TO OSC.)

(LOOP INPUT)

(+24 INPUT)

(DC INPUT)

(LOOP COM)

(LOOP COM)

PC 525

REVISIONS							
ZONE	LTR	DESCRIPTION	DATE	E.M.N. NO	DRAFT	CHKD	APPD
	X	EXP. RELEASE	6/17/69	X	KD	HD	
	Ø	ORIGINAL RELEASE	6/19/69	Ø	KD		
	A	ADD COM. ON Q1	10/5/70	20021	GE	CU	REB

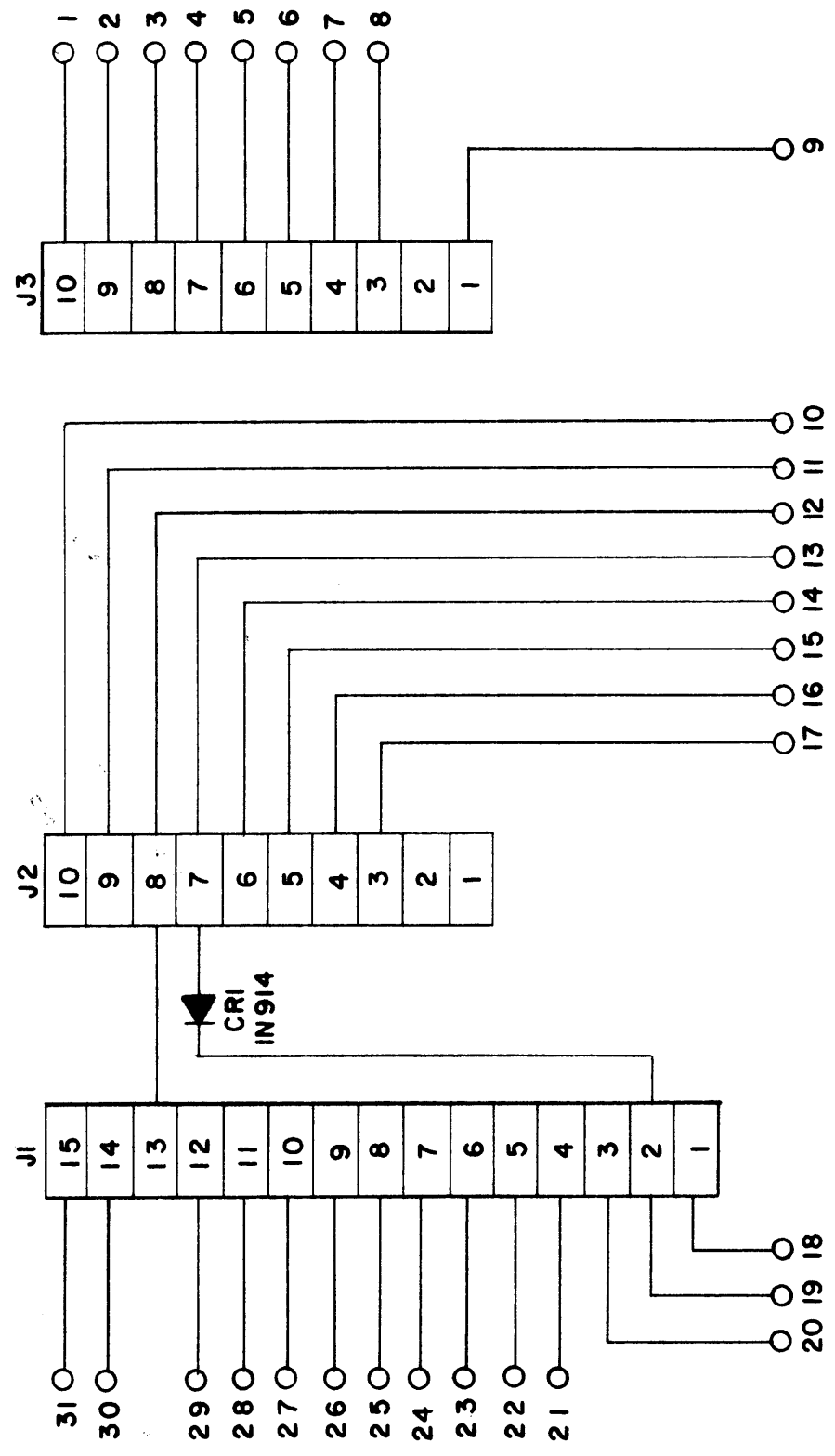
LAST SYMBOL	MISSING SYMBOL
C3	
CR1	
E6	
K1	
Q1	
R4	

REQ'D ITEM	PART NUMBER	DESCRIPTION	SYM.
		LIST OF MATERIAL	
THE TECHNICAL MATERIEL CORP. MAMARONECK, NEW YORK			
DIAGRAM SCHEMATIC LO PASS FILTER			
DATE	DATE	DATE	DATE
8/19/69	8/11/69		
APPROVAL	MECH. DES.	ELECT. DES.	CHECKED
[Signature]	[Signature]	[Signature]	[Signature]
DRAWN Deterlein		DATE	DATE
		8/11/69	8/11/69
SIZE	CODE IDENT. NO.	DWG. NO.	ISSUE
B	82679	CK1634	A
SCALE	SHEET	OF	

UNLESS OTHERWISE SPECIFIED DIMENSIONS ARE IN INCHES AND INCLUDE CHEMICALLY APPLIED OR PLATED FINISHES	FRACTIONS 1/64	TOLS. .01	ANGLES 0°-30°
DECIMALS .X ± .05 .XX ± .01 .XXX ± .005	MATERIAL FINISH		

QTY / UNIT	MODEL USED ON	ASSY NO.
	HFRR-4	A 4794
APPLICATION		
CODE		
NOTICE TO PERSONS RECEIVING THIS DRAWING THE TECHNICAL MATERIEL CORPORATION claims proprietary right in the material disclosed hereon. This drawing is issued in confidence for engineering information only and may not be reproduced or used to manufacture anything shown hereon without permission from THE TECHNICAL MATERIEL CORPORATION to the user. This drawing is loaned for mutual assistance and is subject to recall at any time.		

REVISIONS					
ZONE	LTR	DESCRIPTION	DATE	E.M.N.NO	APPD
	X	EXP. RELEASE	8/12/69		KD
	X1	REVISED & UPDATED	8/21/69		KD
	Ø	ORIGINAL RELEASE	7/5/61		OU



A 4781/PC513

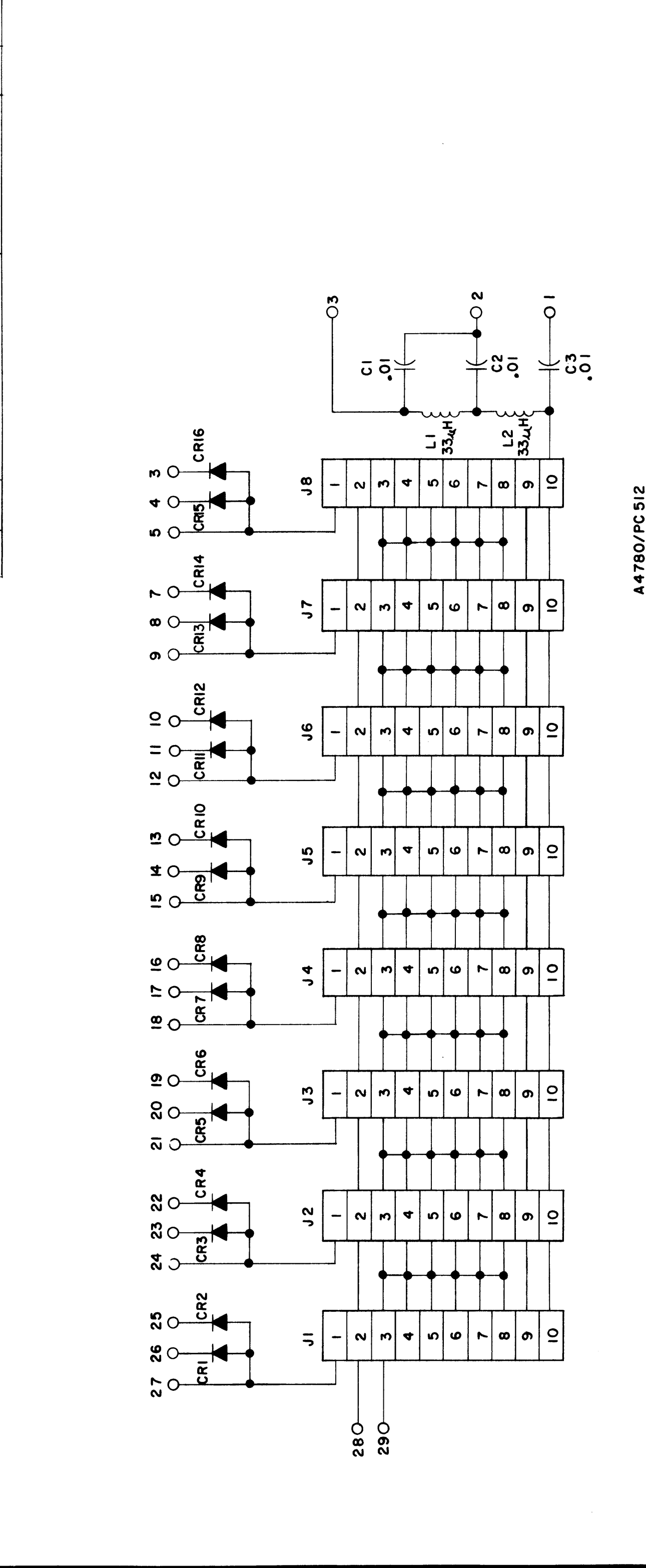
REQ'D ITEM	PART NUMBER	DESCRIPTION	SYM.
POSE		LIST OF MATERIAL	
THE TECHNICAL MATERIEL CORP. MAMARONECK, NEW YORK			
DIAGRAM SCHEMATIC			
EXC. IF			
SIZE	CODE IDENT. NO.	DWG. NO.	ISSUE
B	82679	CK 1656	Ø
SCALE	SHEET	OF	

UNLESS OTHERWISE SPECIFIED DIMENSIONS ARE IN INCHES AND INCLUDE CHEMICALLY APPLIED OR PLATED FINISHES	FRACCTIONS 1/64
DECIMALS .X ± .05	TOLS. ANGLES 0°-30'
.XX ± .01	
.XXX ± .005	
MATERIAL	
FINISH	

QTY / UNIT	MODEL USED ON	ASSY NO.
	APPLICATION	
	CODE	
MTR()-150		
<p>NOTICE TO PERSONS RECEIVING THIS DRAWING THE TECHNICAL MATERIEL CORPORATION claims proprietary right in the material disclosed hereon. This drawing is issued in confidence for engineering information only and may not be reproduced or used to manufacture anything shown hereon without permission from THE TECHNICAL MATERIEL CORPORATION to the user. This drawing is loaned for mutual assistance and is subject to recall at any time.</p>		

1 2 3 4 5

ZONE	LTR	DESCRIPTION	DATE	E.M.N.NO	DRAFT	CHKD	APPD
	X	EXP. RELEASE	8/11/69		KD		
	X1	REVISED & UPDATED	8/21/69		KD		
	Ø	ORIGINAL RELEASE	9/8/69		Ø		



NOTE:
ALL DIODES ARE IN914.

REQ'D	ITEM	PART NUMBER	DESCRIPTION	SYM.
			LIST OF MATERIAL	
			THE TECHNICAL MATERIEL CORP.	
			MAMARONECK, NEW YORK	
			DIAGRAM SCHEMATIC	
			EXC. RF	
			CODE IDENT. NO. DWG NO.	ISSUE
			B 82679 CK1657	Ø
			SCALE	SHEET OF
				1

QTY / UNIT	MTR () - 150	MODEL USED ON	ASSY NO.
		APPLICATION	
		CODE	

UNLESS OTHERWISE SPECIFIED DIMENSIONS ARE IN INCHES AND INCLUDE CHEMICALLY APPLIED OR PLATED FINISHES

DECIMALS	FRACTIONS	TOLS.	ANGLES
.X ± .05	1/64		
.XX ± .01			
.XXX ± .005		Ø .30	

MATERIAL: FINISH

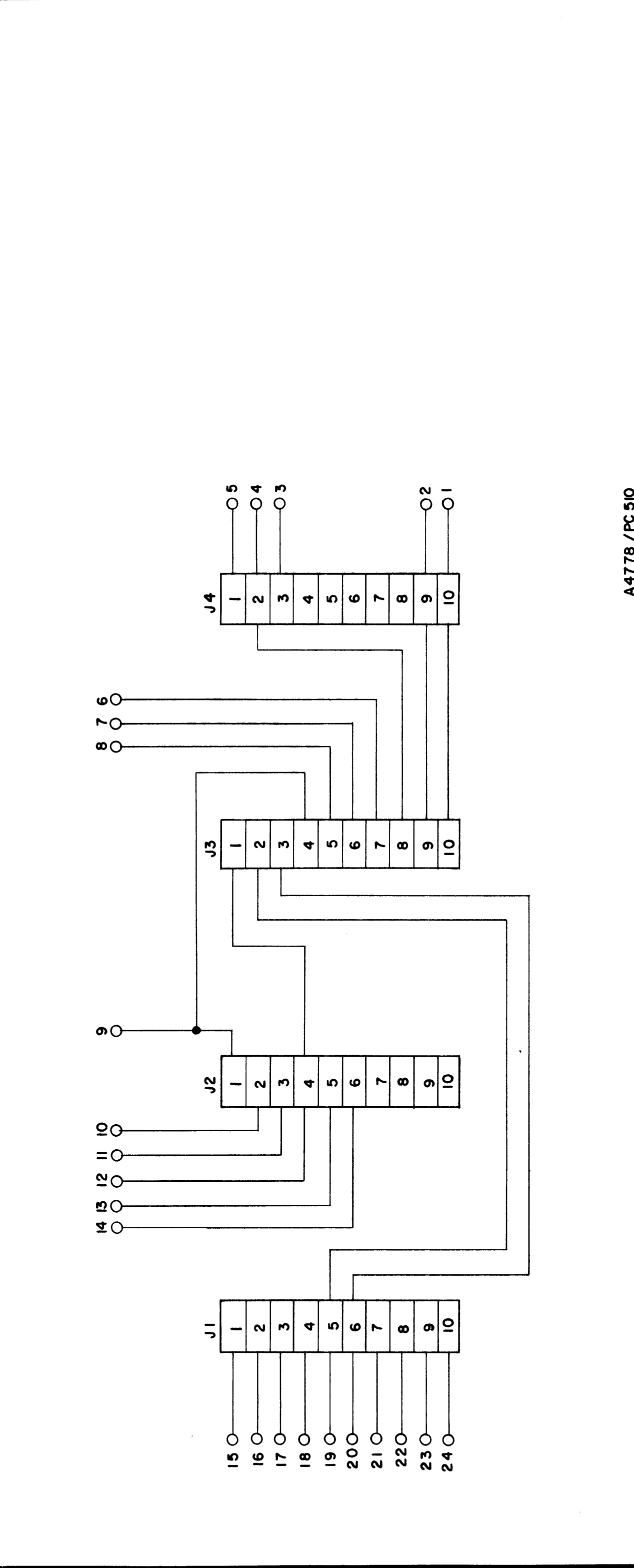
DATE: 9/8/69
DATE: 8/21/69
DATE: 8/11/69

FINISH APPROVED: [Signature]
ELECT. DES. [Signature]
CHECKED [Signature]
DRAWN: Decker/cin

NOTICE TO PERSONS RECEIVING THIS DRAWING
THE TECHNICAL MATERIEL CORPORATION claims proprietary right in the material disclosed hereon. This drawing is issued in confidence for engineering information only and may not be reproduced or used to manufacture anything shown hereon without permission from THE TECHNICAL MATERIEL CORPORATION to the user. This drawing is loaned for mutual assistance and is subject to recall at any time.

5 4 3 2 1

ZONE	LTR	DESCRIPTION	DATE	E.M.N.NO	DRAFT	CHKD	APPD
	X	EXP RELEASE	8/11/69		KD		
	X ₁	REVISED & UPDATED	8/21/69		KD		
	∅	ORIGINAL RELEASE	9/13/69		W		



A4778 / PC 510

REQ'D ITEM	PART NUMBER	DESCRIPTION	SYM.
POSE		LIST OF MATERIAL	
THE TECHNICAL MATERIEL CORP. MAMARONECK, NEW YORK			
DIAGRAM SCHEMATIC			
REC IF			
DATE 9/13/69	DATE 8/21/69	DATE 8/21/69	DATE 8/11/69
FINAL APPROVAL	ELECT. DES.	CHECKED	DRAWN
UNLESS OTHERWISE SPECIFIED DIMENSIONS ARE IN INCHES AND INCLUDE CHEMICALLY APPLIED OR PLATED FINISHES			
DECIMALS X ± .05		FRACTIONS 1/64	
.XX ± .01		TOLS. ANGLES	
.XXX ± .005		0°-30'	
MATERIAL FINISH			
MTR () - 150		ASSY NO.	
MODEL USED ON APPLICATION		CODE	
<p>NOTICE TO PERSONS RECEIVING THIS DRAWING THE TECHNICAL MATERIEL CORPORATION claims proprietary right in the material disclosed hereon. This drawing is issued in confidence for engineering information only and may not be reproduced or used to manufacture anything shown hereon without permission from THE TECHNICAL MATERIEL CORPORATION to the user. This drawing is loaned for mutual assistance and is subject to recall at any time.</p>			
SIZE B	CODE IDENT. NO. 82679	DWG NO. CK 1658	ISSUE ∅
SCALE NONE		SHEET	OF