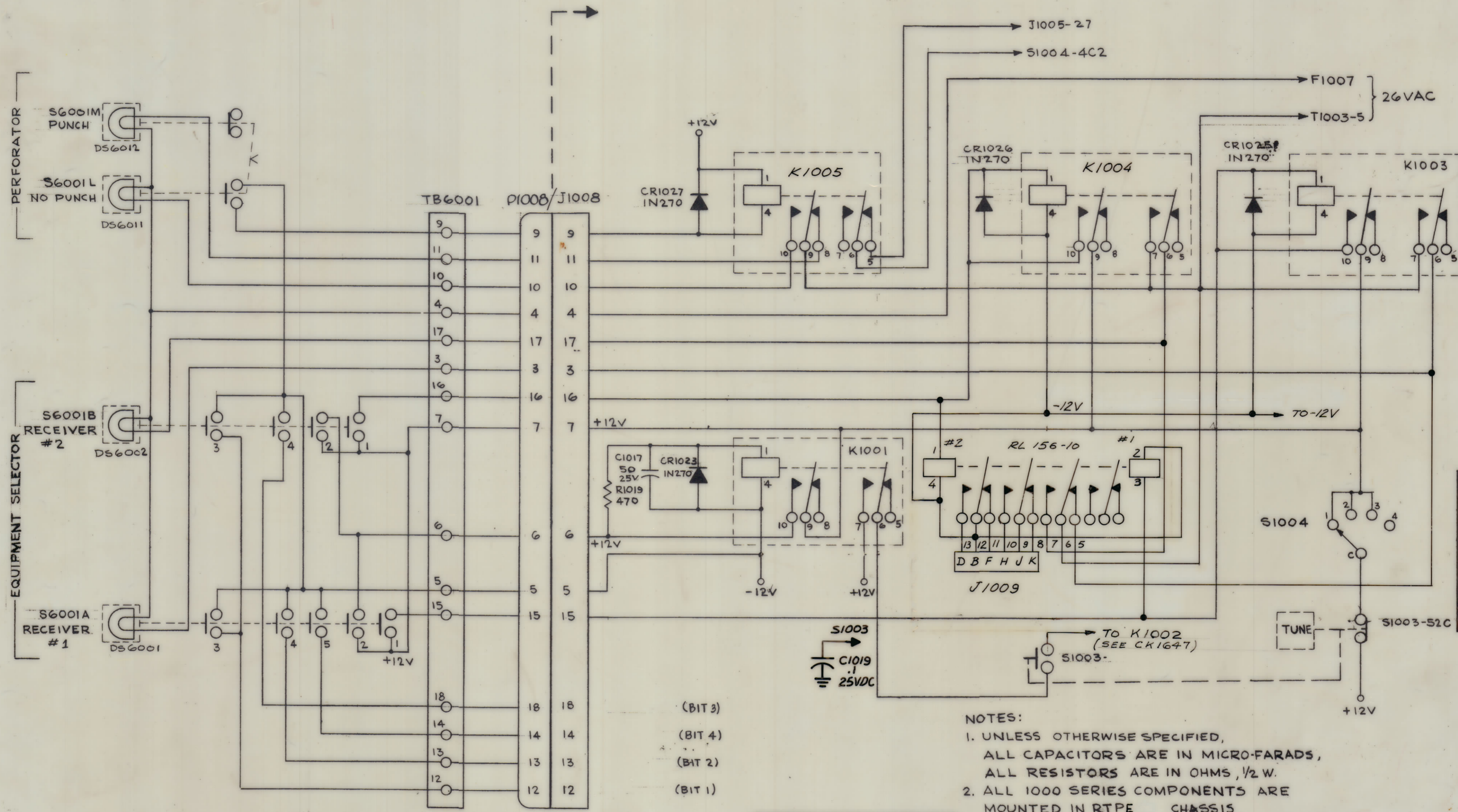


REVISIONS							
ZONE	SYM	DESCRIPTION	DATE	E.M.N. NO.	DRAFT	CHKD	APPD
		ORIGINAL RELEASE FOR PRODUCTION	8-19-69			GEVLS	
A		CHG. TO RTPE UNDER "NOTES" & J1008	9-16-71	20442	RT	W	CP



(BIT 3)
 (BIT 4)
 (BIT 2)
 (BIT 1)

NOTES:
 1. UNLESS OTHERWISE SPECIFIED, ALL CAPACITORS ARE IN MICRO-FARADS, ALL RESISTORS ARE IN OHMS, 1/2 W.
 2. ALL 1000 SERIES COMPONENTS ARE MOUNTED IN RTPE CHASSIS.

THIS SCHEMATIC FOR
 RTRS-1 (SP)
 SERIAL NO: 10808 & 10809
 TMC SO.# 514356

RTPE SHOWN FOR REF.

LAST SYMBOLS
 C1019 S6001
 CR1027
 K1009
 J1008
 S1004
 TB6001
 DS6012
 PI008

RTRS-1
 SCHEMATIC

MISSING SYMBOL CHART
 DS6003, 4, 5, 6, 7, 8, 9, 10
 K1004, 5, 6, 7

NOTES

RTRS-1 (SP)		
Q'TY./UNIT	MODEL USED ON	ASSY. NO.
SCALE	CODE	
	A	

THE CONTENTS OF THIS DRAWING ARE THE EXCLUSIVE PROPERTY OF THE TECHNICAL MATERIEL CORP. ITS UNAUTHORIZED USE OR REPRODUCTION IN WHOLE OR IN PART IS STRICTLY FORBIDDEN.

REQ'D.	ITEM	PART NUMBER	DESCRIPTION	SYMBOL
SIMMONS LIST OF MATERIAL				
MATERIAL				
FINISH				
TITLE				
THE TECHNICAL MATERIEL CORP. MAMARONECK, NEW YORK				
DIAGRAM, SCHEMATIC, ELECTRICAL MODEL RTRS-1				
UNLESS OTHERWISE SPECIFIED DIMENSIONS ARE IN INCHES AND INCLUDE CHEMICALLY APPLIED OR PLATED FINISHES		DRAWN G. EVANGELIST 8-19-69		
DECIMALS .X ± .05 .XX ± .01 .XXX ± .005		DATE 8-19-69		
FRACTIONS ± 1/64 ± 0° 30'		ELECT. DES. MECH. DES.		
TOLERANCES		DATE		
		SHEET		
		REV. LTR.		

CK 1653