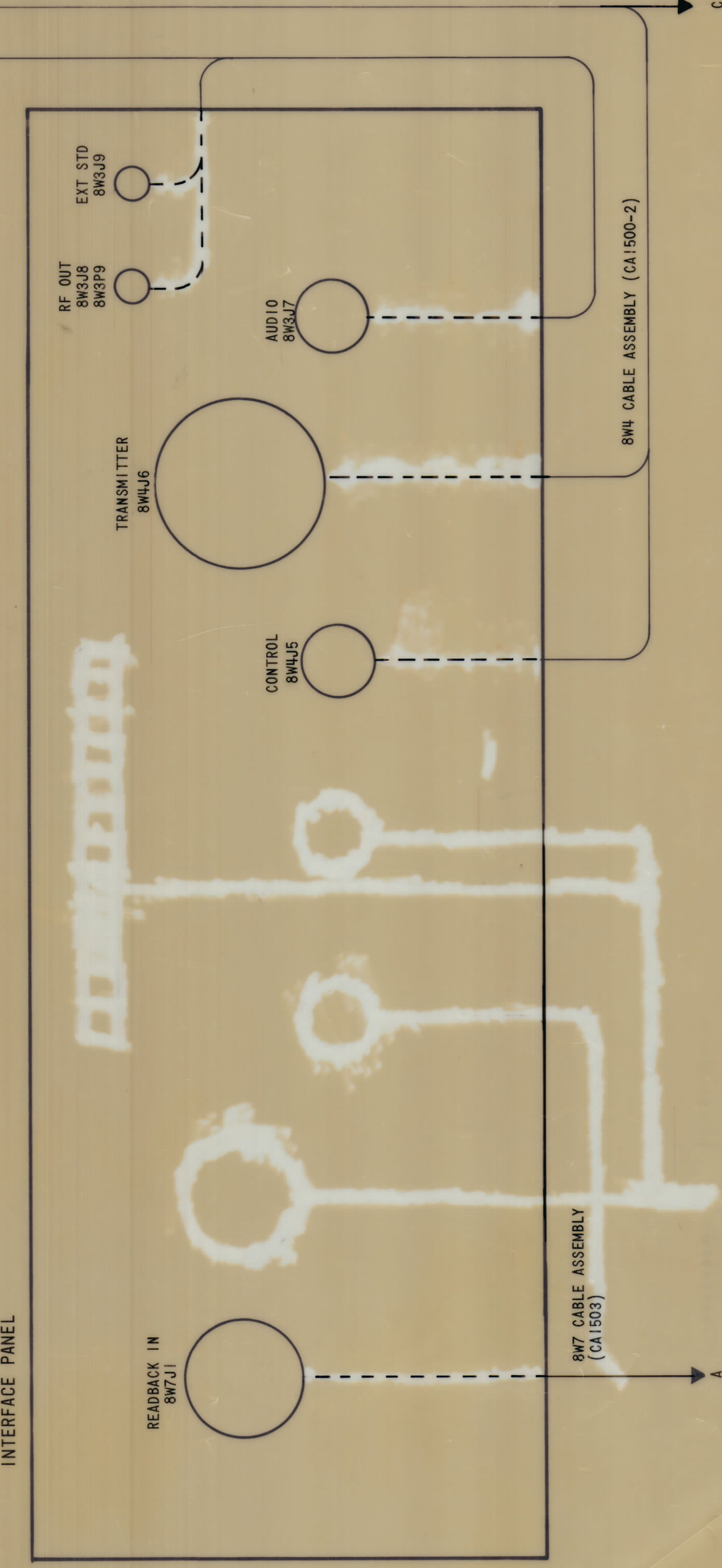
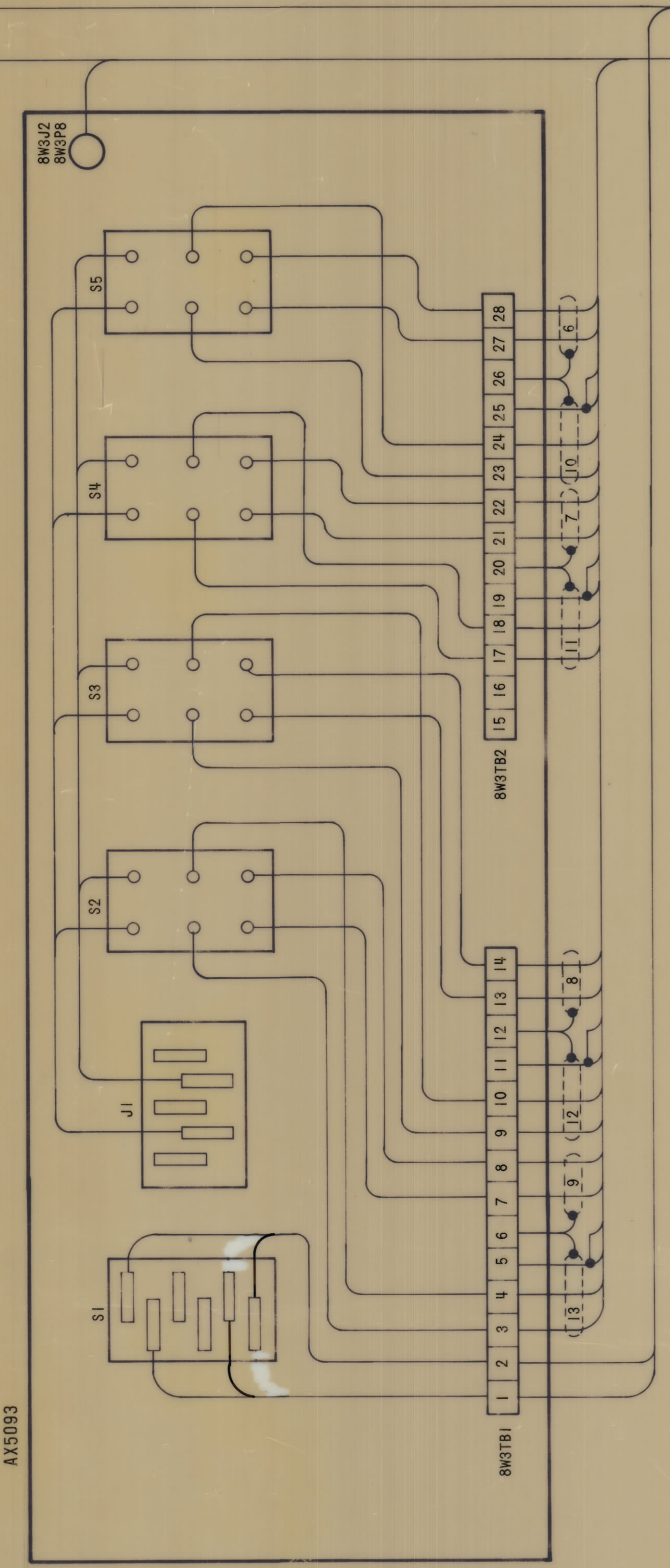
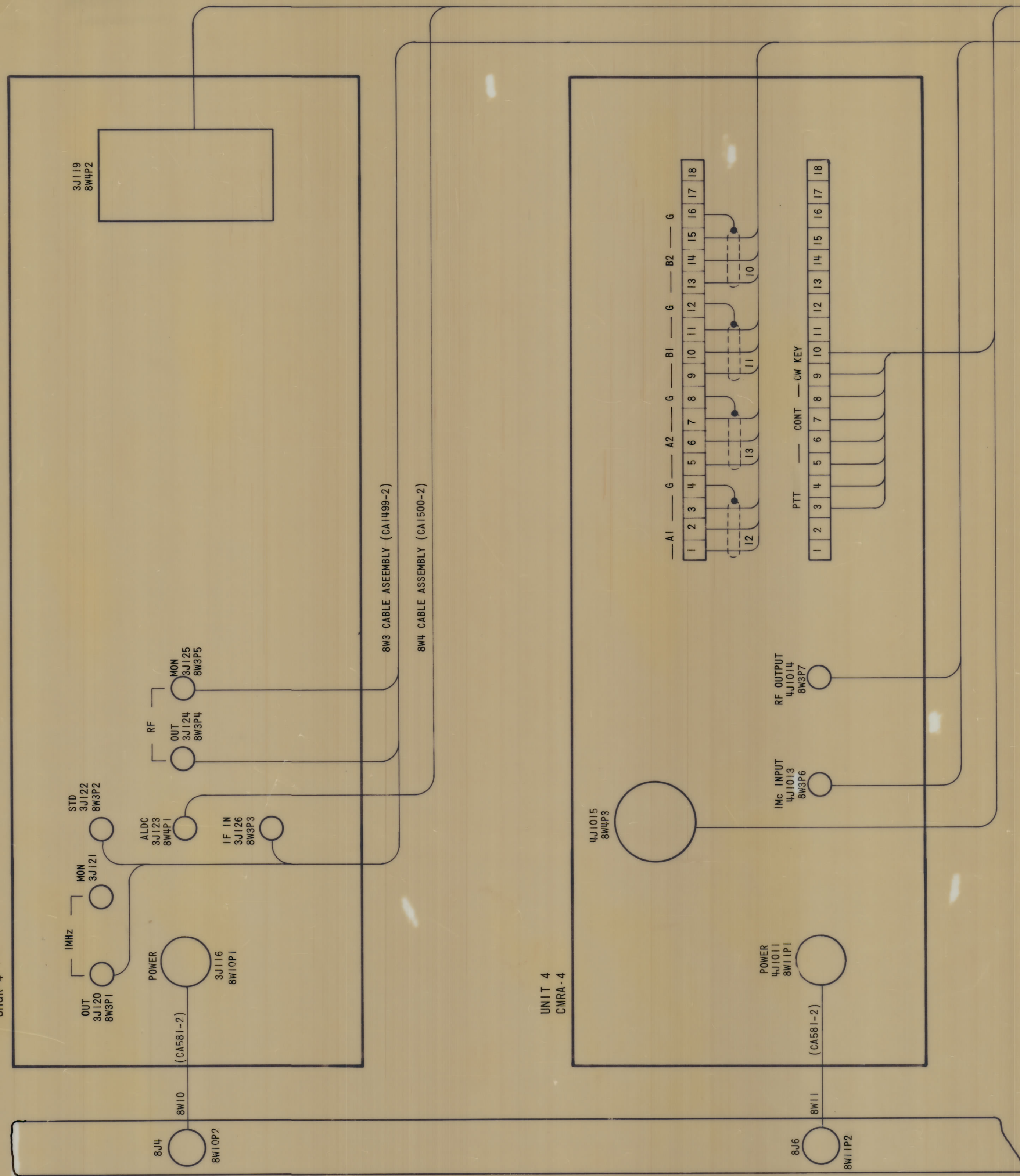


REVISIONS					DATE	APPROVED
E.M.N.NO	DRAFT	CHKD	ZONE	LTR	DESCRIPTION	
					ORIGINAL RELEASE FOR PRODUCTION	2/11/69



SBGR-4YA		
QTY / UNIT	MODEL USED ON	ASS'Y NO.
APPLICATION		
CODE		
NOTICE TO PERSONS RECEIVING THIS DRAWING		
THE TECHNICAL MATERIEL CORPORATION claims proprietary right in the material disclosed herein. This drawing is issued in confidence for engineering information only and may not be reproduced or used to manufacture anything shown hereon without permission from THE TECHNICAL MATERIEL CORPORATION to the user. This drawing is loaned for mutual assistance and is subject to recall at any time.		

UNLESS OTHERWISE SPECIFIED DIMENSIONS ARE IN INCHES AND INCLUDE CHEMICALLY APPLIED OR PLATED FINISHES	
TOLERANCES ON	
DECIMALS	FRACTIONS
.X = .05	= 1/64
.XX = .01	ANGLES
.XXX = .005	= 0° - 30'

QTY. REQ.	ITEM	PART NO.	DESCRIPTION	SYMBOL
LIST OF MATERIAL				
THE TECHNICAL MATERIEL CORP. MAMARONECK, NEW YORK				
SYNTHESIZER, ELECTRICAL FREQUENCY				
RAK 136-2				
INTERCONNECTION DIAGRAM				
SIZE	CODE IDENT NO.	DWG NO.	ISSUE	
D	82679	CK 1637	⊙	
SCALE NONE			SHEET 2 OF	

70%