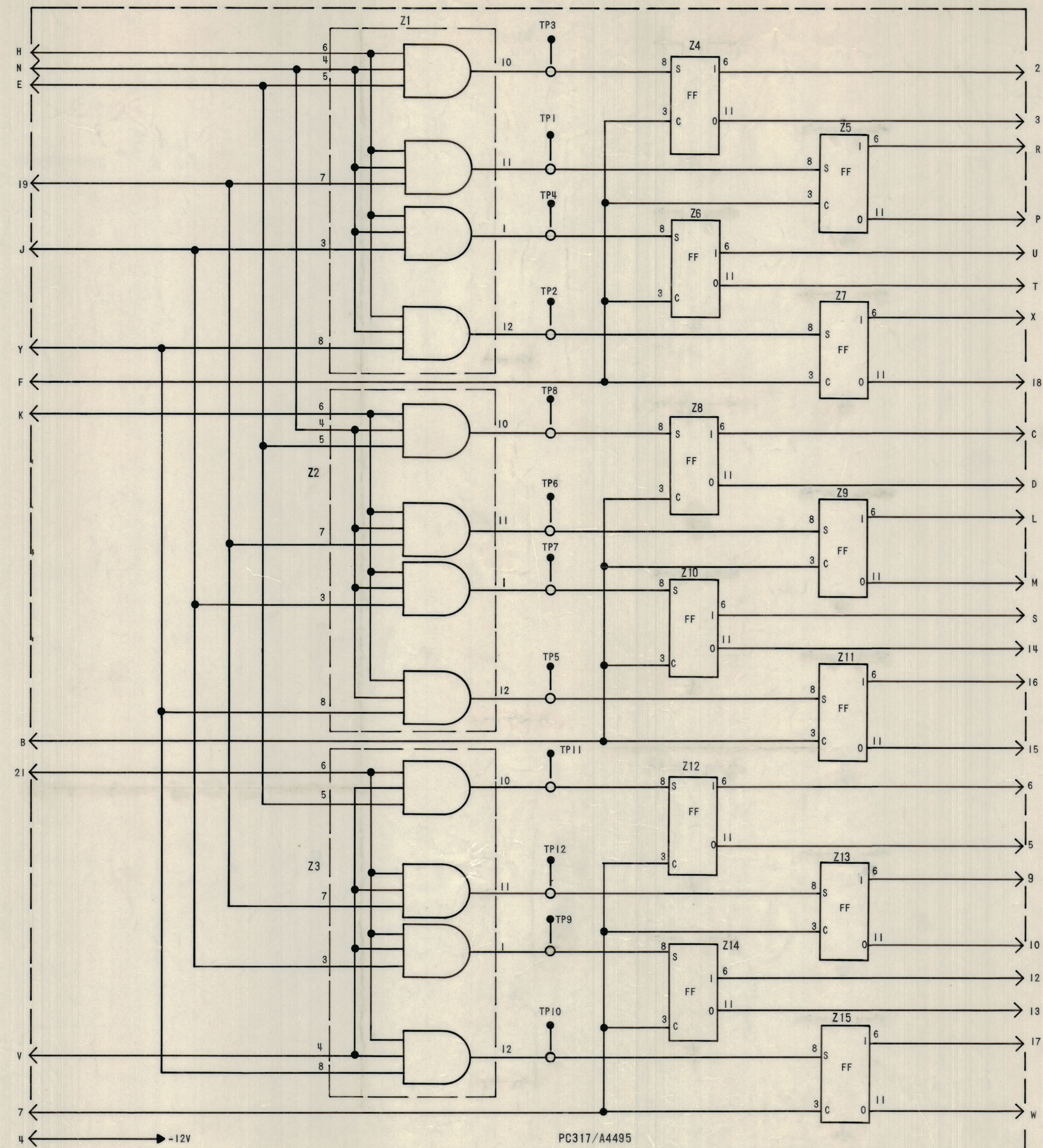


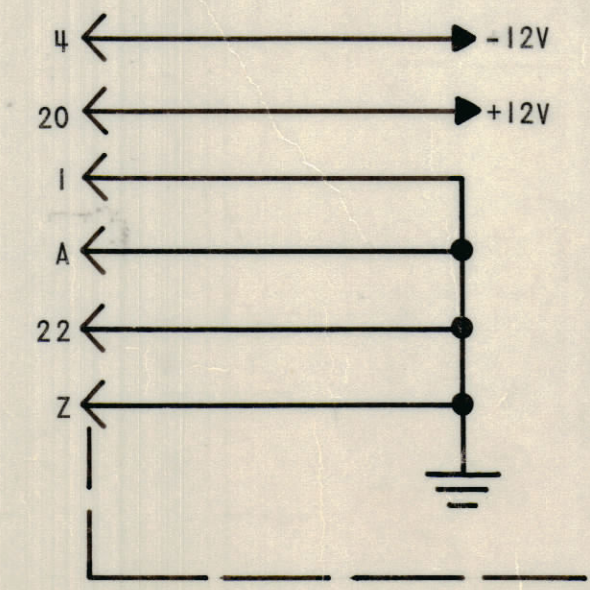
REVISIONS					DATE	APPROVED
E.M.N.O.	DRAFT	CHKD	ZONE	LTR	DESCRIPTION	
				X	EXP. RELEASE	6/25/69
				XI	TP10 WAS TP19	6/25/69
					ORIGINAL RELEASE FOR PRODUCTION	5/2/69



MODULE VOLTAGE & GND CHART			
SYMBOL	PIN CONNECTIONS		
	+12V	-12V	GND
Z1, Z2, Z3		2	
Z4 THRU Z15	10	2	5

LAST SYMBOL	MISSING SYMBOL
TP12	
Z15	

NOTE:  
1. PARTIAL REFERENCE DESIGNATIONS ARE SHOWN; FOR COMPLETE DESIGNATION, PREFIX WITH UNIT NUMBER AND SUB-ASSEMBLY DESIGNATION(S) AS APPLICABLE



PC317/A4495

5290  
5-15

QTY / UNIT	MODEL USED ON	ASS'Y NO.
2	RT1H-3,4	A4495
APPLICATION		
CODE		

UNLESS OTHERWISE SPECIFIED DIMENSIONS ARE IN INCHES AND INCLUDE CHEMICALLY APPLIED OR PLATED FINISHES	
TOLERANCES ON	
DECIMALS	FRACTIONS
.X ± .05	± 1/64
.XX ± .01	ANGLES
.XXX ± .005	± 0° -30'

QTY. REQ.	ITEM	PART NO.	DESCRIPTION	SYMBOL
LIST OF MATERIAL				
THE TECHNICAL MATERIEL CORP. MAMARONECK, NEW YORK				
DIAGRAM LOGIC FREQUENCY GATING				
SIZE	CODE	IDENT NO.	DWG NO.	ISSUE
D	82679	CK 1615		
SCALE NONE				SHEET OF