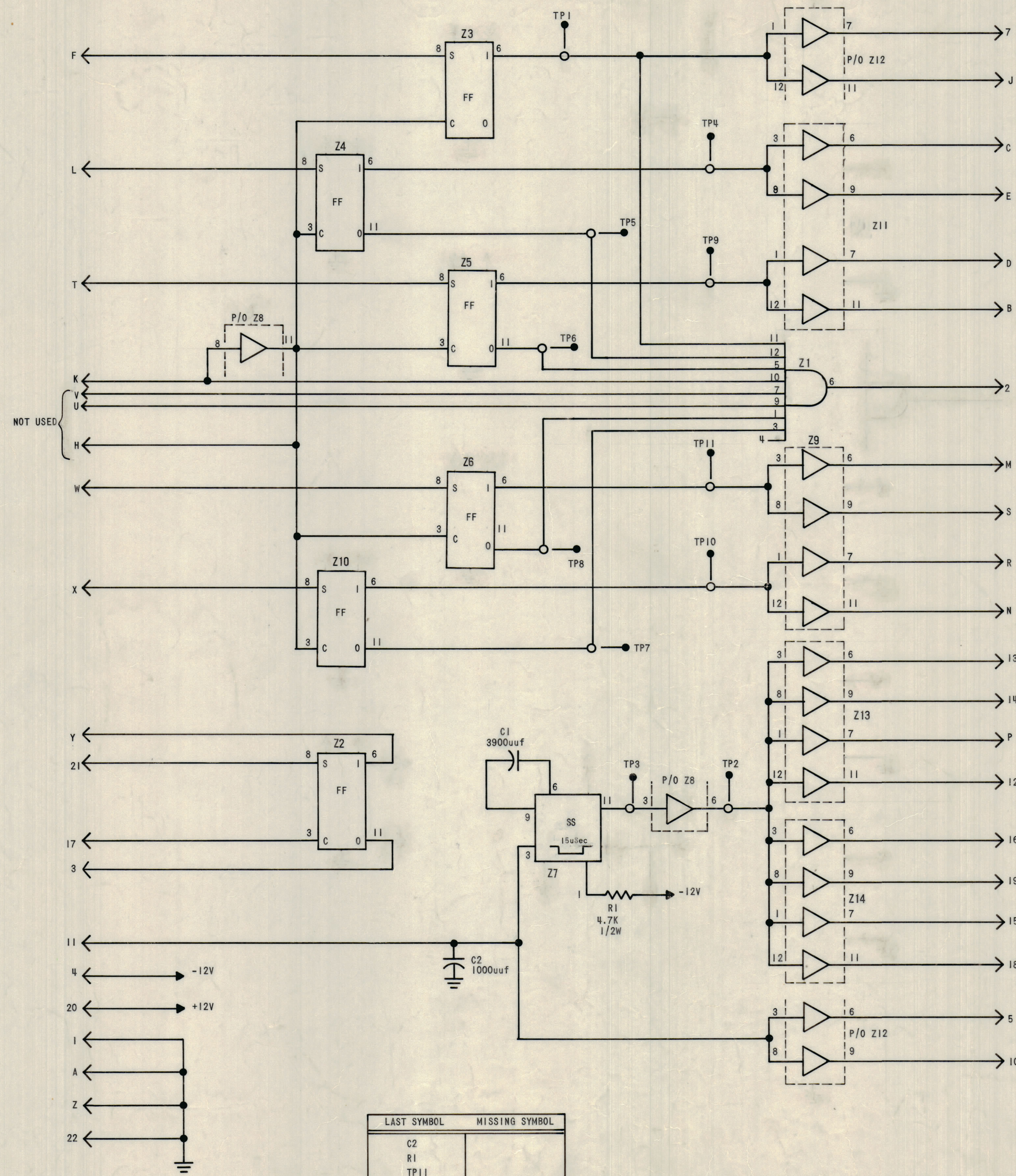


REVISIONS							
E.M.N.NO	DRAFT	CHKD	ZONE	LTR	DESCRIPTION	DATE	APPROVED
ZH	1			X	EXP. RELEASE	6/19/69	
GE	0			0	ORIGINAL RELEASE FOR PRODUCTION	8/2/69	



MODULE VOLTAGE AND GND CHART			
SYMBOL	PIN CONNECTIONS		
	+12V	-12V	GND
Z1		2	
Z1 THRU Z7, Z10	10	2	5
Z8, Z9, Z11 THRU Z14		2	5

NOTE:  
 1. PARTIAL REFERENCE DESIGNATIONS ARE SHOWN; FOR COMPLETE DESIGNATION, PREFIX WITH UNIT NUMBER AND SUB-ASSEMBLY DESIGNATION(S) AS APPLICABLE

LAST SYMBOL	MISSING SYMBOL
C2	
R1	
TP11	
Z14	

I	RT1H-3,4	A4530
QTY / UNIT	MODEL USED ON	ASS'Y NO.
APPLICATION		
CODE		
MATERIAL		
FINISH		

UNLESS OTHERWISE SPECIFIED DIMENSIONS ARE IN INCHES AND INCLUDE CHEMICALLY APPLIED OR PLATED FINISHES	
TOLERANCES ON	
DECIMALS	FRACTIONS
.X ± .05	1/64
.XX ± .01	ANGLES
.XXX ± .005	± 0° - 30°

QTY. REQ.	ITEM	PART NO.	DESCRIPTION	SYMBOL
LIST OF MATERIAL				
FINAL APPROVAL: <i>[Signature]</i> DATE: 8-1-69 MECH. DES.: <i>[Signature]</i> DATE: 8-7-69 ELECT. DES.: <i>[Signature]</i> DATE: 8-7-69 CHECKED: <i>[Signature]</i> DATE: 8/19/69 DRAWN: <i>[Signature]</i> DATE: 6-3-69				
<b>THE TECHNICAL MATERIEL CORP.</b> MAMARONECK, NEW YORK <b>DIAGRAM LOGIC</b> <b>TIMING CIRCUIT</b>				
SIZE	CODE	IDENT NO.	DWG NO.	ISSUE
D	82679		CK 1613	
SCALE NONE				SHEET OF

50%  
5-19