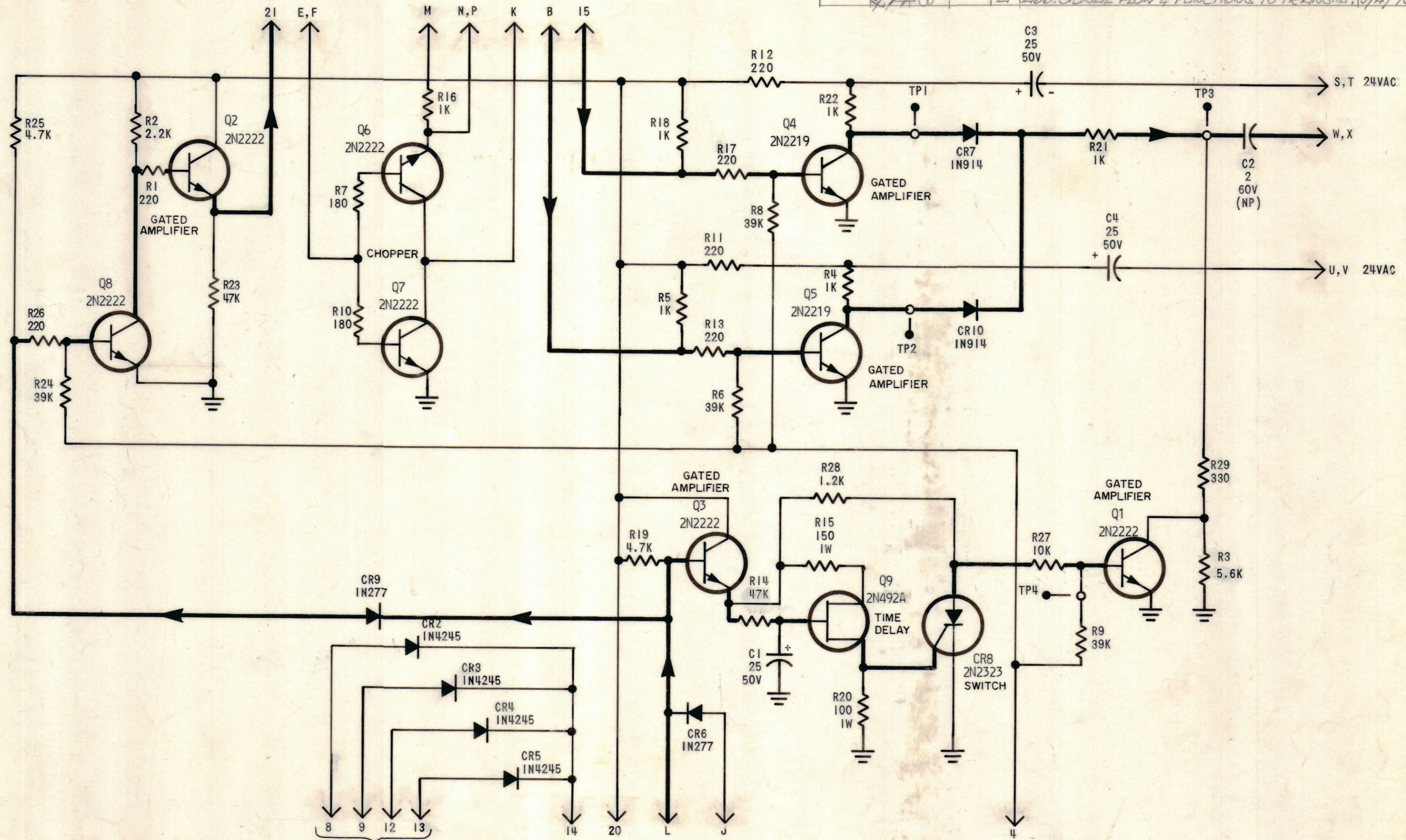


REVISIONS							
E.M.N.NO	DRAFT	CHKD	ZONE	LTR	DESCRIPTION	DATE	APPROVED
	45	Joa		K	EXP. RELEASE	6/19/69	JD
				Ø	ORIGINAL RELEASE FOR PRODUCTION	8/18/69	
				Δ	ADD. SIGNAL FLOW & FUNCTIONS TO TRANSIST.	9/14/70	CU/SD



UNLESS OTHERWISE SPECIFIED:

- ALL RESISTANCE VALUES ARE IN OHMS, 1/4 WATT
- ALL CAPACITANCE VALUES ARE IN MICROFARADS

NOTE:
 1. PARTIAL REFERENCE DESIGNATIONS ARE SHOWN; FOR COMPLETE DESIGNATIONS, PREFIX WITH UNIT NUMBER AND SUB-ASSEMBLY DESIGNATION(S) AS APPLICABLE

BANDSWITCH
 RELAY COILS

LAST SYMBOL	MISSING SYMBOL
C4	CR1
CR10	
Q9	
R29	
TP4	

RTTD-4	A4613
QTY / UNIT	MODEL USED ON
APPLICATION	
CODE	

NOTICE TO PERSONS RECEIVING THIS DRAWING
 THE TECHNICAL MATERIEL CORPORATION claims proprietary right in the material disclosed hereon. This drawing is issued in confidence for engineering information only and may not be reproduced or used to manufacture anything shown hereon without permission from THE TECHNICAL MATERIEL CORPORATION to the user. This drawing is loaned for mutual assistance and is subject to recall at any time.

UNLESS OTHERWISE SPECIFIED DIMENSIONS ARE IN INCHES AND INCLUDE CHEMICALLY APPLIED OR PLATED FINISHES

TOLERANCES ON	
DECIMALS	FRACTIONS
.X ± .05	± 1/64
.XX ± .01	ANGLES
.XXX ± .005	± 0° -30'

MATERIAL	
FINISH	

PC386/A4613

QTY. REQ.	ITEM	PART NO.	DESCRIPTION	SYMBOL
LIST OF MATERIAL				
THE TECHNICAL MATERIEL CORP. MAMARONECK, NEW YORK				
DIAGRAM SCHEMATIC				
INPUT SERVO CARD				
SIZE	CODE	IDENT NO.	DWG NO.	ISSUE
C	82679	CK1605		A
SCALE		SHEET		OF

FINAL APPROVAL	DATE
<i>[Signature]</i>	8/18/69
MECH. DES.	DATE
<i>R. Uzzo</i>	8-4-69
ELECT. DES.	DATE
CHECKED	DATE
DRAWN	DATE
<i>G. EVANGELIST</i>	6.18.69