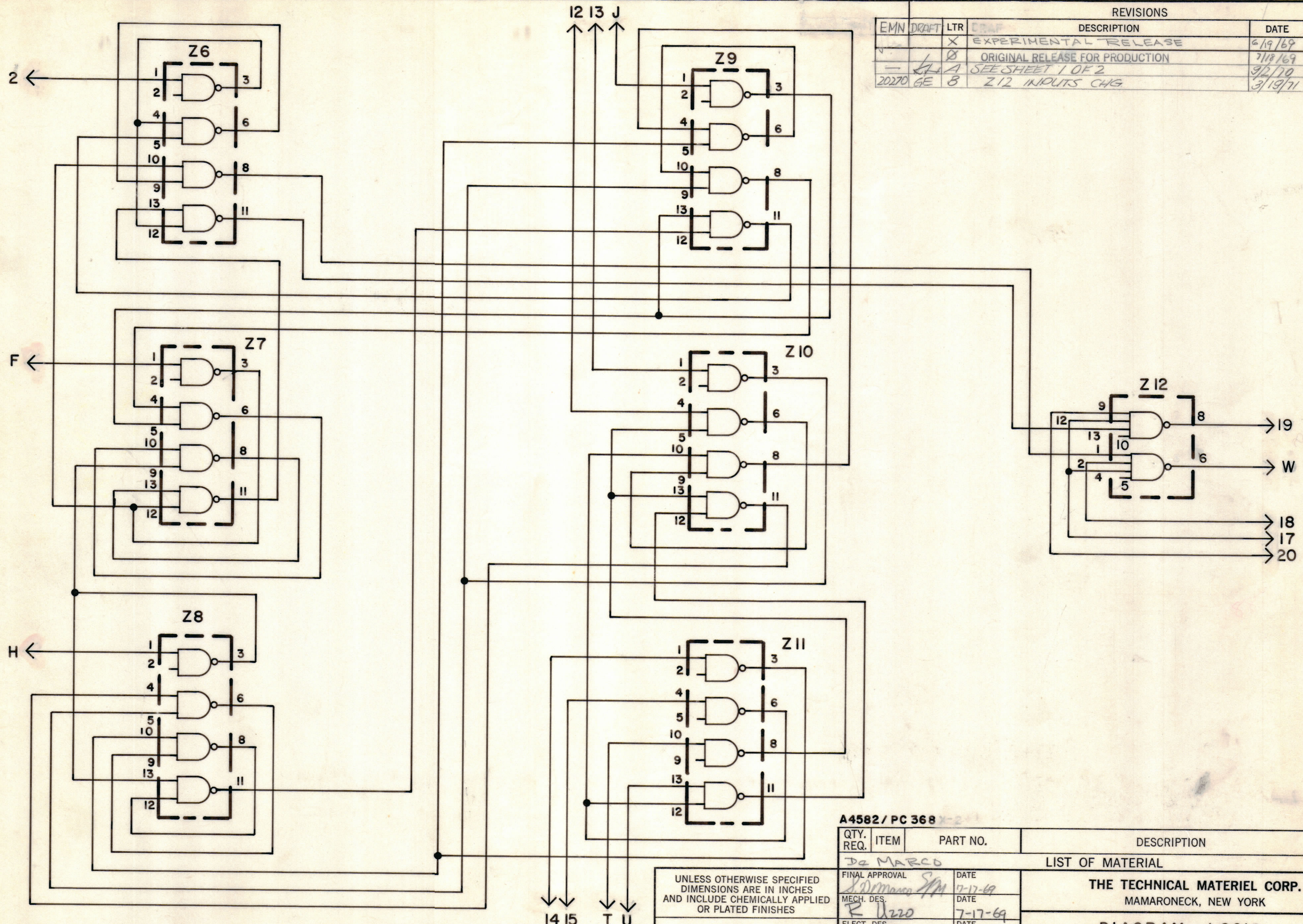


REVISIONS					
EMN	DRAFT	LTR	DESCRIPTION	DATE	APPROVED
		X	EXPERIMENTAL RELEASE	6/19/69	
		B	ORIGINAL RELEASE FOR PRODUCTION	7/19/69	
		A	SEE SHEET 1 OF 2	9/2/70	W/SD
20270	GE	B	Z12 INPUTS CHG	3/19/71	W/Red



1	RTTD-4	A 4582
QTY / UNIT	MODEL USED ON	ASS'Y NO.
APPLICATION		
CODE		

NOTICE TO PERSONS RECEIVING THIS DRAWING
 THE TECHNICAL MATERIEL CORPORATION claims proprietary right in the material disclosed hereon. This drawing is issued in confidence for engineering information only and may not be reproduced or used to manufacture anything shown hereon without permission from THE TECHNICAL MATERIEL CORPORATION to the user. This drawing is loaned for mutual assistance and is subject to recall at any time.

UNLESS OTHERWISE SPECIFIED
 DIMENSIONS ARE IN INCHES
 AND INCLUDE CHEMICALLY APPLIED
 OR PLATED FINISHES

TOLERANCES ON

DECIMALS	FRACTIONS
.X ± .05	± 1/64
.XX ± .01	ANGLES
.XXX ± .005	± 0° -30'

A4582 / PC 368		LIST OF MATERIAL	
QTY. REQ.	ITEM	PART NO.	DESCRIPTION
	De MARCO		
FINAL APPROVAL	DATE	THE TECHNICAL MATERIEL CORP.	
<i>[Signature]</i>	7-17-69	MAMARONECK, NEW YORK	
MECH. DES.	DATE	DIAGRAM LOGIC	
R 0220	7-17-69	COMPARATOR PRIORITY	
ELECT. DES.	DATE	SIZE CODE IDENT NO. DWG NO.	
CHECKED	DATE	C 82679	CK 1603
<i>[Signature]</i>	6-19-69	ISSUE	
DRAWN	DATE	SCALE	
G. EVANGELIST	JUN 19 69	SHEET 2 OF 2	

CK 1603
 B