

LAST SYMBOL	MISSING SYMBOL
CR102	
K102	
S114	

REVISIONS

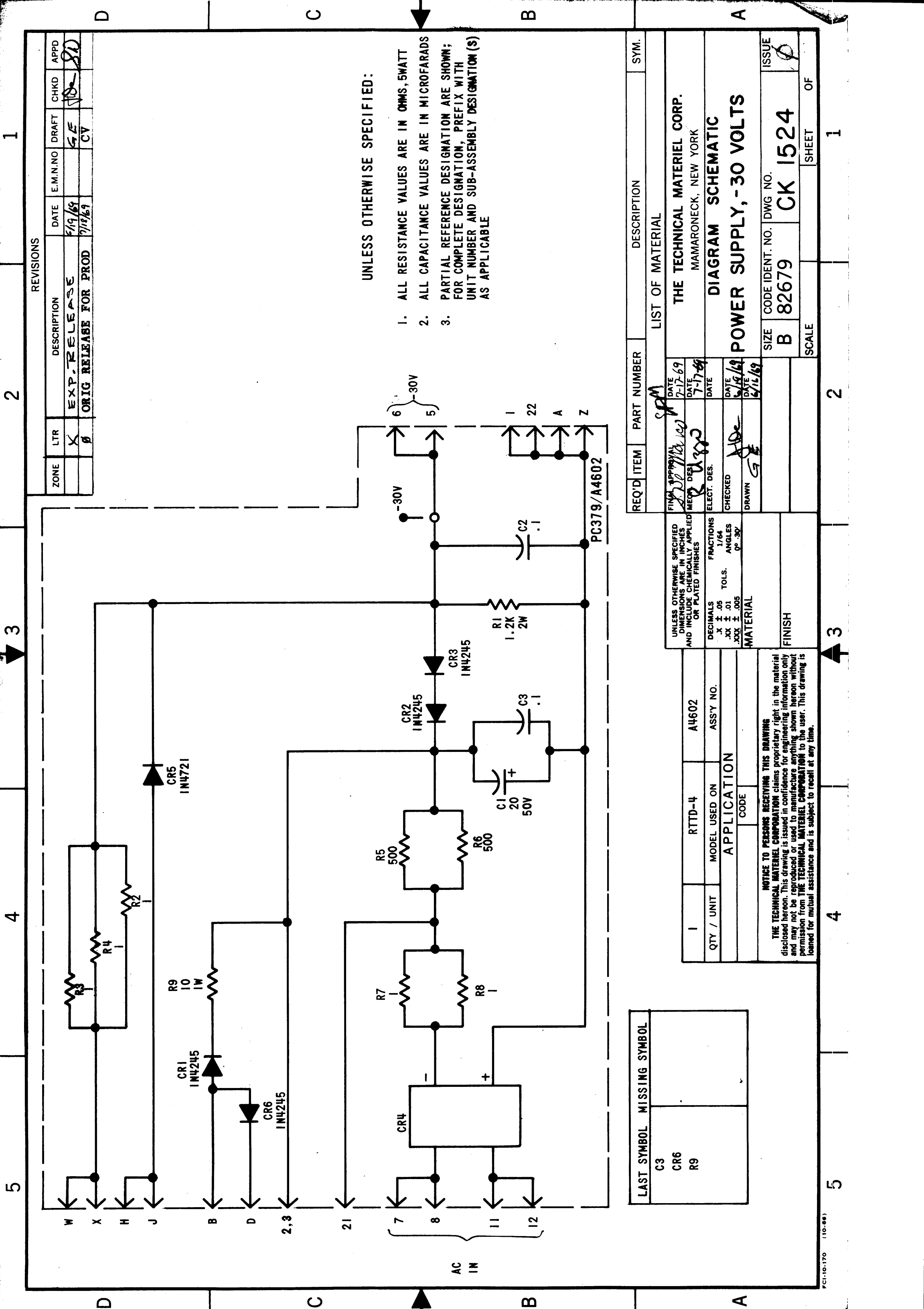
ZONE	LTR	DESCRIPTION	DATE	E.M.N.NO	DRAFT	CHKD	APPD
	X	EXP. RELEASE	6.11.68	+	HS	HS	HS
	B	ORIG. RELEASE FOR PROD.	6.21.68		RG	RG	RG
	A	CHEMLOD TO KIMX () 2	1/5/71	20186	GE	GE	GE

REQ'D ITEM	PART NUMBER	DESCRIPTION	SYM.
O. POSE		LIST OF MATERIAL	
FINAL APPROVAL		DATE	
MECH. DES.		DATE	
ELECT. DES.		DATE	
CHECKED		DATE	
DRAWN		DATE	

UNLESS OTHERWISE SPECIFIED DIMENSIONS ARE IN INCHES AND INCLUDE CHEMICALLY APPLIED OR PLATED FINISHES	FRACTIONS	1/64
DECIMALS	TOLS.	.XX ± .01
	ANGLES	0° .30'
MATERIAL		
FINISH		

QTY / UNIT	MODEL USED ON	ASS'Y NO.
1	MMX () 2	
APPLICATION		
CODE		
<p>NOTICE TO PERSONS RECEIVING THIS DRAWING</p> <p>THE TECHNICAL MATERIEL CORPORATION claims proprietary right in the material disclosed hereon. This drawing is issued in confidence for engineering information only and may not be reproduced or used to manufacture anything shown hereon without permission from THE TECHNICAL MATERIEL CORPORATION to the user. This drawing is loaned for mutual assistance and is subject to recall at any time.</p>		

THE TECHNICAL MATERIEL CORP.	MAMARONECK, NEW YORK		
DIAGRAM SCHEMATIC	(KEYING CKT)		
SIZE	CODE IDENT. NO.	DWG NO.	ISSUE
B	82679	CK1520	A
SCALE		SHEET	OF
		2	1



UNLESS OTHERWISE SPECIFIED:

1. ALL RESISTANCE VALUES ARE IN OHMS, 5WATT
2. ALL CAPACITANCE VALUES ARE IN MICROFARADS
3. PARTIAL REFERENCE DESIGNATION ARE SHOWN; FOR COMPLETE DESIGNATION, PREFIX WITH UNIT NUMBER AND SUB-ASSEMBLY DESIGNATION (S) AS APPLICABLE

REVISIONS					
ZONE	LTR	DESCRIPTION	DATE	E.M.N.NO	APPD
	X	EXP. RELEASE	5/19/69	GF	SD
	Ø	ORIG RELEASE FOR PROD	7/15/69	CV	

REQ'D ITEM	PART NUMBER	DESCRIPTION	SYM.
LIST OF MATERIAL			
THE TECHNICAL MATERIEL CORP. MAMARONECK, NEW YORK			
DIAGRAM SCHEMATIC			
POWER SUPPLY, -30 VOLTS			
SIZE	CODE IDENT. NO.	DWG NO.	ISSUE
B	82679	CK 1524	Ø
SCALE	SHEET	OF	
	1	1	

QTY / UNIT	MODEL USED ON	ASSY NO.
1	RTTD-4	A4602
APPLICATION		
CODE		

UNLESS OTHERWISE SPECIFIED DIMENSIONS ARE IN INCHES AND INCLUDE CHEMICALLY APPLIED OR PLATED FINISHES

DECIMALS: .X ± .05
 .XX ± .01
 .XXX ± .005

FRACTIONS: 1/64
 TOLS. ANGLES: 90°-30'

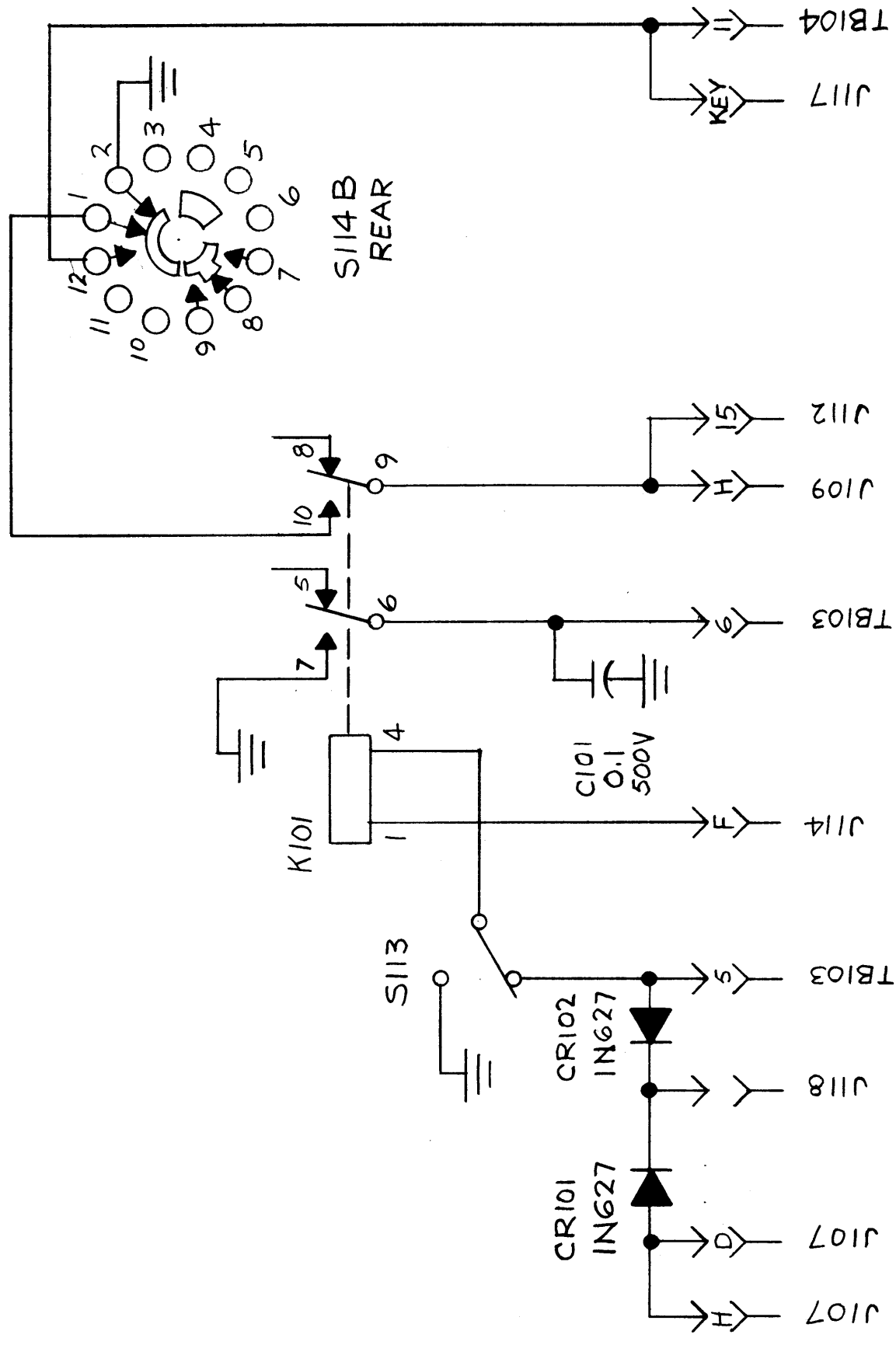
MATERIAL: FINISH

NOTICE TO PERSONS RECEIVING THIS DRAWING
 THE TECHNICAL MATERIEL CORPORATION claims proprietary right in the material disclosed hereon. This drawing is issued in confidence for engineering information only and may not be reproduced or used to manufacture anything shown hereon without permission from THE TECHNICAL MATERIEL CORPORATION to the user. This drawing is loaned for mutual assistance and is subject to recall at any time.

LAST SYMBOL	MISSING SYMBOL
C3	
CR6	
R9	

REVISIONS							
ZONE	LTR	DESCRIPTION	DATE	E.M.N.NO	DRAFT	CHKD	APPD
	X	EXP. RELEASE	7.1.68		AS.	MM	MM
	Ø	ORIG. RELEASE FOR PROD.	3/21/69		RG		

100 SERIES	
LAST SYMBOL	MISSING SYMBOL
C101	
CR102	
K101	
S114	S101 - S112



REQ'D ITEM	PART NUMBER	DESCRIPTION	SYM.
F. BUDETTI			
LIST OF MATERIAL			
THE TECHNICAL MATERIEL CORP. MAMARONECK, NEW YORK			
DIAGRAM, SCHEMATIC MODIFICATION FOR MMX 1KW XMTR			
SIZE	CODE IDENT. NO.	DWG NO.	ISSUE
B	82679	CK 1538	Ø
SCALE	SHEET		OF
	1		1

FINAL APPROVAL	DATE	MECH. DES.	DATE	ELECT. DES.	DATE	CHECKED	DATE	DRAWN	DATE
<i>[Signature]</i>	7.1.68	<i>[Signature]</i>	7.1.68	<i>[Signature]</i>	3.18.69	<i>[Signature]</i>	7.1.68	AS.	7.1.68

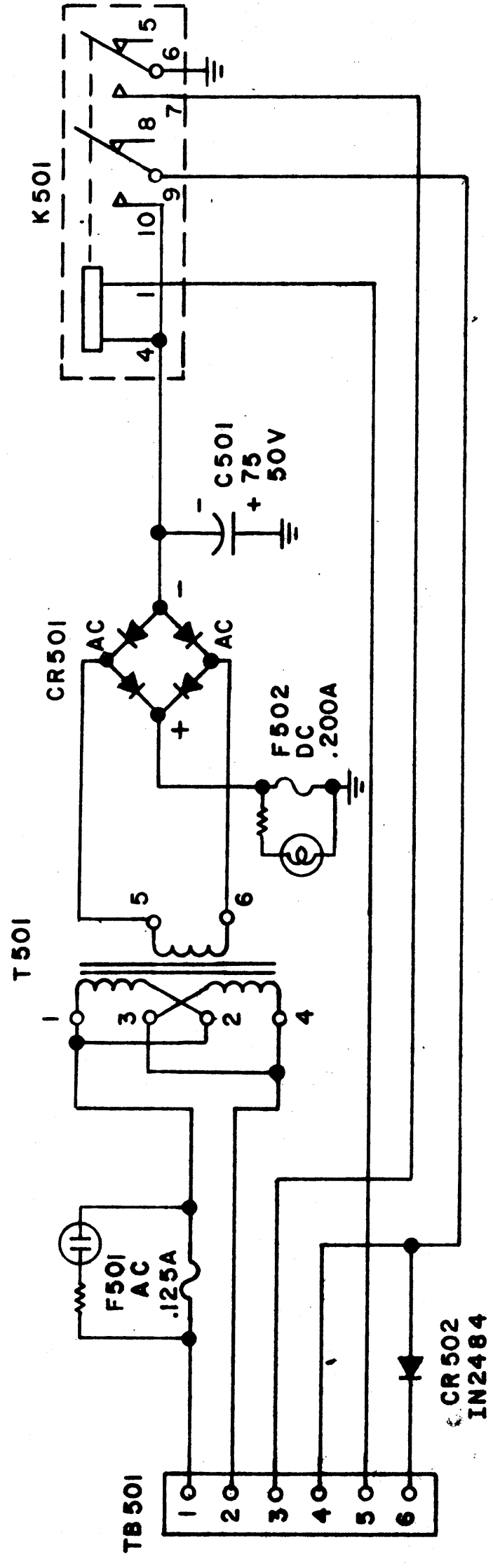
UNLESS OTHERWISE SPECIFIED DIMENSIONS ARE IN INCHES AND INCLUDE CHEMICALLY APPLIED OR PLATED FINISHES	DECIMALS	FRACTIONS	TOLS.	ANGLES	MATERIAL	FINISH
	.X ± .05	1/64		0° .30'		
	.XX ± .01					
	.XXX ± .005					

QTY / UNIT	MODEL USED ON	ASSY NO.
	SBTM-1KJD	
APPLICATION		
	CODE	

NOTICE TO PERSONS RECEIVING THIS DRAWING
 THE TECHNICAL MATERIEL CORPORATION claims proprietary right in the material disclosed hereon. This drawing is issued in confidence for engineering information only and may not be reproduced or used to manufacture anything shown hereon without permission from THE TECHNICAL MATERIEL CORPORATION to the user. This drawing is loaned for mutual assistance and is subject to recall at any time.

5 4 3 2 1

LAST SYMBOLS	MISSING SYMBOLS
C501	
TB501	
F502	
K501	
T501	



Out to Publications

REVISIONS							
ZONE	LTR	DESCRIPTION	DATE	E.M.N.O	DRAFT	CHKD	APPD
	X	EXP. RELEASE	9-11-68		GDL		
	M	ORIG. RELEASE FOR PROD		Ø	R.G.		
	A	EXP. RELEASE Z/10					

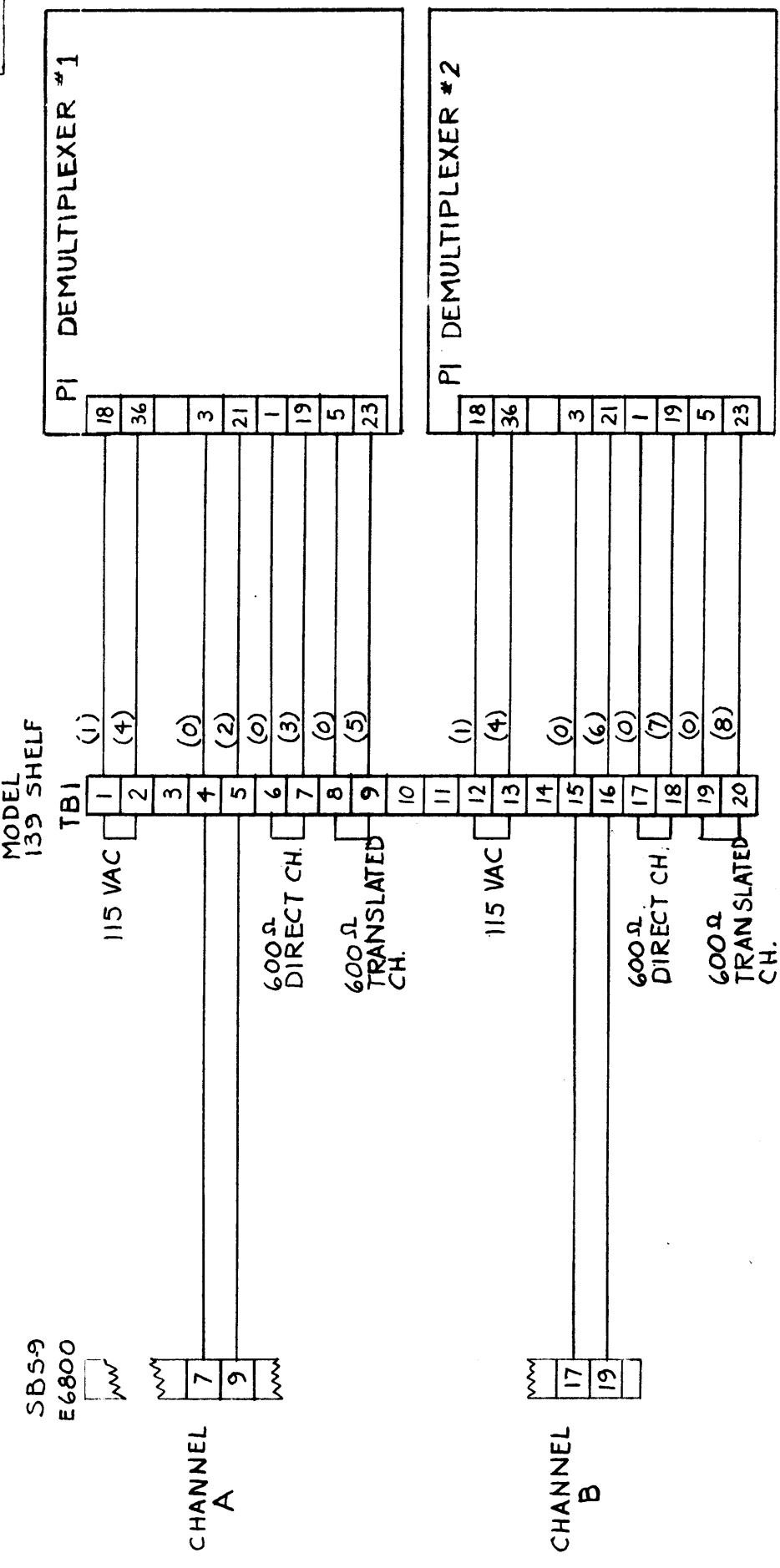
REQ'D ITEM	PART NUMBER	DESCRIPTION	SYM.
LIST OF MATERIAL			
THE TECHNICAL MATERIEL CORP. MAMARONECK, NEW YORK			
DIAGRAM, SCHEMATIC			
SIZE	CODE IDENT. NO.	DWG NO.	ISSUE
B	82679	CK1556	A
SCALE	SHEET 1		

UNLESS OTHERWISE SPECIFIED DIMENSIONS ARE IN INCHES AND INCLUDE UNLESS SPECIFIED OR RELATED PARTS	DATE 9-11-68
DECIMALS X ± .05	FUNCTIONS 9-11-68
XX ± .01	TOLS. 1/64
XXX ± .005	ANGLES Ø .01
DRAWN G.D.L.	
FINISH	

QTY / UNIT	MODEL USED ON	ASS'Y NO.
1	AP145	
APPLICATION		
CODE		
<p>NOTICE TO ENGINEERS RECEIVING THIS DRAWING THE TECHNICAL MATERIEL CORP. MAKES NO WARRANTY AS TO THE MATERIAL SPECIFIED HEREIN. THIS DRAWING IS ISSUED IN CONNECTION WITH THE MATERIAL AND MAY NOT BE REPRODUCED OR TRANSMITTED IN ANY FORM OR BY ANY MEANS WITHOUT THE WRITTEN PERMISSION OF THE TECHNICAL MATERIEL CORP. FOR ANY PURPOSES OTHER THAN THAT FOR WHICH IT WAS PREPARED.</p>		

5 4 3 2 1

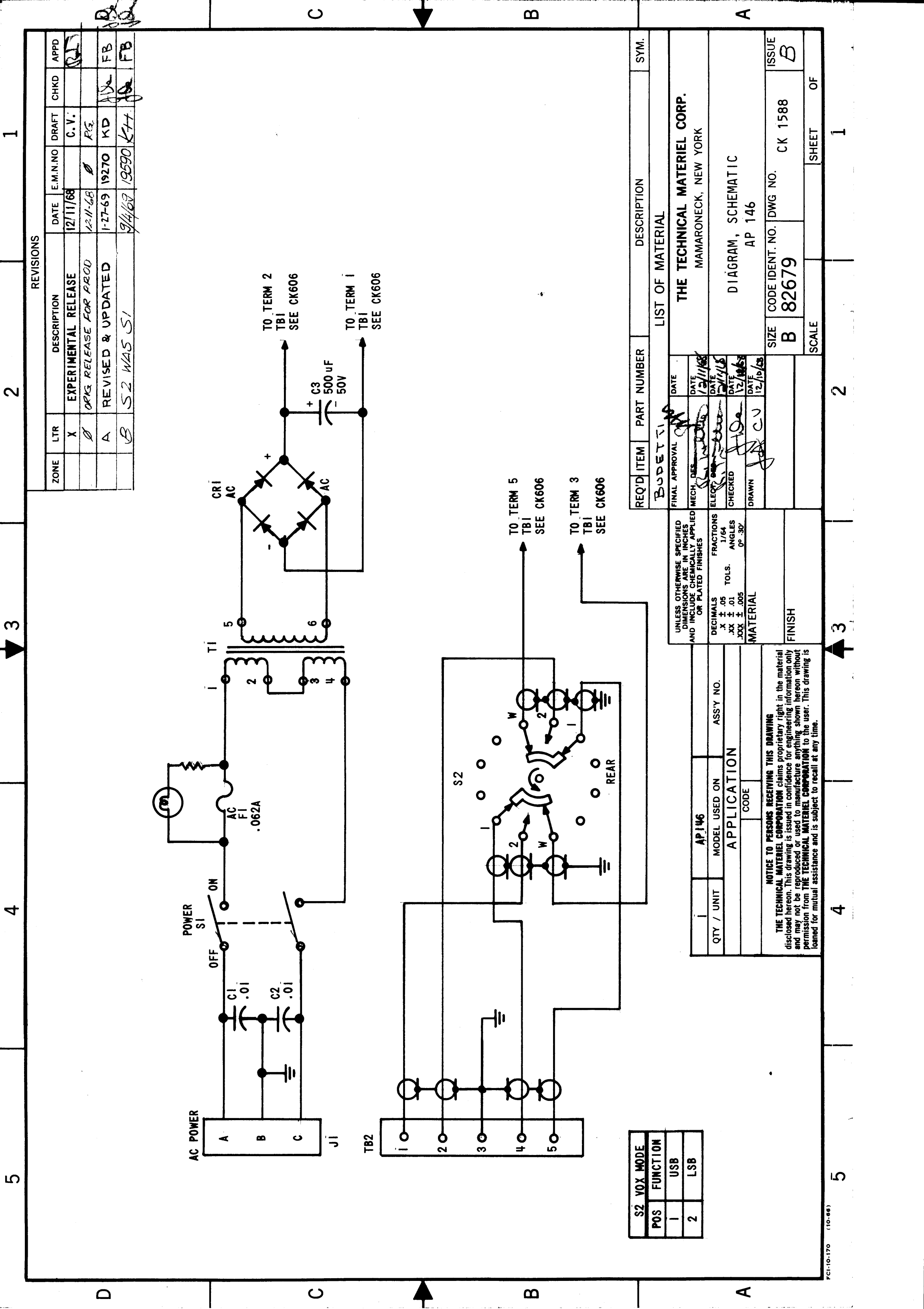
REVISIONS				
ZONE	LTR	DESCRIPTION	DATE	E.M.N.NO
Ø	Ø	ORIG. RELEASE FOR PROD	10-24-68	Ø
				R.G.



REQ'D ITEM	PART NUMBER	DESCRIPTION	SYM.
LIST OF MATERIAL			
THE TECHNICAL MATERIEL CORP. MAMARONECK, NEW YORK			
SBC-10 INTERCONNECT WIRING DIA.			
FINAL APPROVAL	DATE	MECH. DES.	DATE
<i>SPM</i>	10/24/68		
ELECT. DES.	DATE	CHECKED	DATE
<i>PC</i>	10/24/68	<i>SP</i>	10/24/68
DRAWN	DATE		
<i>C.S.R.O.B</i>	10/21/68		

UNLESS OTHERWISE SPECIFIED DIMENSIONS ARE IN INCHES AND INCLUDE CHEMICALLY APPLIED OR PLATED FINISHES	DECIMALS .X ± .05 .XX ± .01 .XXX ± .005	FRACTIONS 1/64	TOLS. ANGLES 0°-30'
MATERIAL			
FINISH			

QTY / UNIT	MODEL USED ON	ASSY NO.
	SBC-10	
APPLICATION		
CODE		
<p>NOTICE TO PERSONS RECEIVING THIS DRAWING</p> <p>THE TECHNICAL MATERIEL CORPORATION claims proprietary right in the material disclosed hereon. This drawing is issued in confidence for engineering information only and may not be reproduced or used to manufacture anything shown hereon without permission from THE TECHNICAL MATERIEL CORPORATION to the user. This drawing is loaned for mutual assistance and is subject to recall at any time.</p>		



REVISIONS

ZONE	LTR	DESCRIPTION	DATE	E.M.N. NO	DRAFT	CHKD	APPD
	X	EXPERIMENTAL RELEASE	12/11/68		C.V.		
		ORIG RELEASE FOR PROD	12-11-68		RE		
	A	REVISED & UPDATED	1-27-69	19270	KD		FB
	B	S2 WAS S1	9/4/69	19590	K77		FB

S2 VOX MODE	
POS	FUNCTION
1	USB
2	LSB

QTY / UNIT	MODEL USED ON	ASSY NO.
	AP 146	
APPLICATION		
	CODE	

NOTICE TO PERSONS RECEIVING THIS DRAWING
 THE TECHNICAL MATERIEL CORPORATION claims proprietary right in the material disclosed hereon. This drawing is issued in confidence for engineering information only and may not be reproduced or used to manufacture anything shown hereon without permission from THE TECHNICAL MATERIEL CORPORATION to the user. This drawing is loaned for mutual assistance and is subject to recall at any time.

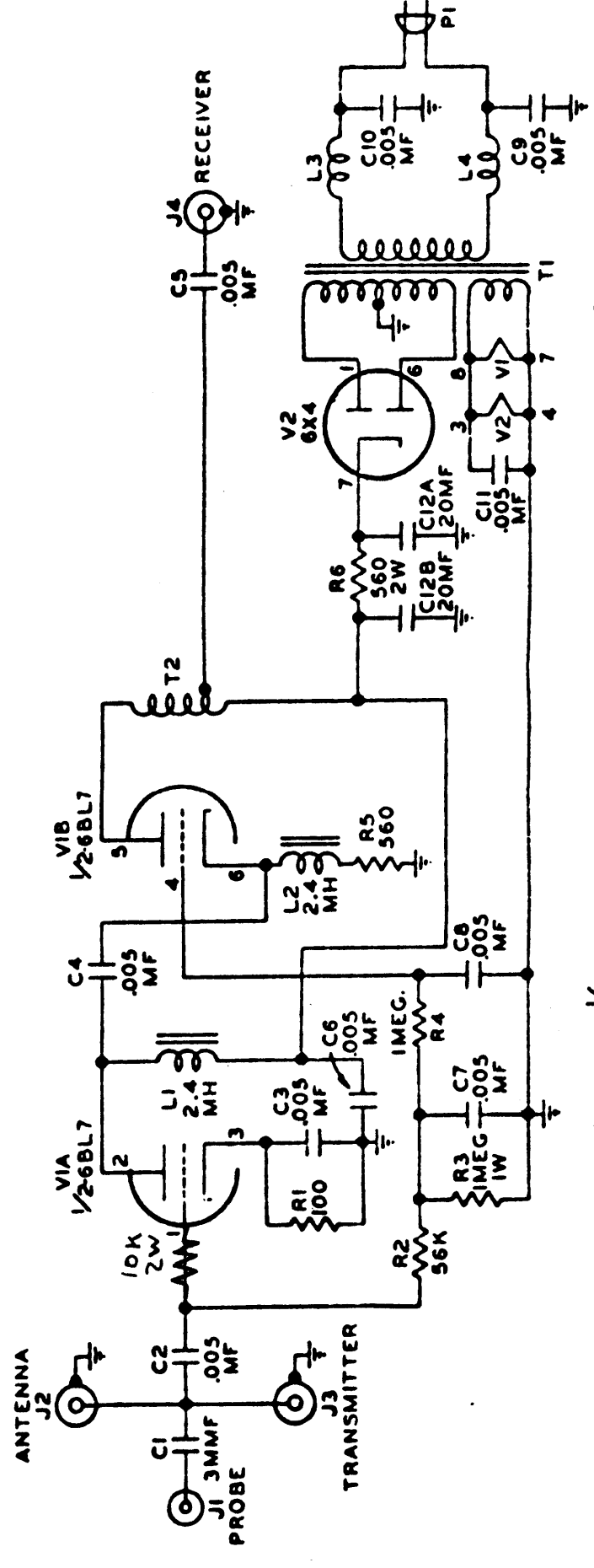
UNLESS OTHERWISE SPECIFIED DIMENSIONS ARE IN INCHES AND INCLUDE CHEMICALLY APPLIED OR PLATED FINISHES	DECIMALS	FRACTIONS
.X ± .05	.XX ± .01	1/64
.XXX ± .005		ANGLES
		0° .30'

REQ'D ITEM	PART NUMBER	DESCRIPTION	SYM.
LIST OF MATERIAL			
THE TECHNICAL MATERIEL CORP. MAMARONECK, NEW YORK			
DIAGRAM, SCHEMATIC AP 146			
SIZE	CODE IDENT. NO.	DWG NO.	ISSUE
B	82679	CK 1588	B
SCALE		SHEET	OF

FINAL APPROVAL	DATE
<i>[Signature]</i>	12/11/68
MECH DES	DATE
<i>[Signature]</i>	2/1/68
ELECT	DATE
<i>[Signature]</i>	2/1/68
CHECKED	DATE
<i>[Signature]</i>	12/10/68
DRAWN	DATE
<i>[Signature]</i>	12/10/68

5 4 3 2 1

REVISIONS					
ZONE	LTR	DESCRIPTION	DATE	E.M.N.O	APPD
	X	EXPERIMENTAL RELEASE	12/10/68		
	Ø	ORIG. RELEASE FOR PROD	12-10-68	Ø	R.G.



1-2-58
 ALL RESISTORS 1/2 WATT UNLESS OTHERWISE SPECIFIED
 ALL RESISTANCE VALUES IN OHMS UNLESS OTHERWISE SPECIFIED

REQ'D ITEM	PART NUMBER	DESCRIPTION	SYM.
BUDETTI			
FINAL APPROVAL	DATE	MECHANICAL DES.	
<i>[Signature]</i>	12/10/68		
ELECT. DES.	DATE		
RT	12/10/68		
CHECKED	DATE		
<i>[Signature]</i>	12/10/68		
DRAWN	DATE		
<i>[Signature]</i>	12/10/68		

LIST OF MATERIAL	
THE TECHNICAL MATERIEL CORP.	
MAMARONECK, NEW YORK	
DIAGRAM, SCHEMATIC	
SIZE B	CODE IDENT. NO. CK 1589
SCALE	DWG NO.
	SHEET 1
	OF 1

QTY / UNIT	MODEL USED ON	ASSY NO.
	AX5052	
APPLICATION		
CODE		

NOTICE TO PERSONS RECEIVING THIS DRAWING
 THE TECHNICAL MATERIEL CORPORATION claims proprietary right in the material disclosed hereon. This drawing is issued in confidence for engineering information only and may not be reproduced or used to manufacture anything shown hereon without permission from THE TECHNICAL MATERIEL CORPORATION to the user. This drawing is loaned for mutual assistance and is subject to recall at any time.