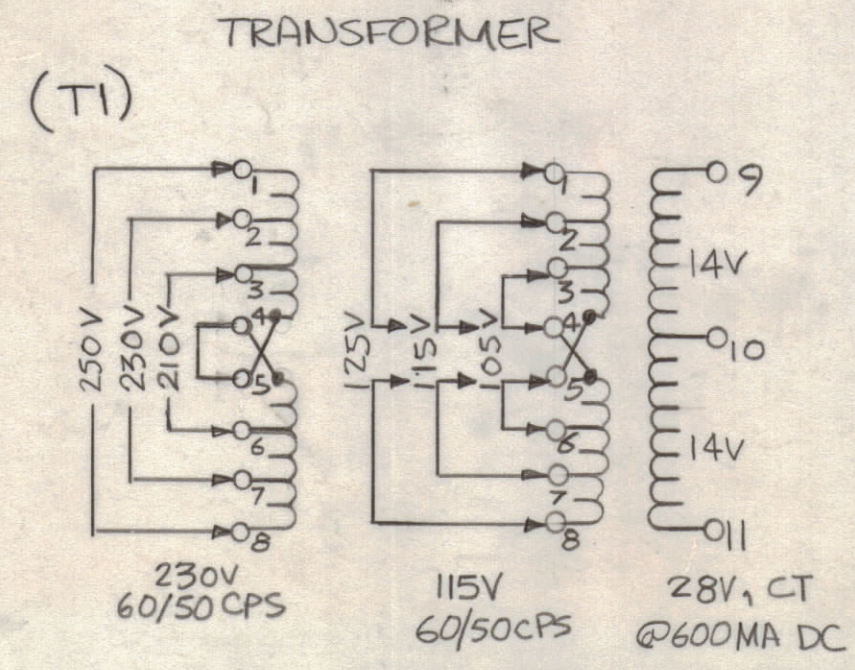
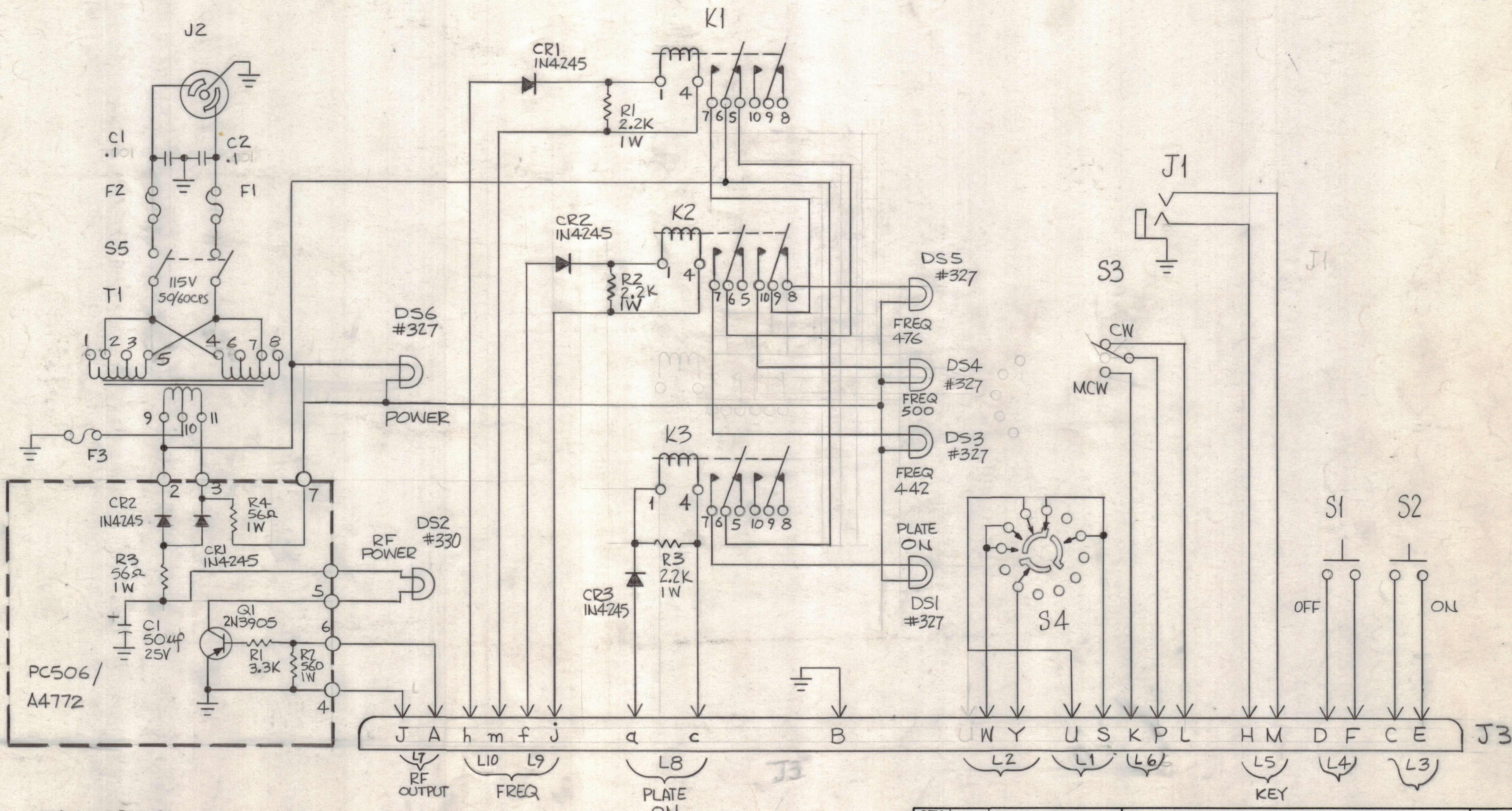


REVISIONS						
ZONE	LTR	DESCRIPTION	DATE	E.M.N.NO	DRAFT	CHKD APPD
		ORIGINAL RELEASE FOR PRODUCTION	3/26/69		RG	



QTY / UNIT	MODEL USED ON	ASS'Y NO.
	RTPR-1Y	
APPLICATION		
CODE		

NOTICE TO PERSONS RECEIVING THIS DRAWING  
 THE TECHNICAL MATERIEL CORPORATION claims proprietary right in the material disclosed hereon. This drawing is issued in confidence for engineering information only and may not be reproduced or used to manufacture anything shown hereon without permission from THE TECHNICAL MATERIEL CORPORATION to the user. This drawing is loaned for mutual assistance and is subject to recall at any time.

QTY. REQ.	ITEM	PART NO.	DESCRIPTION	SYMBOL
LIST OF MATERIAL				
UNLESS OTHERWISE SPECIFIED DIMENSIONS ARE IN INCHES AND INCLUDE CHEMICALLY APPLIED OR PLATED FINISHES TOLERANCES ON DECIMALS .X ± .05 FRACTIONS ± 1/64 ANGLES ± 0° -30' MATERIAL FINISH				
FINAL APPROVAL <i>S. DeMarco SPM</i> MECH. DES. R. UZZO ELECT. DES. CHECKED <i>A. De</i> DRAWN R. UZZO		DATE 3/26/69 DATE 11-12-68 DATE 3/26/69 DATE 11-12-68		THE TECHNICAL MATERIEL CORP. MAMARONECK, NEW YORK DIAGRAM, SCHEMATIC RTPR-1Y (PROGRAMMER)
SIZE	CODE	IDENT. NO.	DWG. NO.	ISSUE
C	82679	CK1590		1
SCALE				SHEET OF