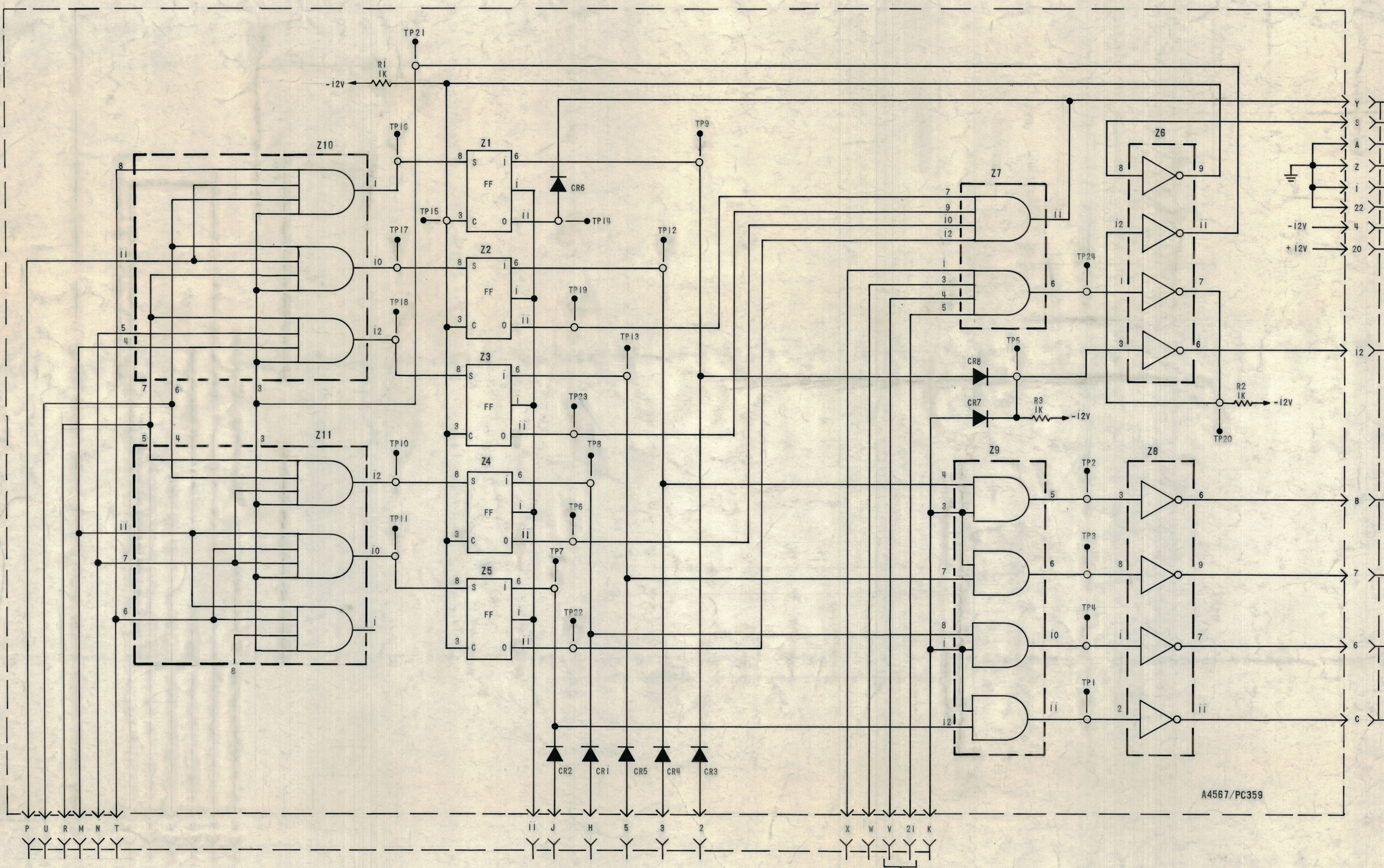


		REVISIONS					
ZONE	LTR	DESCRIPTION	DATE	E.M.N.NO	DRAFT	CHKD	APPD
	X						
	X1	REV. & CLARIFIED	1/24/69			LH	
	X2	REV. & CLARIFIED	6/3/69			GE	20
	X3	REV. & CLARIFIED	6/13/69			LH	20
	Ø	ORIGINAL RELEASE FOR PRODUCTION	9/11/69			CO	



MODULE VOLTAGE AND GND CHART

SYMBOL	PIN CONNECTIONS		
	+12V	-12V	GND
Z1 THRU Z5	10	2	5
Z6, Z8	10		5
Z7, Z9, Z10, Z11		2	

LAST SYMBOL	MISSING SYMBOL
CR8	
R3	
TP24	
Z11	

- UNLESS OTHERWISE SPECIFIED:
- ALL RESISTOR VALUES ARE IN OHMS, 1/4W.
 - ALL DIODE VALUES ARE IN914.
 - PARTIAL REFERENCE DESIGNATIONS ARE SHOWN; FOR COMPLETE DESIGNATION, PREFIX WITH UNIT NUMBER AND SUB-ASSEMBLY DESIGNATION (S) AS APPLICABLE.

1	RTMU-42()	A4567
2	RTMU-41B	A4567
1	RTMU-41, 41A, 41C	A4567
QTY / UNIT	MODEL USED ON	ASS'Y NO.
APPLICATION		
CODE		
MATERIAL		
FINISH		

UNLESS OTHERWISE SPECIFIED DIMENSIONS ARE IN INCHES AND INCLUDE CHEMICALLY APPLIED OR PLATED FINISHES

TOLERANCES ON

DECIMALS	FRACTIONS
.X ± .05	± 1/64
.XX ± .01	ANGLES ± 0° -30'
.XXX ± .005	

FINAL APPROVAL: *[Signature]* DATE: 8-15-69
 MECH. DES: *[Signature]* DATE: 8-8-69
 ELECT. DES. DATE:
 CHECKED: *[Signature]* DATE: 9/13/68
 DRAWN: *[Signature]* DATE: 9/12/68

QTY. REQ.	ITEM	PART NO.	DESCRIPTION	SYMBOL
LIST OF MATERIAL				
THE TECHNICAL MATERIEL CORP. MAMARONECK, NEW YORK				
DIAGRAM, SCHEMATIC GATING CIRCUIT				
SIZE	CODE IDENT. NO.	DWG. NO.	ISSUE	
D	82679	CK 1555		
SCALE	SHEET		OF	

NOTICE TO PERSONS RECEIVING THIS DRAWING
 THE TECHNICAL MATERIEL CORPORATION claims proprietary right in the material disclosed hereon. This drawing is issued in confidence for engineering information only and may not be reproduced or used to manufacture anything shown hereon without permission from THE TECHNICAL MATERIEL CORPORATION to the user. This drawing is loaned for mutual assistance and is subject to recall at any time.

CR1555