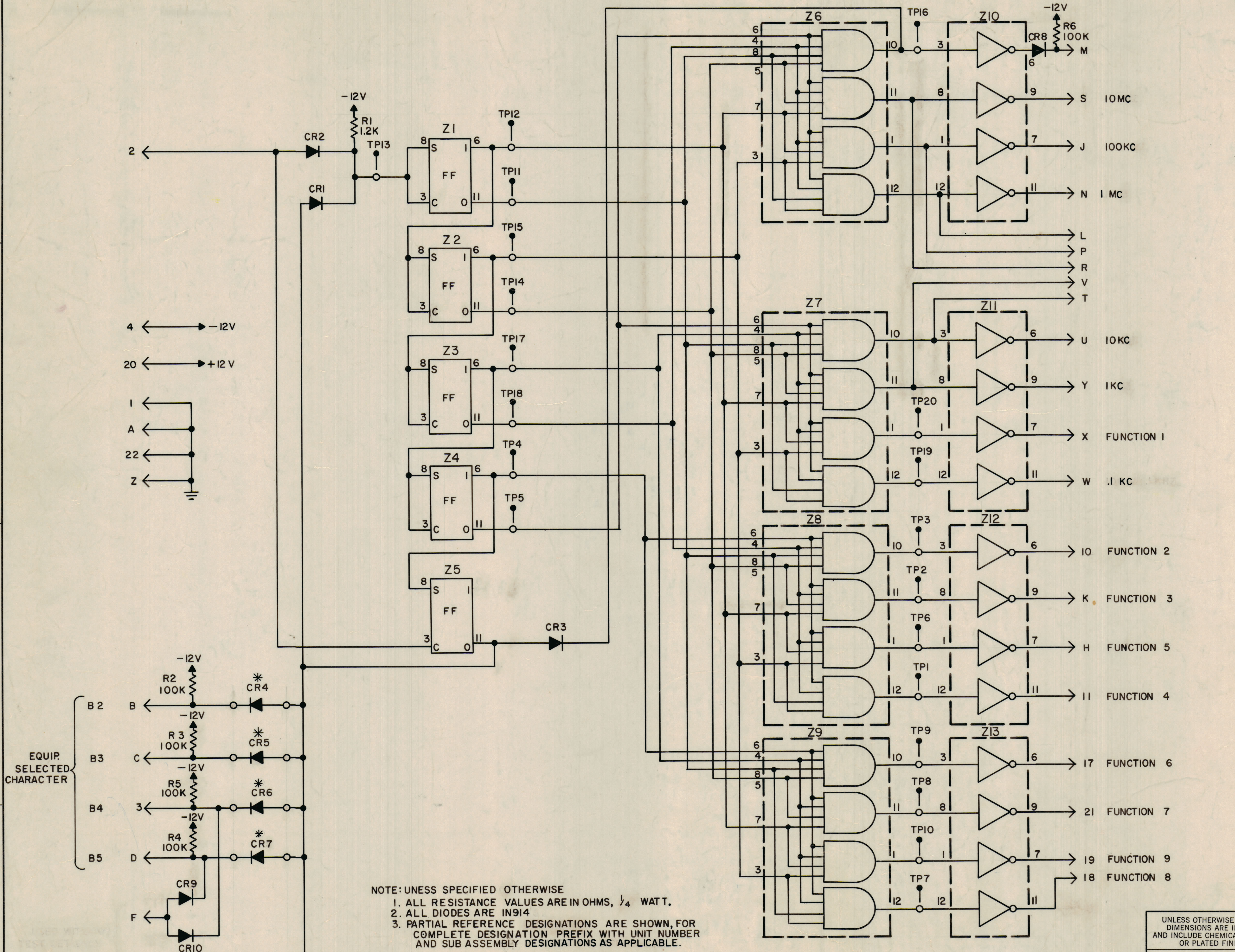


REVISIONS							
E.M.N.NO	DRAFT	CHKD	ZONE	LTR	DESCRIPTION	DATE	APPROVED
	KD	MB		X	EXP RELEASE	6/19/69	
				0	ORIGINAL RELEASE FOR PRODUCTION	8/18/69	



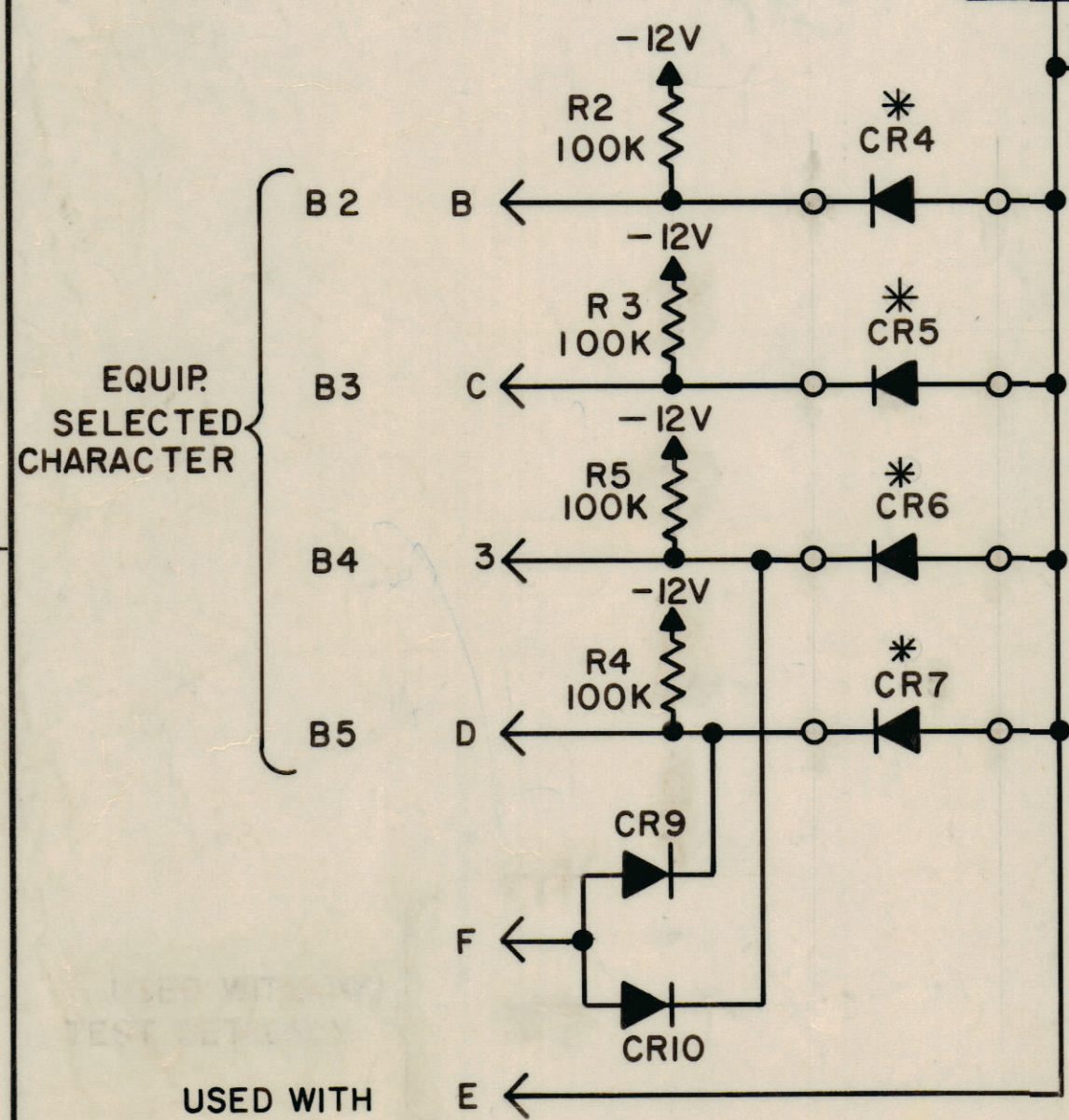
* FOR EQUIPMENT CODED A THRU E USE THIS CHART FOR DIODE SELECTION

A THRU -	CR 4	CR 5	CR 6	CR 7
1				
2				
3				
4				
5				
6				
7				
8				
9				
10				

LAST SYMBOL	MISSING SYMBOL
CR10	
TP20	
Z13	

MODULE VOLTAGE & GND CHART			
SYMBOL	PIN CONNECTION		
	+12V	-12V	GND
Z1 THRU Z5	10	2	5
Z6 THRU Z9		2	
Z10 THRU Z13	10		5

NOTE: UNLESS SPECIFIED OTHERWISE
 1. ALL RESISTANCE VALUES ARE IN OHMS, 1/4 WATT.
 2. ALL DIODES ARE IN914
 3. PARTIAL REFERENCE DESIGNATIONS ARE SHOWN, FOR COMPLETE DESIGNATION PREFIX WITH UNIT NUMBER AND SUB ASSEMBLY DESIGNATIONS AS APPLICABLE.



USED WITH TEST SET ONLY

I	RTTD-4	A4517
QTY / UNIT	MODEL USED ON	ASSY NO.
APPLICATION		
CODE		
MATERIAL		
FINISH		

NOTICE TO PERSONS RECEIVING THIS DRAWING
 THE TECHNICAL MATERIEL CORPORATION claims proprietary right in the material disclosed herein. This drawing is issued in confidence for engineering information only and may not be reproduced or used to manufacture anything shown herein without permission from THE TECHNICAL MATERIEL CORPORATION to the user. This drawing is loaned for mutual assistance and is subject to recall at any time.

UNLESS OTHERWISE SPECIFIED DIMENSIONS ARE IN INCHES AND INCLUDE CHEMICALLY APPLIED OR PLATED FINISHES

TOLERANCES ON
 DECIMALS .X ± .05
 .XX ± .01
 .XXX ± .005

FRACTIONS ± 1/64
 ANGLES ± 0° - 30'

PC 332 / A4517				
QTY. REQ.	ITEM	PART NO.	DESCRIPTION	SYMBOL
De MARCO LIST OF MATERIAL				
FINAL APPROVAL		DATE	THE TECHNICAL MATERIEL CORP.	
MECH. DES.		DATE	MAMARONECK, NEW YORK	
ELECT. DES.		DATE	DIAGRAM LOGIC	
CHECKED		DATE	SHIFT REGISTER	
DRAWN		DATE	SIZE CODE IDENT NO. DWG NO.	
		6/20/69	D 82679 CK 1522	
MATERIAL			SCALE NONE	SHEET OF
FINISH				