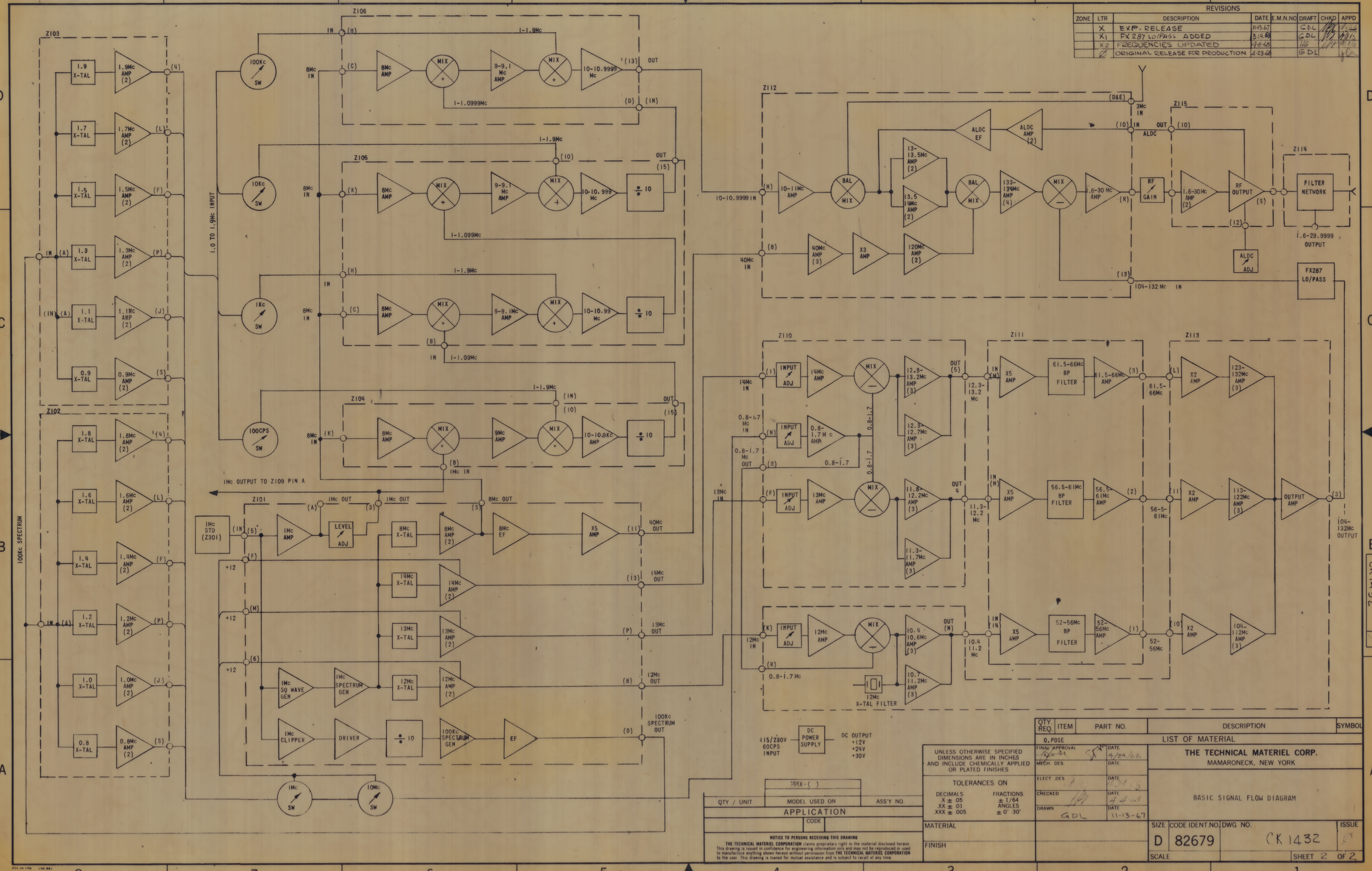


REVISIONS						
ZONE	LTR	DESCRIPTION	DATE	E.M.N.NO	DRAFT	CHKD
X		EXP. RELEASE	11-13-67			GDL
X1		FX 287 LO/PASS ADDED	3-19-68			GDL
X2		FREQUENCIES UPDATED	4-8-68			HG
Z		ORIGINAL RELEASE FOR PRODUCTION	4-23-68			GDL



QTY.	REQ.	ITEM	PART NO.	DESCRIPTION	SYMBOL
0. POSE					
LIST OF MATERIAL					
THE TECHNICAL MATERIEL CORP.					
MAMARONECK, NEW YORK					
BASIC SIGNAL FLOW DIAGRAM					
SIZE		CODE IDENT. NO.	DWG. NO.		ISSUE
D		82679	CK 1432		
SCALE					
SHEET 2 OF 2					

DC POWER SUPPLY
 115/230V 60cps INPUT
 DC OUTPUT
 +12V
 +24V
 +30V

QTY / UNIT MODEL USED ON ASSY NO.
 APPLICATION
 CODE

NOTICE TO PERSONS RECEIVING THIS DRAWING
 THE TECHNICAL MATERIEL CORPORATION claims proprietary right in the material disclosed herein. This drawing is issued in confidence for engineering information only and may not be reproduced or used to manufacture anything shown herein without permission from THE TECHNICAL MATERIEL CORPORATION to the user. This drawing is loaned for mutual assistance and is subject to recall at any time.

TOLERANCES ON
 DECIMALS X ± .05 XX ± .01 XXX ± .005
 FRACTIONS ± 1/64 ANGLES ± 0° 30'

MATERIAL FINISH

CK 1432