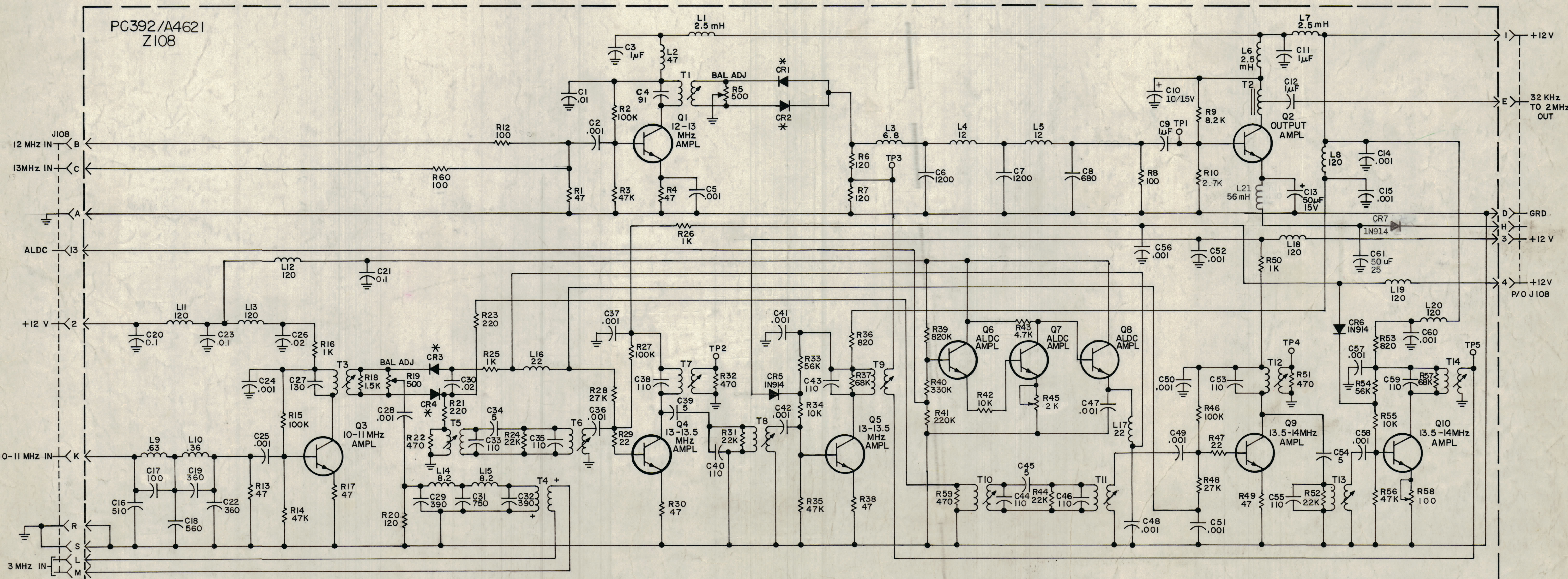


REVISIONS									
ZONE	LTR	DESCRIPTION	DATE	E.M.N. NO	DRAFT	CHKD	APPD	M/L	
X1		REV. & REDRAWN FOR CLARIFICATION	11-8-67		HLL				
X2		ADD L21, C21 & PIN "H"	11-22-67		HLL				
X3		TO L1, L6 & L7 MH ADDED	12-5-67		EOL				
X4		VALUE C23 & C26 WAS .001. L2 WAS 560 MH	1-11-68		GDL				
X5		REVISED & UPDATED	2-26-68		HLL				
Ø		ORIGINAL RELEASE FOR PRODUCTION	2-26-68		HLL				
A		R17(47) WAS (120)	4/3/69	18846	HLL				
B		R12 WAS 220, ADD R60, ADD PIN C J108	10/11/68	18967	HLL				
C		CHG. VALUES ON R 45+58, C17+19 & R 45+58 TO PPT	5/18/71	20350	RFP				
D		R10 WAS 3.3K, C61 WAS .1uF, C10 WAS 1uF, L21 RELOCATED, R11 DELETED, CR7 ADDED	2-4-72	20537	cv	efm			



**UNLESS OTHERWISE SPECIFIED**

- 1-ALL RESISTANCE VALUES ARE IN OHMS, 1/4 W.
- 2-ALL DECIMAL NUMBER CAPACITANCE VALUES ARE IN MICROFARADS. ALL WHOLE NUMBER VALUES ARE IN PICO FARADS.
- 3-ALL INDUCTANCE VALUES ARE IN MICROHENRIES.
- 4-ALL TRANSISTORS ARE TYPE "2N3646".

**\* NOTE:**  
CR1 & CR2, CR3 & CR4 (DD138'S) MUST BE MATCHED PAIRS.

LAST SYMBOLS	MISSING SYMBOLS
C61 CR7 L21 Q10 R60 T14 TP5	R11

**SYMBOL SERIES 700**

LFE-2		A4621
LFE-1		A4621
QTY / UNIT	MODEL USED ON	ASS'Y NO.
APPLICATION		
CODE		
MATERIAL		
FINISH		

UNLESS OTHERWISE SPECIFIED DIMENSIONS ARE IN INCHES AND INCLUDE CHEMICALLY APPLIED OR PLATED FINISHES	
TOLERANCES ON	
DECIMALS .X ± .05 .XX ± .01 .XXX ± .005	FRACTIONS ± 1/64 ANGLES ± 0° - 30'
FINAL APPROVAL	DATE
MECH. DES.	DATE
ELECT. DES.	DATE
CHECKED	DATE
DRAWN	DATE

QTY. REQ.	ITEM	PART NO.	DESCRIPTION	SYMBOL
O. POSE				
LIST OF MATERIAL				
THE TECHNICAL MATERIEL CORP. MAMARONECK, NEW YORK				
<b>DIAGRAM, SCHEMATIC TRANSLATOR</b>				
SIZE	CODE IDENT. NO.	DWG. NO.	ISSUE	
D	82679	CK1400	D	
SCALE				SHEET OF

**NOTICE TO PERSONS RECEIVING THIS DRAWING**  
THE TECHNICAL MATERIEL CORPORATION claims proprietary right in the material disclosed herein. This drawing is issued in confidence for engineering information only and may not be reproduced or used to manufacture anything shown herein without permission from THE TECHNICAL MATERIEL CORPORATION to the user. This drawing is loaned for mutual assistance and is subject to recall at any time.