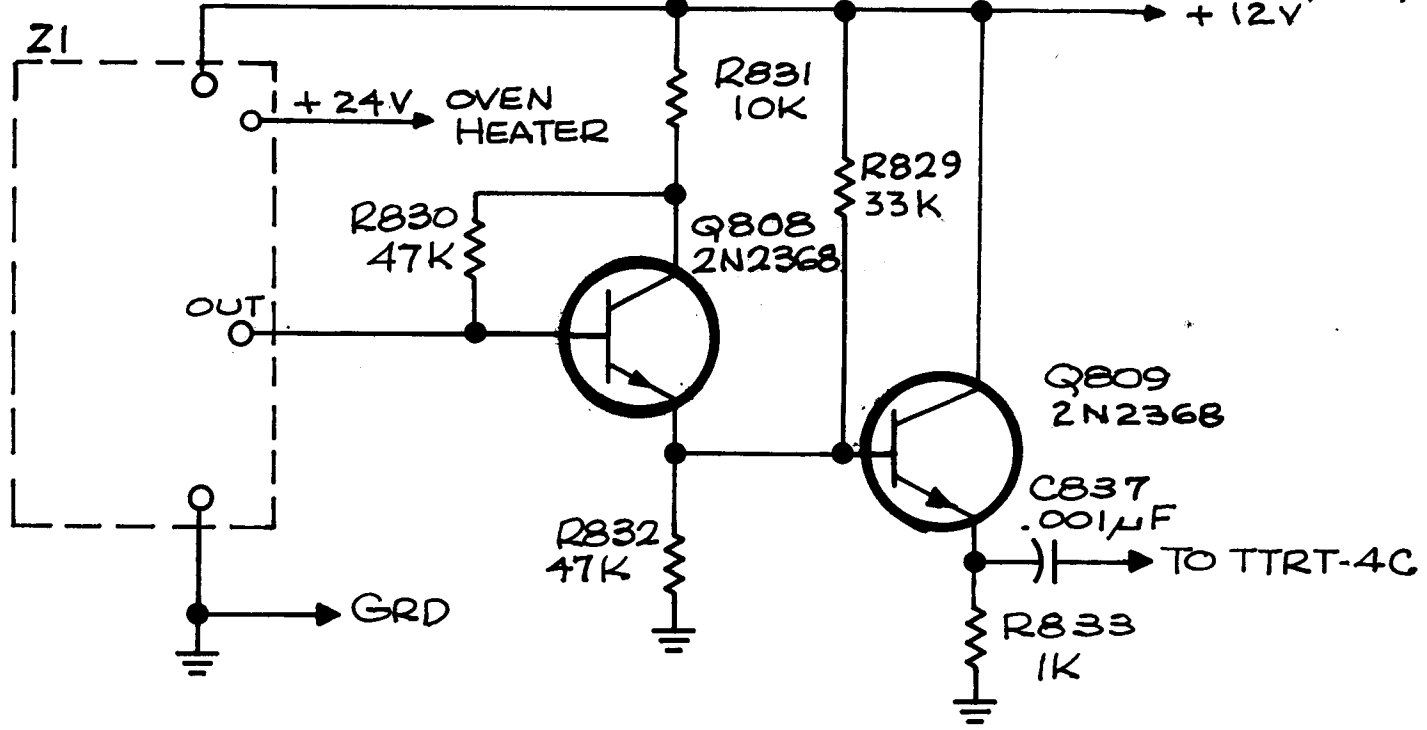


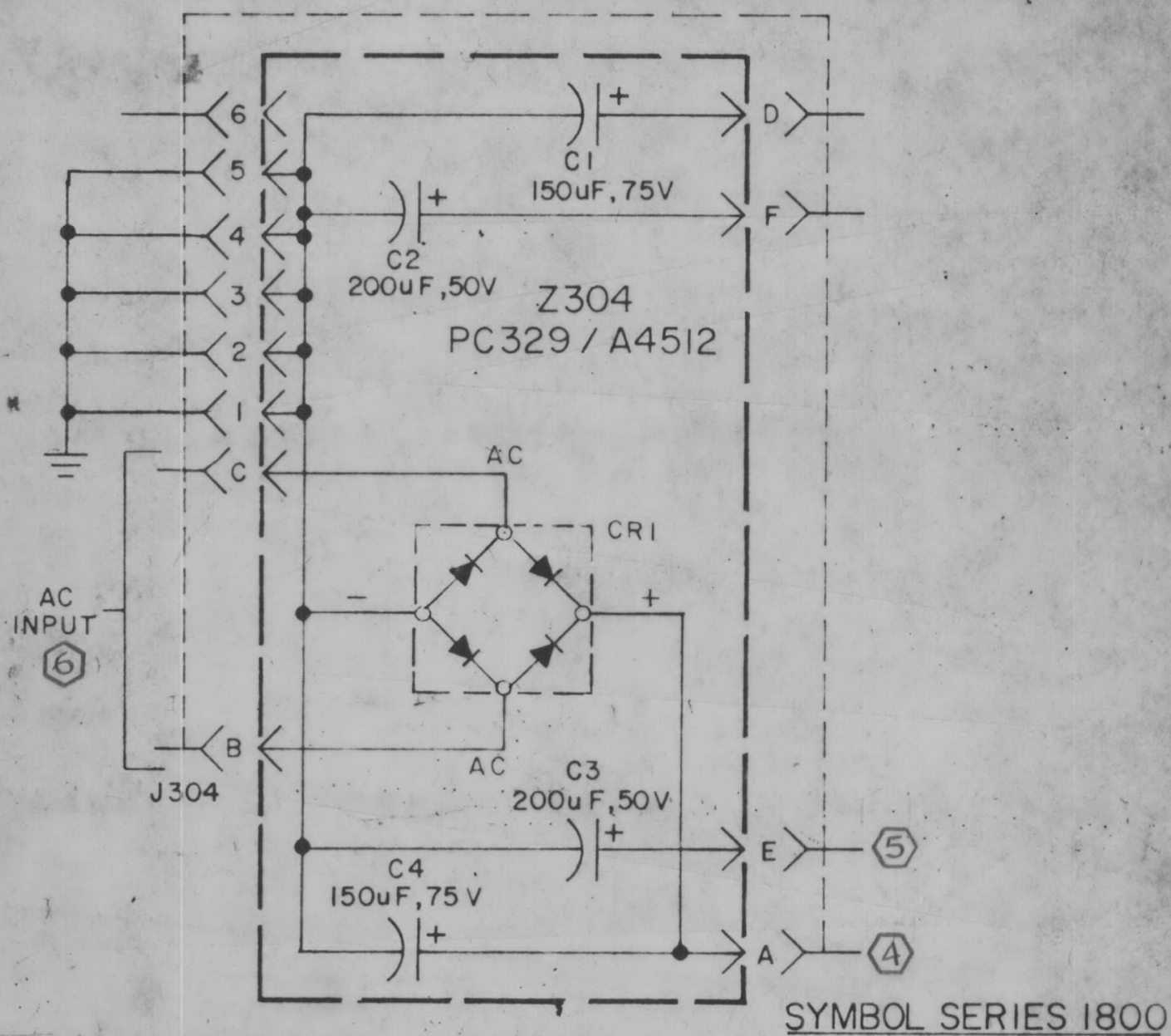
APPLICATION			REVISIONS							
QTY	MODEL USED ON	ASS'Y NO.	LTR	DESCRIPTION	DATE	E.M.N.NO	DRAFT	CHKD	APPD	
	TTRT-4C		X2	REDRAWN & UPDATED	3-7-67					
			Q	ORIG. RELEASE	3/7/67	P				
			A	R829 VALUE WAS 47K	3/17/67	17996	RME	QTS		



LAST SYMBOLS
C837
Q809
R833

UNLESS OTHERWISE SPECIFIED DIMENSIONS ARE IN INCHES AND INCLUDE CHEMICALLY APPLIED OR PLATED FINISHES		REQ'D	ITEM	PART NUMBER	DESCRIPTION	SYM.
DECIMALS: .X ± .05, .XX ± .01, .XXX ± .005 FRACTIONS: 1/64, ANGLES: 0°-30'		LIST OF MATERIAL				
MATERIAL	FINAL APPROVAL			DATE	THE TECHNICAL MATERIEL CORP. MAMARONECK, NEW YORK DIAGRAM, SCHEMATIC OSC INPUT CIRCUIT	
FINISH	MECH. DES.			DATE		
	ELECT. DES.			DATE		
	CHECKED			DATE		
	DRAWN			DATE		
NOTICE TO PERSONS RECEIVING THIS DRAWING THE TECHNICAL MATERIEL CORPORATION claims proprietary right in the material disclosed hereon. This drawing is issued in confidence for engineering information only and may not be reproduced or used to manufacture anything shown hereon without permission from THE TECHNICAL MATERIEL CORPORATION to the user. This drawing is loaned for mutual assistance and is subject to recall at any time.		SIZE	CODE IDENT. NO.	DWG NO.	ISSUE	
		A	82679	CK1300	A	
		SCALE	SHEET		OF	

APPLICATION			REVISIONS						
QTY	MODEL USED ON	ASSY NO	LTR	DESCRIPTION	DATE	E M N NO	DRAFT	CHKD	APPR
1	VOX-7	A4512	X	EXPERIMENTAL RELEASE	4-20-67		HLD		
1	MMX-()	A4512	X1	UPDATED	7-13-67		GDL		ja
1	LFE-1	A4512	Ø	ORIG RELEASE FOR PROD	8-1-67		RG		ja
1	SME-6, MFE-1	A4512	A	DELE CONN FROM 5 TO 6	4-22-68	18886	HJ		OP

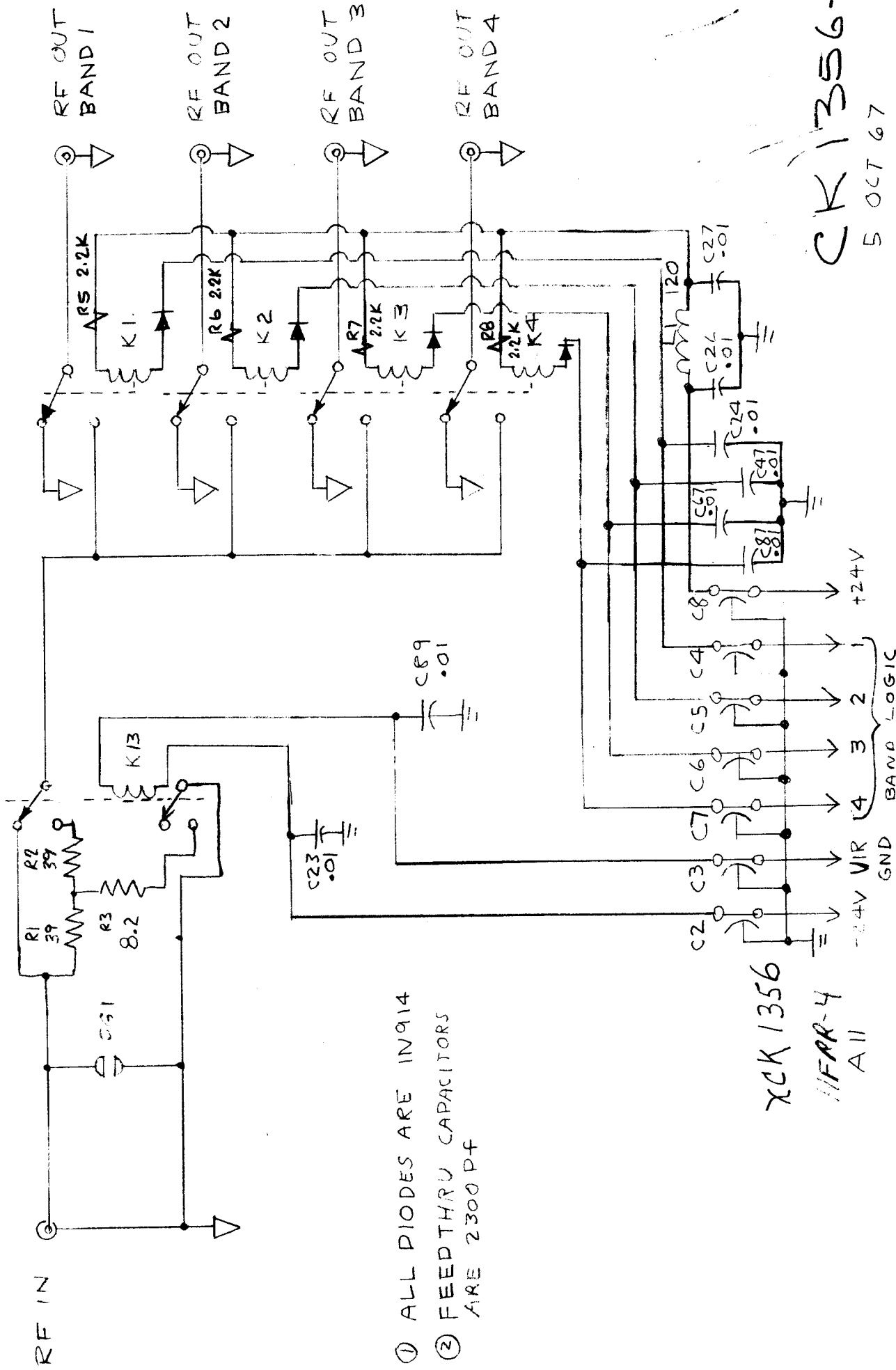


REQ'D	ITEM	PART NUMBER	DESCRIPTION	SYM
O - POSE LIST OF MATERIAL				
THE TECHNICAL MATERIEL CORP.			MAMAPONICK NEW YORK	
DIAGRAM, SCHEMATIC			• POWER SUPPLY (PC BOARD "A")	
SIZE	CODE IDENT. NO	DWG NO.	ISSUE	
A	82679	CK 1328	A	
SCALE	SHEET		OF	

NOTICE TO PERSONS RECEIVING THIS DRAWING
 THE TECHNICAL MATERIEL CORPORATION claims proprietary right in the material herein and its use is limited to the specific purpose for which it was prepared. It is not to be used to manufacture anything shown herein without the written consent of THE TECHNICAL MATERIEL CORPORATION. This drawing is made to scale and is subject to recall at anytime.

INPUT PROTECTION AND BAND ROUTING

XI UPDATED 5/20/69



- ① ALL DIODES ARE 1N914
- ② FEEDTHRU CAPACITORS ARE 2300PF

XCK 1356
//FAR-4
All

CK 1356-X
5 OCT 67

