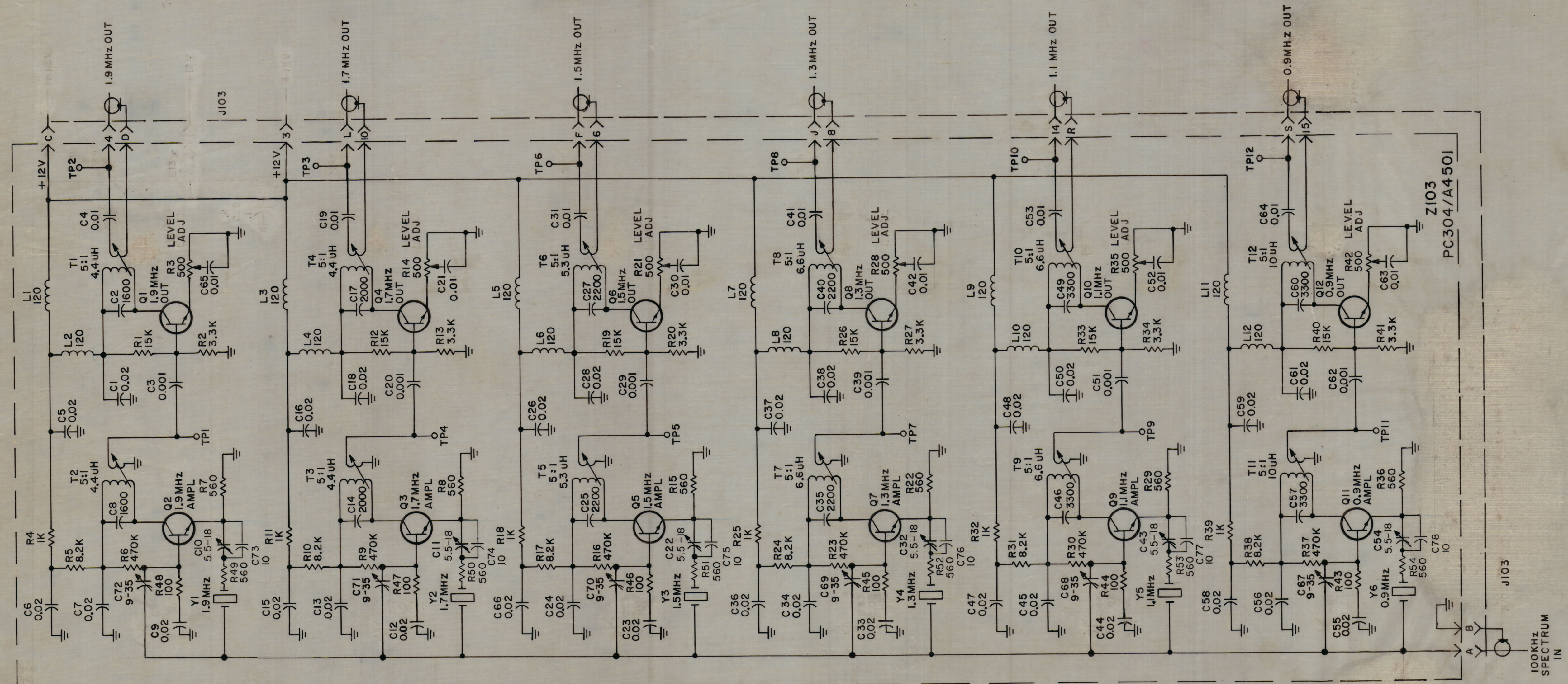


REVISIONS						
REV.	DESCRIPTION	DATE	BY	CHKD.	APPD.	
X	EXPERIMENTAL RELEASE	3-13-47	X	G.D.L.		
X	C46 WAS C45, C57 WAS C56, VALUE C21 WAS CH	3-30-47	X	G.D.L.		
X2	Z103 WAS Z3	4-1-47	X2	G.D.L.		
D	ORIGINAL RELEASE FOR PRODUCTION	7-31-47		R.G.		
A	REV. E UPDATED	3/22/48	18933			
B	ADDR R49 TO 54, & C73 TO 78	1-12-70	19705	KD		
C	ADD C79 AND L15	8-11-71	21602	FN	K.M.	
D	SHEET 2 ADDED, C79 & L13 Deleted from 941	9-15-82	21835	DL		

NOTE:  
SCHEMATIC AS SHOWN IS UPDATED FOR MMX-2B  
RUBBER STAMP P/N A4501  
\* THESE ITEMS REMOVED FOR STANDARD MMX  
AND STAMP PARTS



NOTE:  
USE FOR MMX-2A SERIES ONLY  
(SHEET 1 OF 2 SHEETS)

**SYMBOL SERIES 600**

LAST SYMBOL	MISSING SYMBOL
C78	
L12	
Q12	
R54	
T12	
TP12	
Y6	

- UNLESS OTHERWISE SPECIFIED
- 1- ALL RESISTANCE VALUES ARE IN OHMS, 1/4 W.
  - 2- ALL DECIMAL CAPACITANCE VALUES ARE IN MICROFARADS, (.001).
  - 3- ALL TRANSISTORS ARE TYPE "2N3646".
  - 4- ALL INDUCTANCE VALUES ARE IN MICROHENRIES.

QTY / UNIT	MODEL USED ON	ASS'Y NO.
1	VOX-7	A4501
1	MMX-2A SERIES	A4501
APPLICATION		
CODE		
MATERIAL		
FINISH		

QTY. REQ.	ITEM	PART NO.	DESCRIPTION	SYMBOL
			LIST OF MATERIAL	
			THE TECHNICAL MATERIEL CORP. MAMARONECK, NEW YORK	
			DIAGRAM, SCHEMATIC COMB FILTER "B"	
			SIZE	CODE IDENT. NO. DWG NO.
			D	82679 CK1314
			SCALE	SHEET 1 OF 2

QTY. REQ.	ITEM	PART NO.	DESCRIPTION	SYMBOL
			LIST OF MATERIAL	
			THE TECHNICAL MATERIEL CORP. MAMARONECK, NEW YORK	
			DIAGRAM, SCHEMATIC COMB FILTER "B"	
			SIZE	CODE IDENT. NO. DWG NO.
			D	82679 CK1314
			SCALE	SHEET 1 OF 2

NOTICE TO PERSONS RECEIVING THIS DRAWING  
THE TECHNICAL MATERIEL CORPORATION claims proprietary right in the material disclosed herein.  
This drawing is issued in confidence for engineering information only and may not be reproduced or used  
to manufacture anything shown herein without permission from THE TECHNICAL MATERIEL CORPORATION  
to the user. This drawing is loaned for mutual assistance and is subject to recall at any time.