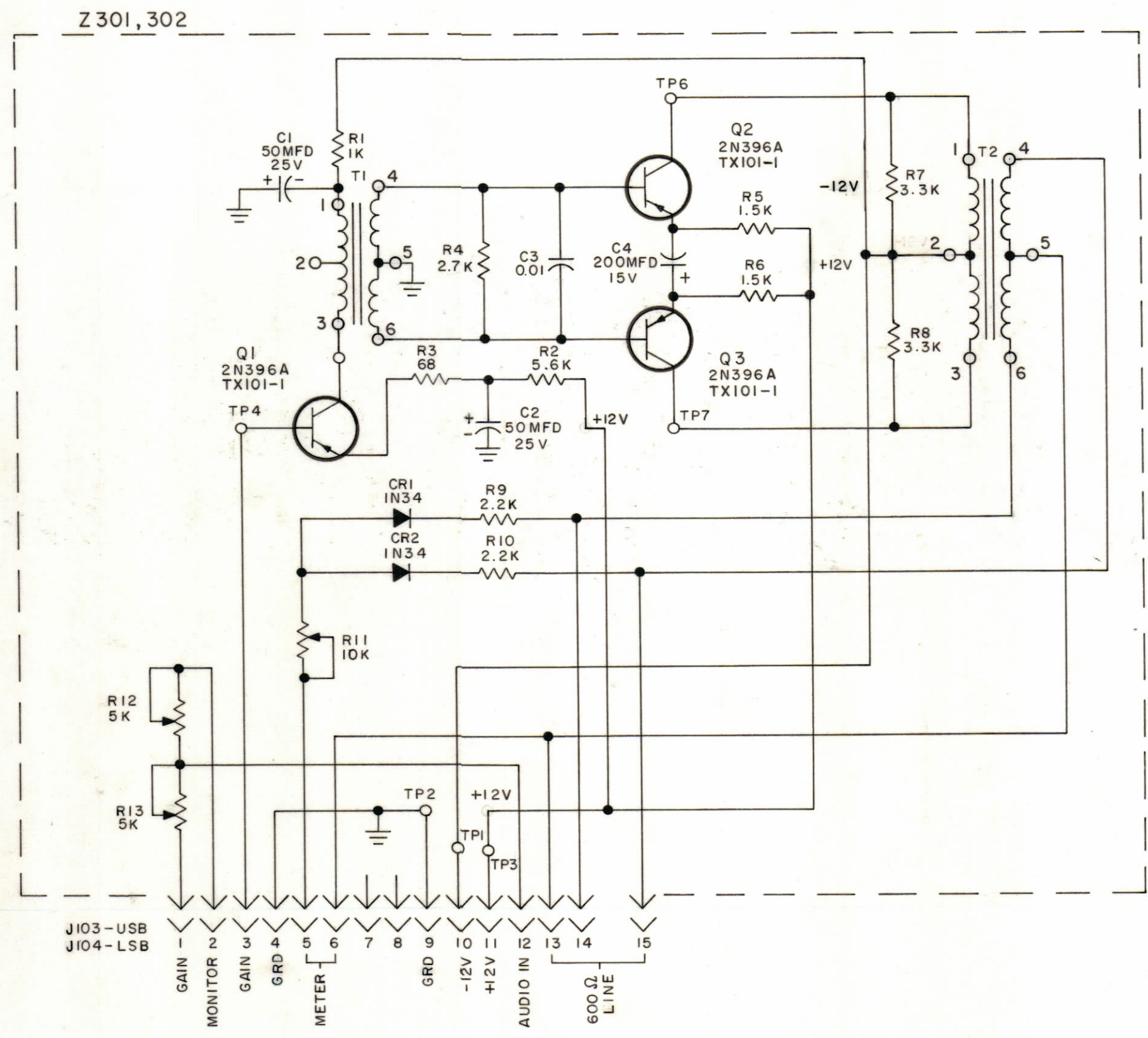


REVISIONS							
SYM	ZONE	DESCRIPTION	DATE	E.M.N.	DRAFT	CHKD	APPD
X		EXPERIMENTAL RELEASE	11-28-66	X	RME		
Ø		ORIGINAL RELEASE FOR PRODUCTION	12/21/66	Ø	CV		<i>J. J. J.</i>



LAST SYMBOLS  
 C304  
 CR302  
 Q303  
 R313  
 T302

NOTE  
 ALL SYMBOLS 300 SERIES

UNLESS OTHERWISE SPECIFIED  
 ALL RESISTOR VALUES ARE IN OHMS, 1/2 WATT.

REF. CK1254  
 REF. PC132

UNLESS OTHERWISE SPECIFIED  
 DIMENSIONS ARE IN INCHES  
 TOLERANCES ON  
 FRACTIONS DECIMALS ANGLES  
 ±1/64 ±.005 ±1/2°

MATERIAL

FINISH

QTY REQ	ITEM	PART NO.	DESCRIPTION	SYMBOL	
BILL OF MATERIAL					
FINAL APPROVAL <i>[Signature]</i>			DATE 12/1/66	THE TECHNICAL MATERIEL CORP. MAMARONECK, NEW YORK	
MECH. DES.			DATE		
ELECT. DES.			DATE		
CHECKED JL			DATE 11/28/66		
DRAWN DWAIN SERV.			DATE	DIAGRAM, SCHEMATIC LINE AMPLIFIER	
FINISH			DATE		
		CODE	SIZE	DWG. NO.	ISSUE
		82679	C	CK 1250	Ø
SCALE				SHEET	OF

MAXIMUM ALLOWABLE TOLERANCES HAVE BEEN DETERMINED AND ANY DEVIATIONS WILL BE CAUSE FOR REJECTION.

2	LFC-A-1	A3720
QTY/UNIT	MODEL USED ON	ASS'Y NO.