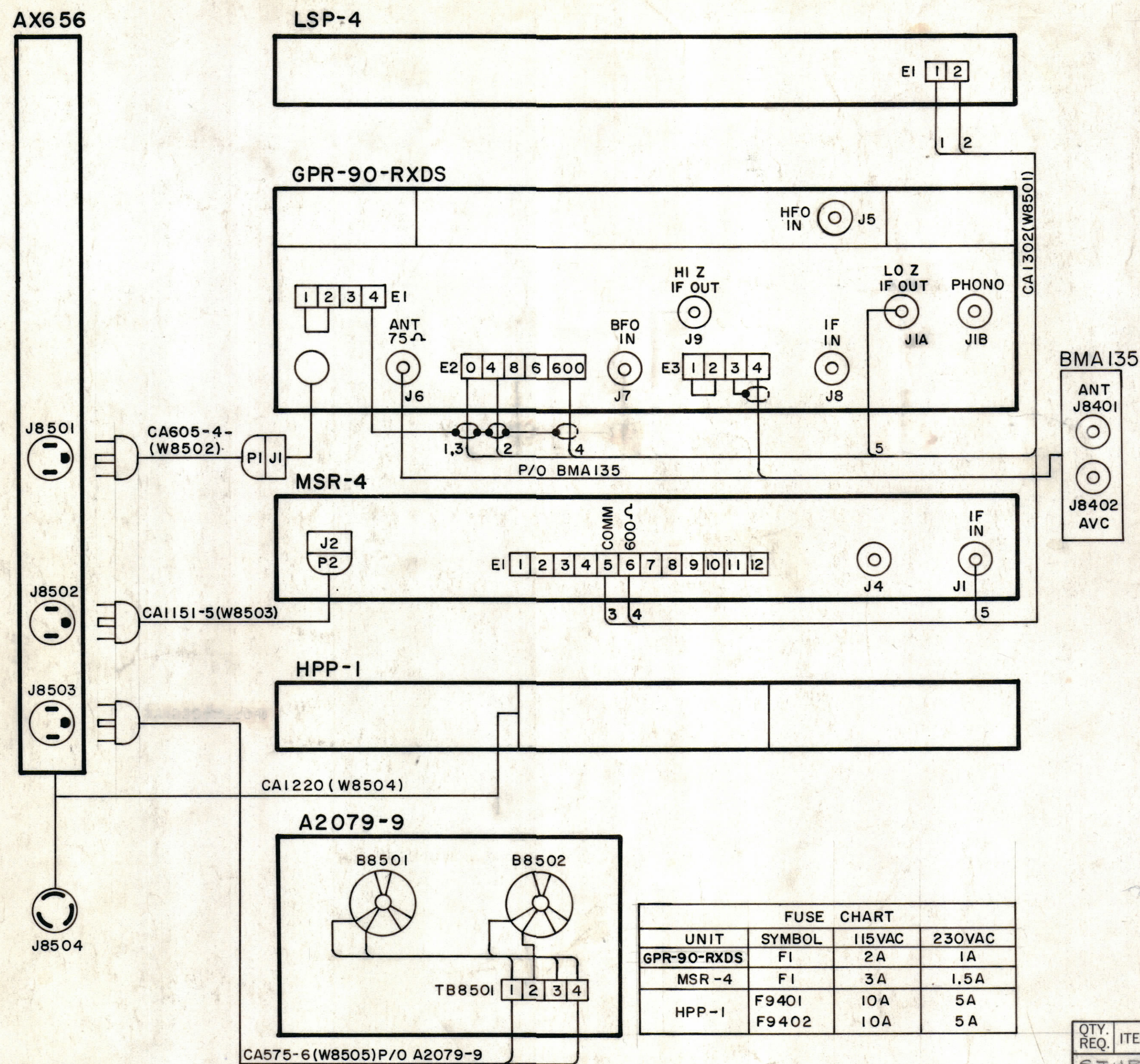


REVISIONS						
ZONE	LTR	DESCRIPTION	DATE	E.M.N.NO	DRAFT	CHKD
X		EXPERIMENTAL RELEASE	12/15/66	X		
X ₁		DELE. 13 ON EI; RELOC. ANT LEAD	3/14/67	X ₁	RME	
		ORIGINAL RELEASE FOR PRODUCTION	3/27/67		CV	
A		GPR-90-RXDS WAS GPR-90-RXD, J9 ADDED CA1151-5 WAS -3, LO Z IF OUT WAS IF OUT	5-3-67	18160	L.A.K.	FB



FUSE CHART			
UNIT	SYMBOL	115VAC	230VAC
GPR-90-RXDS	F1	2A	1A
MSR-4	F1	3A	1.5A
HPP-1	F9401	10A	5A
	F9402	10A	5A

QTY. REQ.	ITEM	PART NO.	DESCRIPTION	SYMBOL								
STURMER LIST OF MATERIAL												
FINAL APPROVAL		DATE	THE TECHNICAL MATERIEL CORP. MAMARONECK, NEW YORK DIAGRAM, SCHEMATIC DDR-7L									
MECH. DES.		DATE										
ELECT. DES.		DATE										
CHECKED		DATE										
DRAWN		DATE	<table border="1"> <tr> <td>SIZE</td> <td>CODE IDENT.NO.</td> <td>DWG NO.</td> <td>ISSUE</td> </tr> <tr> <td>C</td> <td>82679</td> <td>CK1243</td> <td>A</td> </tr> </table>		SIZE	CODE IDENT.NO.	DWG NO.	ISSUE	C	82679	CK1243	A
SIZE	CODE IDENT.NO.	DWG NO.	ISSUE									
C	82679	CK1243	A									
MATERIAL		SCALE										
FINISH		SHEET OF										

QTY / UNIT	MODEL USED ON	ASS'Y NO.
	DDR-7L	
APPLICATION		
CODE		
<small>NOTICE TO PERSONS RECEIVING THIS DRAWING</small> <small>THE TECHNICAL MATERIEL CORPORATION claims proprietary right in the material disclosed hereon. This drawing is issued in confidence for engineering information only and may not be reproduced or used to manufacture anything shown hereon without permission from THE TECHNICAL MATERIEL CORPORATION to the user. This drawing is loaned for mutual assistance and is subject to recall at any time.</small>		