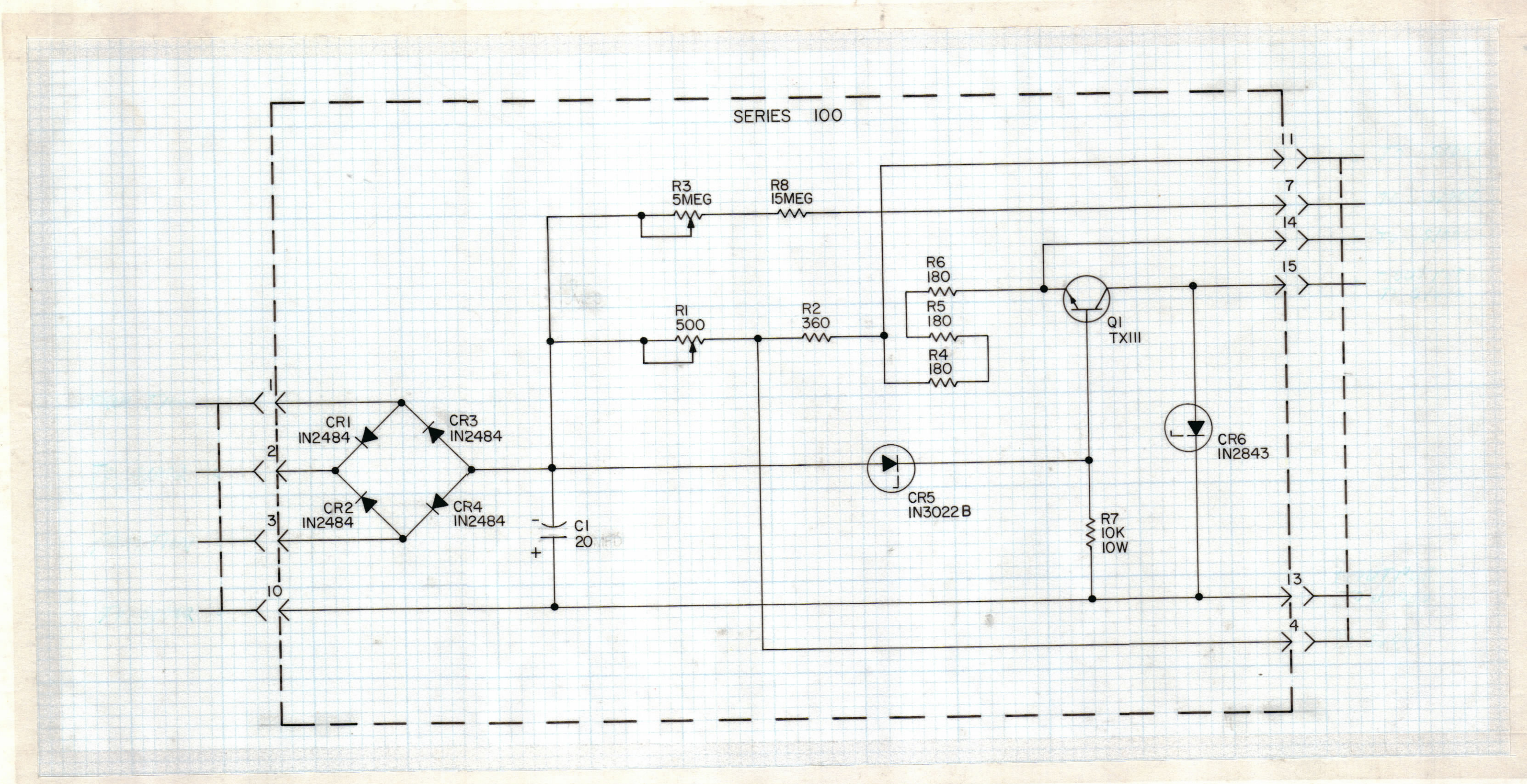


REVISIONS						
SYM	ZONE	DESCRIPTION	DATE	E.M.N.NO.	DRAFT	CHKD APPD
X		EXPERIMENTAL RELEASE	9-19-66	4	WU	
Ø		ORIGINAL RELEASE FOR PRODUCTION	9-27-66	Ø	RME	
A		(C1)SYM CLARE CR5 WAS IN3022	1-27-69	19268	KD	EFM



SYMBOLS	
LAST	MISSING
R8	
C1	
CR6	
Q1	

UNLESS OTHERWISE SPECIFIED
 1 - ALL RESISTOR VALUES ARE IN OHMS, 1/2 WATT.
 2 - ALL CAPACITOR VALUES ARE IN MICROFARADS.

MAXIMUM ALLOWABLE TOLERANCES HAVE BEEN DETERMINED AND ANY DEVIATIONS WILL BE CAUSE FOR REJECTION.

REF: PC237

QTY REQ	ITEM	PART NO.	DESCRIPTION	SYMBOL
A. DUDDLES BILL OF MATERIAL				
UNLESS OTHERWISE SPECIFIED DIMENSIONS ARE IN INCHES TOLERANCES ON FRACTIONS DECIMALS ANGLES ±1/64 ±.005 ±1/2°		FINAL APPROVAL <i>[Signature]</i>	DATE 9/24/66	THE TECHNICAL MATERIEL CORP. MAMARONECK, NEW YORK
MATERIAL		MECH. DES.	DATE	
FINISH		ELECT. DES.	DATE 9-23-66	
		CHECKED <i>[Signature]</i>	DATE	
		DRAWN DWAIN SERVICE	DATE	DIAGRAM, SCHEMATIC (LINE SUPPLY CARD) CFA-2
		APPROVED FOR BUSHIPS	CODE 82679	SIZE C
		CONTRACT NO.	DWG. NO. CK1198	ISSUE A
			SCALE	SHEET OF