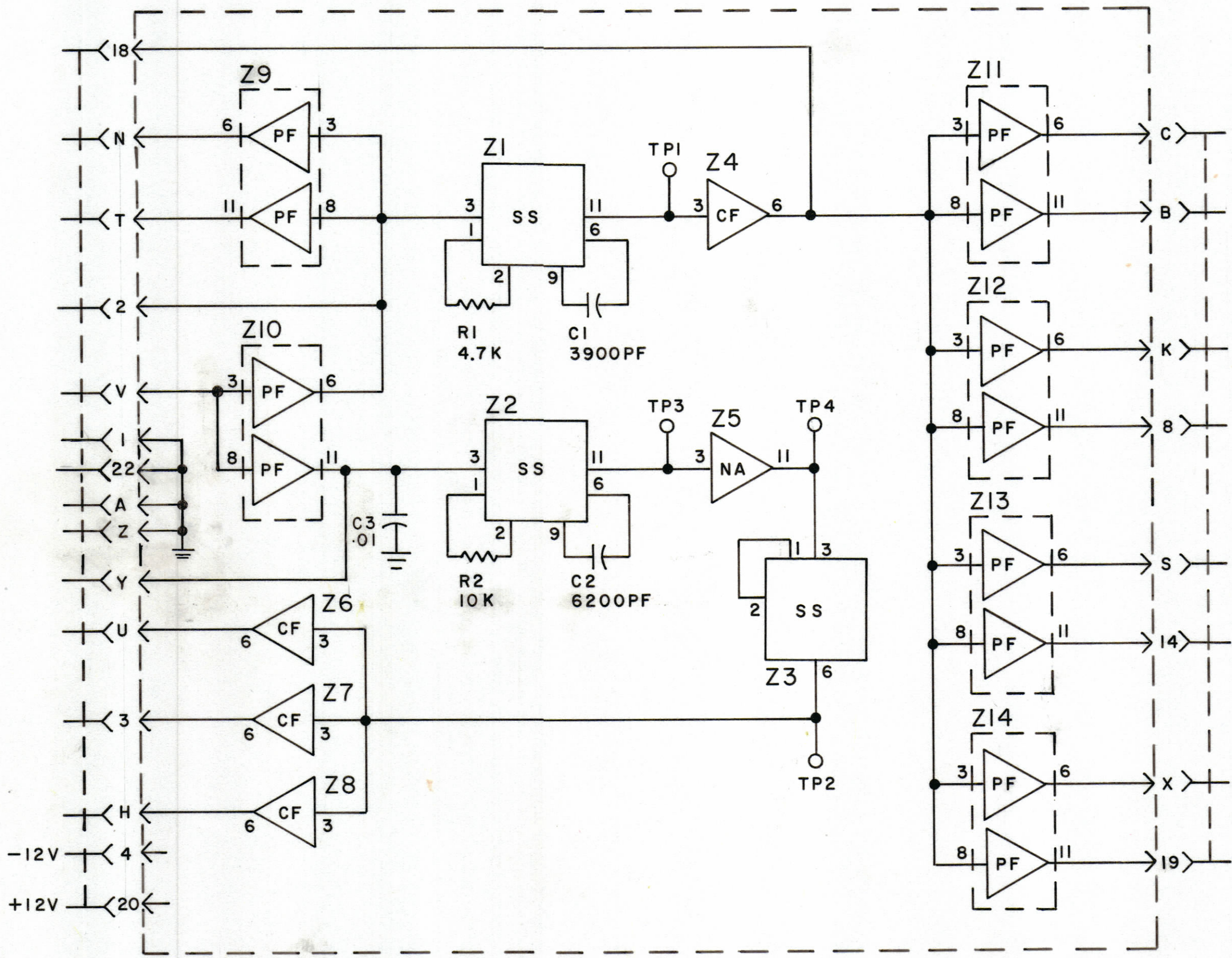


REVISIONS							
ZONE	SYM	DESCRIPTION	DATE	E.M.N. NO.	DRAFT	CHKD	APPD
	Ø	ORIGINAL RELEASE FOR PRODUCTION	7/26/66				



MODULE VOLTAGE & GRD CHART

SYMBOL	PIN CONNECTION		
	+12V	-12V	GRD
Z1,2,3 & Z5	10	2	5
Z4,6 THRU Z14		2	5

- UNLESS OTHERWISE SPECIFIED -
 1- ALL RESISTOR VALUES ARE IN OHMS, 1/ WATT.
 2- ALL CAPACITOR VALUES ARE IN MICROFARADS.

NOTES

RTIH-1		A4399
Q'TY./UNIT	MODEL USED ON	ASS'Y. NO.
SCALE	CODE	

THE CONTENTS OF THIS DRAWING ARE THE EXCLUSIVE PROPERTY OF THE TECHNICAL MATERIEL CORP. ITS UNAUTHORIZED USE OR REPRODUCTION IN WHOLE OR IN PART IS STRICTLY FORBIDDEN.

REF.: PC277

REQ'D.	ITEM	PART NUMBER	DESCRIPTION	SYMBOL
EATON LIST OF MATERIAL				
MATERIAL		THE TECHNICAL MATERIEL CORP. MAMARONECK, NEW YORK		
FINISH		TITLE DIAGRAM, SCHEMATIC TIMING CIRCUIT		
UNLESS OTHERWISE SPECIFIED DIMENSIONS ARE IN INCHES AND INCLUDE CHEMICALLY APPLIED OR PLATED FINISHES		DRAWN J. LESHINSKI CHECKED JL/ G.D.L. ELECT. DES. J.P. MECH. DES.	DATE 7-8-66 DATE 7/13/66 DATE 7/22/66 DATE	FINAL APPROVAL DATE 7/25/66 CK1152 SHEET
DECIMALS .X ± .05 .XX ± .01 .XXX ± .005	TOLERANCES	FRACTIONS ± 1/64 ANGLES ± 0° 30'	REV. LTR.	

CK1152