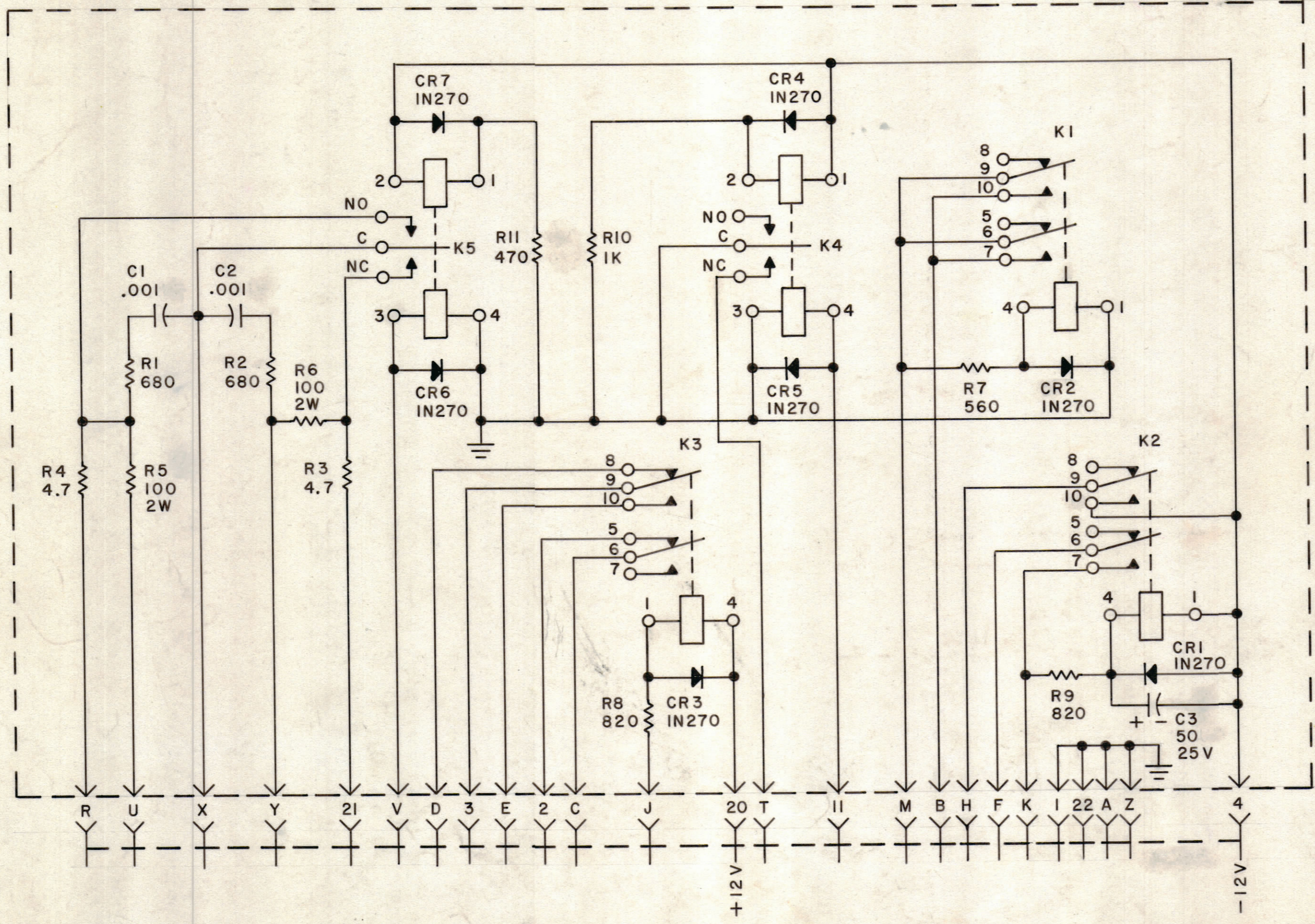


REVISIONS							
ZONE	SYM	DESCRIPTION	DATE	E.M.N. NO.	DRAFT	CHKD	APPD
	Ø	ORIGINAL RELEASE FOR PRODUCTION	7/26/66				



UNLESS OTHERWISE SPECIFIED
 1-ALL RESISTOR VALUES ARE IN OHMS 1/2 WATT.
 2-ALL CAPACITOR VALUES ARE IN UF.

REF: PC254

REQ'D.	ITEM	PART NUMBER	DESCRIPTION	SYMBOL
EATON LIST OF MATERIAL				
MATERIAL		THE TECHNICAL MATERIEL CORP. MAMARONECK, NEW YORK		
FINISH		DIAGRAM, SCHEMATIC RELAY		
UNLESS OTHERWISE SPECIFIED DIMENSIONS ARE IN INCHES AND INCLUDE CHEMICALLY APPLIED OR PLATED FINISHES		DRAWN J. LESHINSKI CHECKED JL/G.D.L. ELECT. DES. JL MECH. DES.	DATE 5-11-66 DATE 7/13/66 DATE 7/22/66 DATE	FINAL APPROVAL DATE 7/26/66 CK1143 SHEET
DECIMALS X ± .05 .XX ± .01 .XXX ± .005		TOLERANCES FRACTIONS ± 1/64 ANGLES ± 0° 30'		REV. LTR. SHEET

RTPH-1		A4367
Q'TY./UNIT	MODEL USED ON	ASSY. NO.
SCALE	CODE	

THE CONTENTS OF THIS DRAWING ARE THE EXCLUSIVE PROPERTY OF THE TECHNICAL MATERIEL CORP. ITS UNAUTHORIZED USE OR REPRODUCTION IN WHOLE OR IN PART IS STRICTLY FORBIDDEN.

NOTES

CK1143