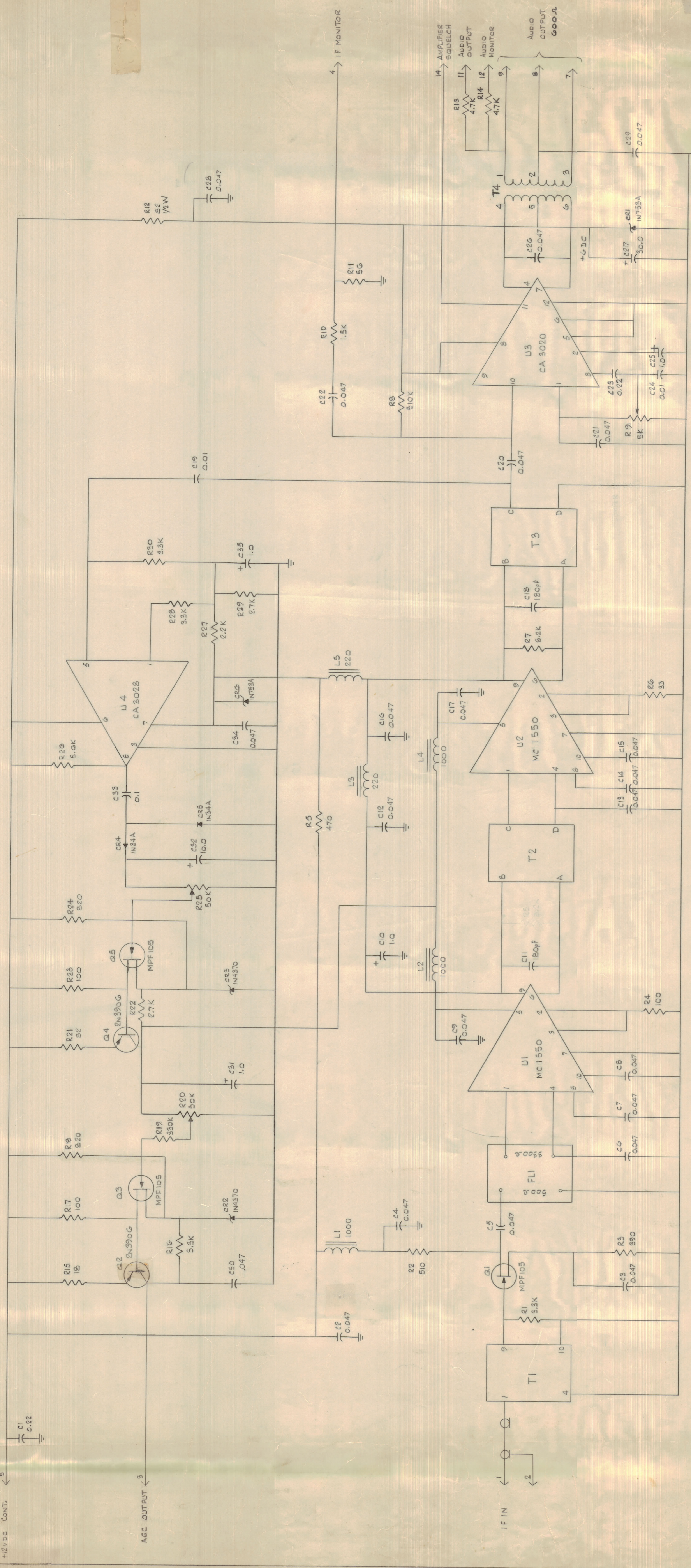


REV	DATE	BY	CHKD	DESCRIPTION
0	REV PER RELEASE	PL	PL	REV PER RELEASE
1	REV PER DEMO	PL	PL	REV PER DEMO
2	REV PER TEST	PL	PL	REV PER TEST



NOTES:
 UNLESS OTHERWISE STATED:
 RESISTANCE IN OHMS 0.25 WATTS.
 CAPACITANCE IN μ F.
 INDUCTANCE IN μ H.

STG 8	0871	AD310	5/20/68	DATE
MDEL	0871	AD310	USED ON	DATE
MAXIMUM ALLOWABLE TOLERANCES HAVE BEEN DETERMINED AND INDICATED ON THIS SCHEMATIC UNLESS OTHERWISE SPECIFIED.				
IF IT IS FOUND DESIRABLE TO CHANGE THE TOLERANCE OF OTHER PARTS THE MANUFACTURER'S PART NUMBER SHOULD BE INDICATED.				
TOLERANCES ARE NOT INDICATED UNLESS OTHERWISE SPECIFIED.				
UNLESS OTHERWISE SPECIFIED DIMENSIONS ARE IN INCHES DIMENSIONS IN PARENTHESES ARE DIMENSIONS IN MILLIMETERS.				
TOLERANCES ARE NOT INDICATED UNLESS OTHERWISE SPECIFIED.				
UNLESS OTHERWISE SPECIFIED DIMENSIONS ARE IN INCHES DIMENSIONS IN PARENTHESES ARE DIMENSIONS IN MILLIMETERS.				
UNLESS OTHERWISE SPECIFIED DIMENSIONS ARE IN INCHES DIMENSIONS IN PARENTHESES ARE DIMENSIONS IN MILLIMETERS.				
UNLESS OTHERWISE SPECIFIED DIMENSIONS ARE IN INCHES DIMENSIONS IN PARENTHESES ARE DIMENSIONS IN MILLIMETERS.				

TMC (Canada) LIMITED		OTTAWA ONTARIO	
SCHEMATIC DIAGRAM		IF (AM)	
PROJECT		DATE	
DRAWN		CHECKED	
SCALE		PRINTED SPEC. NO.	
MATERIAL		REVISIONS	
TYPE & QUANTITY		DATE	
HEAT TREAT		DATE	
FINISH		DATE	
TOLERANCES		DATE	

CK 107 48

117-TRD-41