

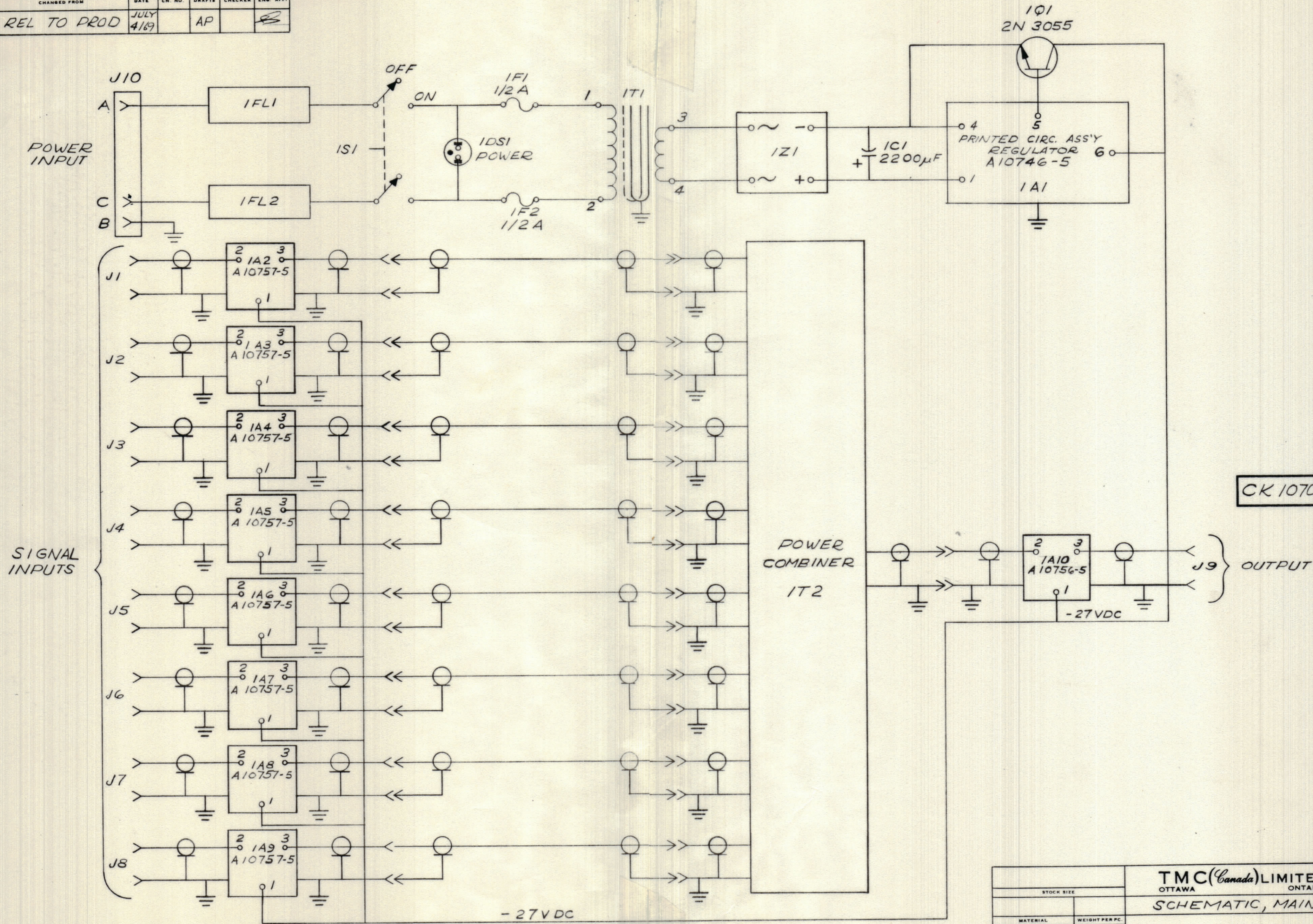
IF IT IS FOUND DESIRABLE TO CHANGE ANY TOLERANCE OR OTHER DETAIL SPECIFIED ON THIS DRAWING NOTIFY THE PURCHASER PROMPTLY.

DIMENSIONS IN INCHES UNLESS OTHERWISE SPECIFIED

MAXIMUM ALLOWABLE TOLERANCES HAVE BEEN DETERMINED AND DEVIATIONS WILL BE CAUSE FOR REJECTION. REMOVE ALL BURRS AND SHARP EDGES

ISSUE	ITEM	CHANGED FROM	DATE	CN. NO.	DRAFTS	CHECKER	ENG. APP.
0		REL TO PROD	JULY 4/69			AP	

REQ.	ITEM	PART NO.	DESCRIPTION	SYMBOL
------	------	----------	-------------	--------



CK 10707 0

TOLERANCES		SCALE:
ALL OTHERS	DEC. DIM. ± .XX ± .01 FRAC. DIM. ± 1/64 ANGULAR DIM. ± 0° 30'	DRILL, PUNCH, COMMERCIAL STOCK SIZES AND MANUFACTURERS TOLERANCES ARE NOT INCLUDED.

MAC-1	074-69	APR 28/69
MODEL	PROJECT NO.	ASS'Y. NO.
		DATE
USED ON		

TMC (Canada) LIMITED OTTAWA ONTARIO			
SCHEMATIC, MAIN			
AP	Ka. 14		
DRAWN	ELEC. DES. APP.	MECH. DES. APP.	
CHECKED	FINAL APPROVAL		
	CK 10707 0		