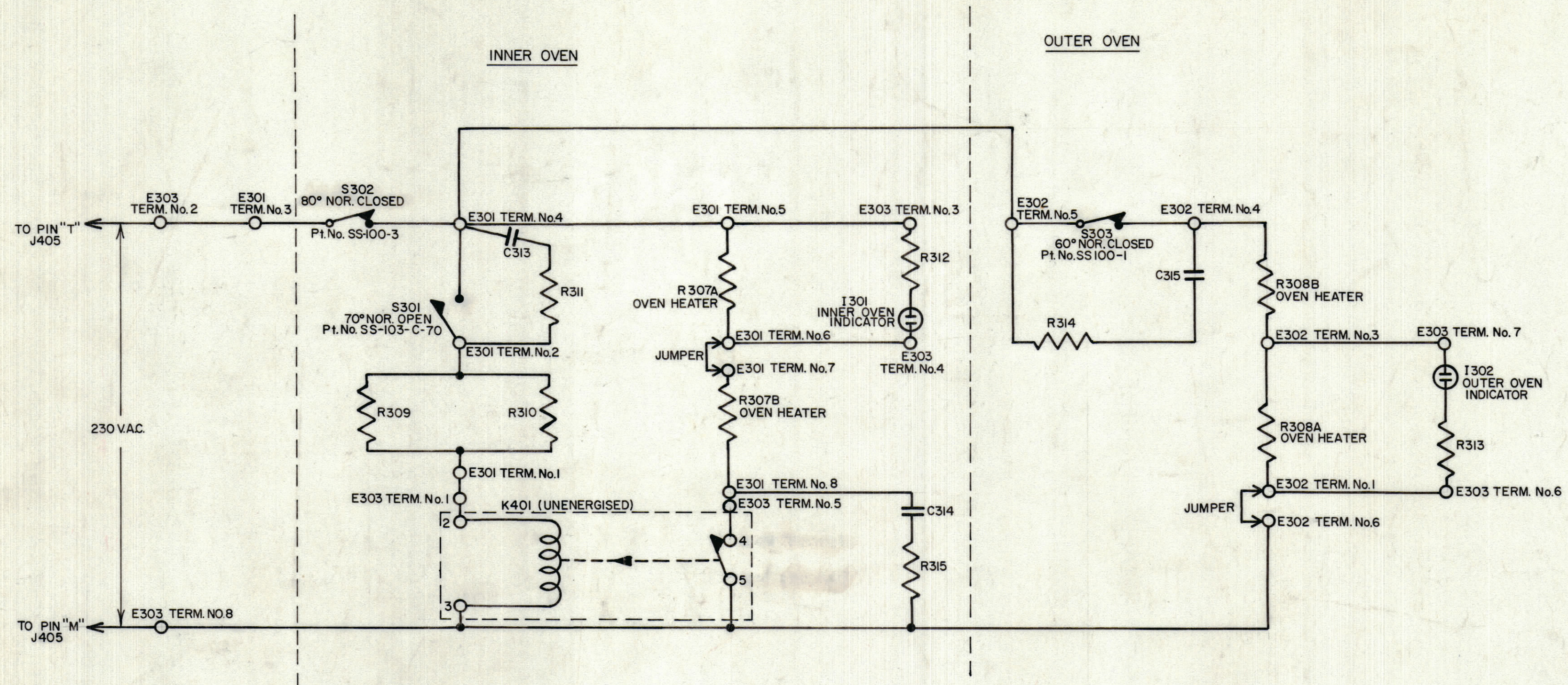


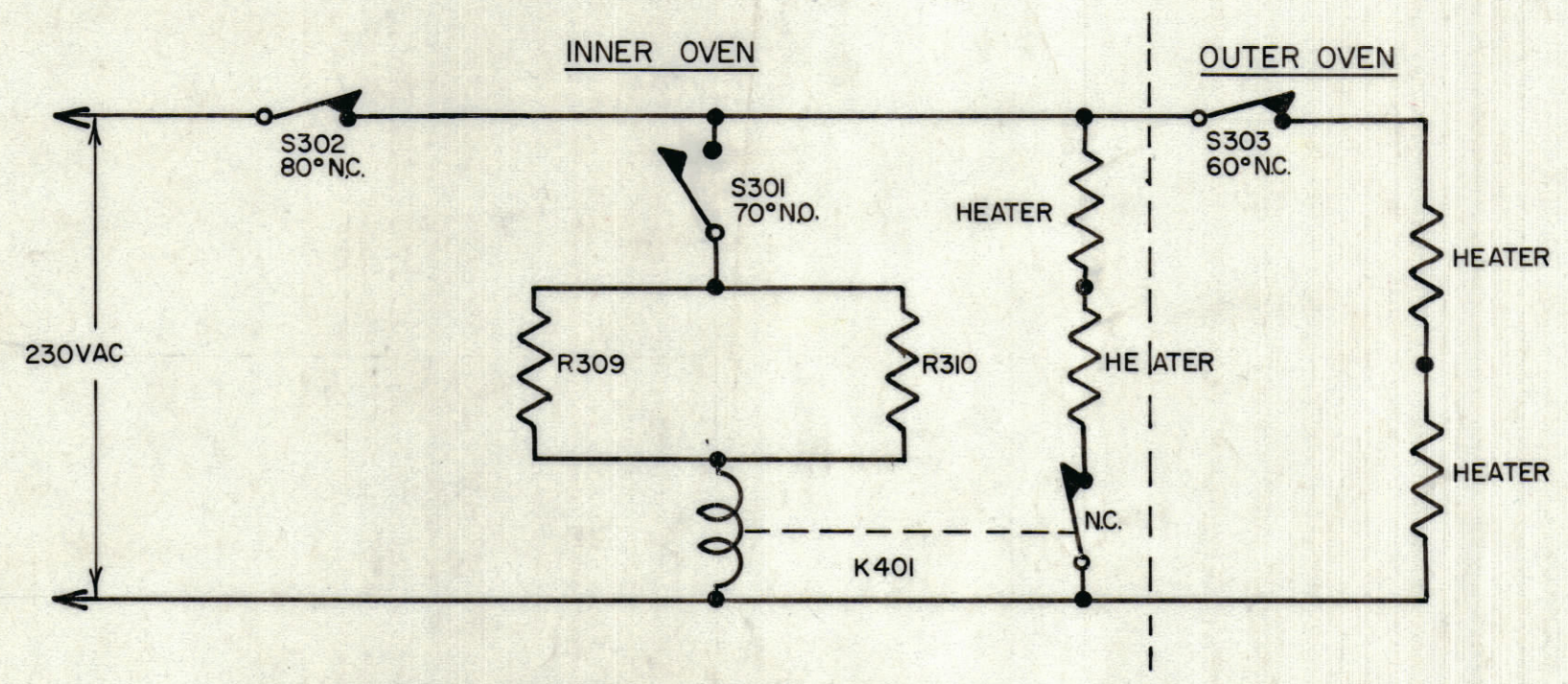
|   |      |   |           |
|---|------|---|-----------|
| IF IT IS FOUND DESIRABLE TO CHANGE ANY TOLERANCE OR OTHER DETAIL SPECIFIED ON THIS DRAWING NOTIFY THE PURCHASER PROMPTLY.       |      | DIMENSIONS IN INCHES UNLESS OTHERWISE SPECIFIED |           |
| MAXIMUM ALLOWABLE TOLERANCES HAVE BEEN DETERMINED AND DEVIATIONS WILL BE CAUSE FOR REJECTION. REMOVE ALL BURRS AND SHARP EDGES. |      |   |           |
| ISSUE   | ITEM | CHANGED FROM                                    | DATE      |
|   |      | CN. NO.   | DRAFTS    |
|   |      | CHECKER   | ENG. APP. |

|      |      |          |             |        |
|------|------|----------|-------------|--------|
| REQ. | ITEM | PART NO. | DESCRIPTION | SYMBOL |
|------|------|----------|-------------|--------|



CK 10425

SIMPLIFIED SCHEMATIC OF OVEN HEATING AND CONTROL FOR GPT-750 WHEN WIRED FOR 230 VAC OPERATION



BASIC HEATER SCHEMATIC SIMPLIFIED

|            |   |   |
|------------|---|---|
| TOLERANCES |   | SCALE:  |
| ALL OTHERS | DEC. DIM. ±<br>FRAC. DIM. ±<br>ANGULAR DIM. ± | DRILL, PUNCH, COMMERCIAL STOCK<br>SIZES AND MANUFACTURERS<br>TOLERANCES ARE NOT INCLUDED. |

|         |             |            |             |
|---------|-------------|------------|-------------|
| GPT-750 | PROJECT NO. | ASS'Y. NO. | DATE        |
| MODEL   |             |            | APRIL 27/62 |
| USED ON |             |            |             |

|                    |  |  |                 |
|--------------------|--|--|-----------------|
| STOCK SIZE         |  | TMC (Canada) LIMITED<br>OTTAWA ONTARIO |                 |
| MATERIAL           |  | SIMPLIFIED OVEN CIRCUIT FOR<br>GPT-750 |                 |
| WEIGHT PER PC.     |  | JPC                                    | MECH. DES. APP. |
| TYPE & TEMPER.     |  | DRAWN                                  | MECH. DES. APP. |
| HEAT TREAT. SPEC.  |  | CHECKED                                | FINAL APPROVAL  |
| FINISH & SPEC. NO. |  | CK 10425                               |                 |