

IF IT IS FOUND DESIRABLE TO CHANGE ANY TOLERANCE OR OTHER DETAIL SPECIFIED ON THIS DRAWING NOTIFY THE PURCHASER PROMPTLY.

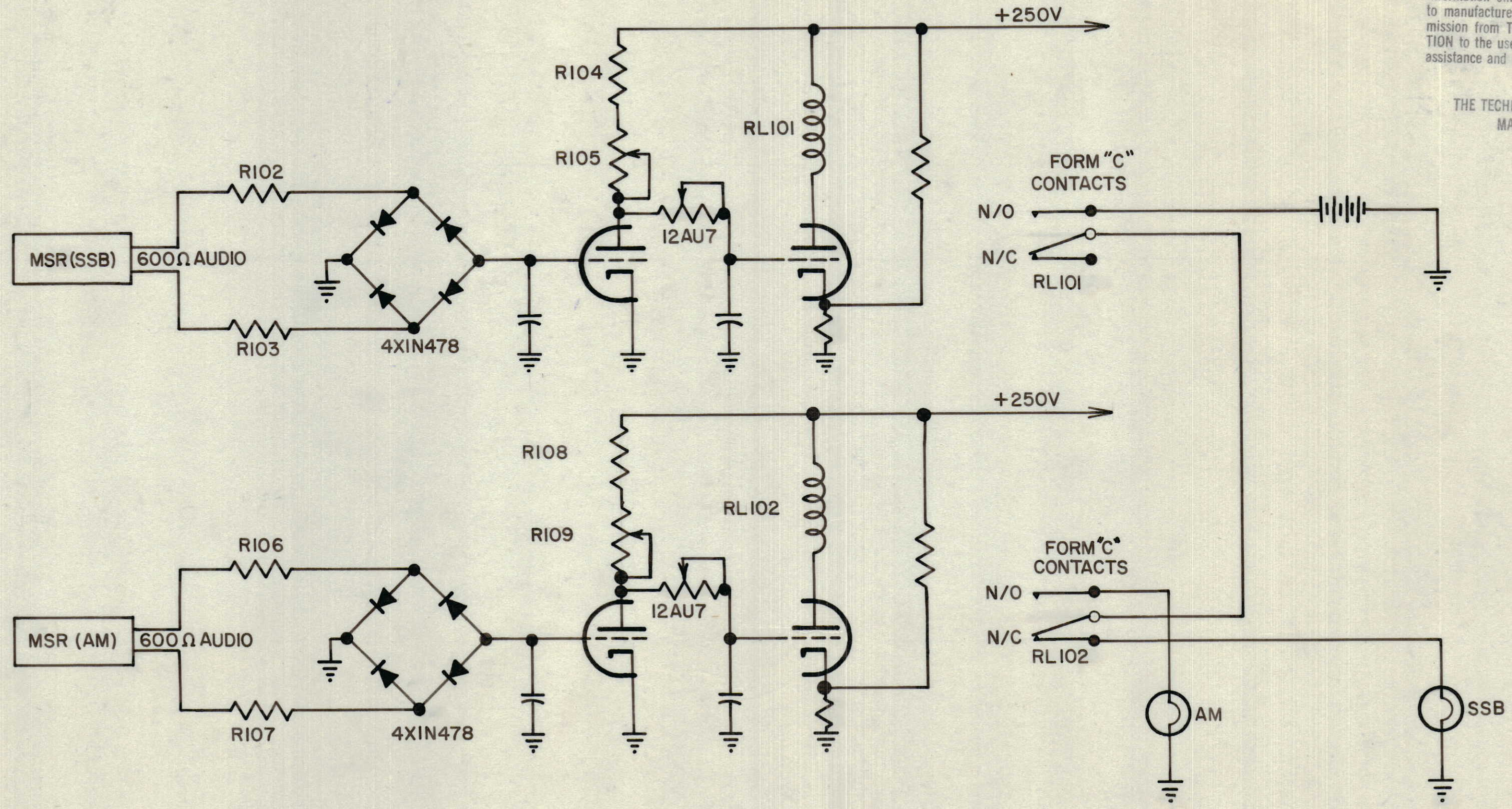
MAXIMUM ALLOWABLE TOLERANCES HAVE BEEN DETERMINED AND DEVIATIONS WILL BE CAUSE FOR REJECTION. REMOVE ALL BURRS AND SHARP EDGES

NOTICE TO PERSONS RECEIVING THIS DRAWING

THE TECHNICAL MATERIEL CORPORATION claims proprietary right in the material disclosed hereon. This drawing is issued in confidence for engineering information only and may not be reproduced or used to manufacture anything shown hereon without permission from THE TECHNICAL MATERIEL CORPORATION to the user. This drawing is loaned for mutual assistance and is subject to recall at any time.

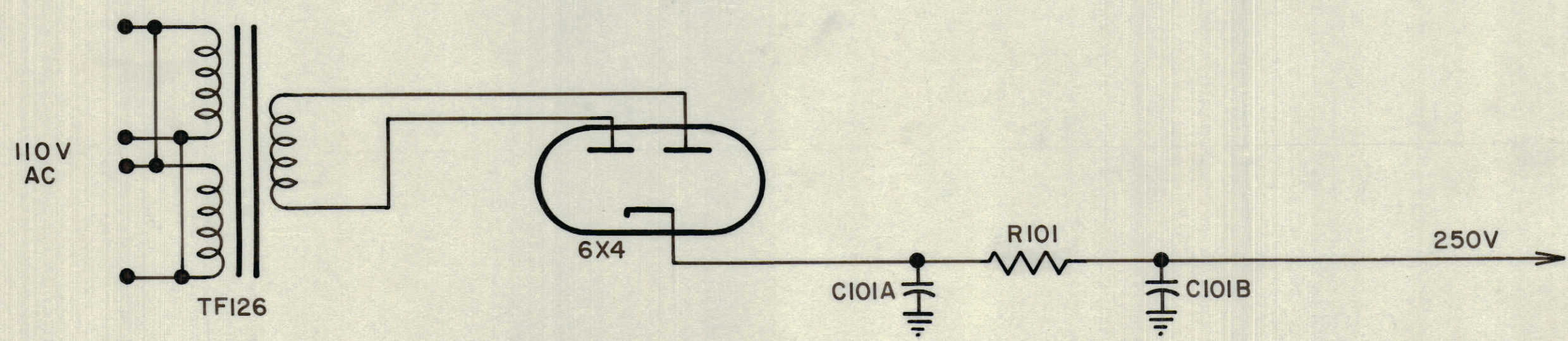
Property of:

THE TECHNICAL MATERIEL CORPORATION
MAMARONECK, NEW YORK



CK10410

POWER SUPPLY



NOTE: RL101 & RL102 (CP CLARE A104327) RELAY.

PROPOSED CIRCUIT OF TELEPHONE SWITCH BOARD DEVICE

ISSUE	ITEM	CHANGED FROM	DATE	CN. NO.	DRAFTS	CHECKER	ENG. APP.
TOLERANCES				SCALE:			
ALL OTHERS	DEC. DIM. ±		DRILL, PUNCH, COMMERCIAL STOCK				
	FRAC. DIM. ±		SIZES AND MANUFACTURERS				
	ANGULAR DIM. ±		TOLERANCES ARE NOT INCLUDED.				

MODEL	PROJECT NO.	ASS'Y. NO.	DATE
			21/3/61
USED ON			

REQ. ITEM	PART NO.	DESCRIPTION	SYMBOL
STOCK SIZE		TMC (Canada) LIMITED OTTAWA ONTARIO	
MATERIAL			
TYPE & TEMPER		AM/SSB INDICATING UNIT	
HEAT TREAT. SPEC.		JPC	
FINISH & SPEC. NO.		DRAWN	ELEC. DES. APP. MECH. DES. APP.
		CHECKED	FINAL APPROVAL
		CK10410	