

CK-10316 A

USED ON

DATE

JULY 3/58

ASS'Y. NO.

PROJECT NO.

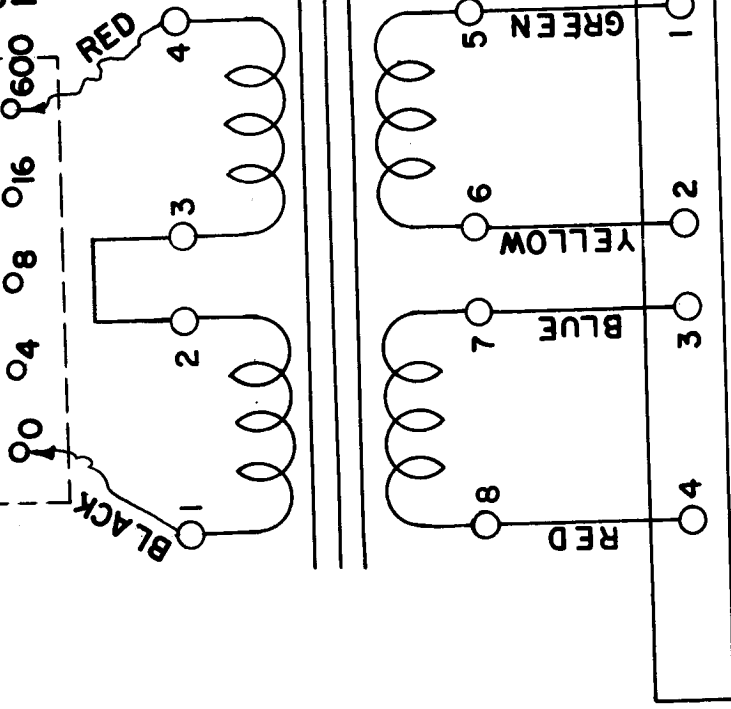
MODEL

GPR-90R X 8 } MOD. CAN-2
 GPR-90 }
 FFR. MOD. CAN-3

IF IT IS FOUND DESIRABLE TO CHANGE ANY TOLERANCE OR OTHER DETAIL SPECIFIED ON THIS DRAWING NOTIFY THE PURCHASER PROMPTLY.

MAXIMUM ALLOWABLE TOLERANCES HAVE BEEN DETERMINED AND DEVIATIONS WILL BE CAUSE FOR REJECTION. REMOVE ALL BURRS AND SHARP EDGES

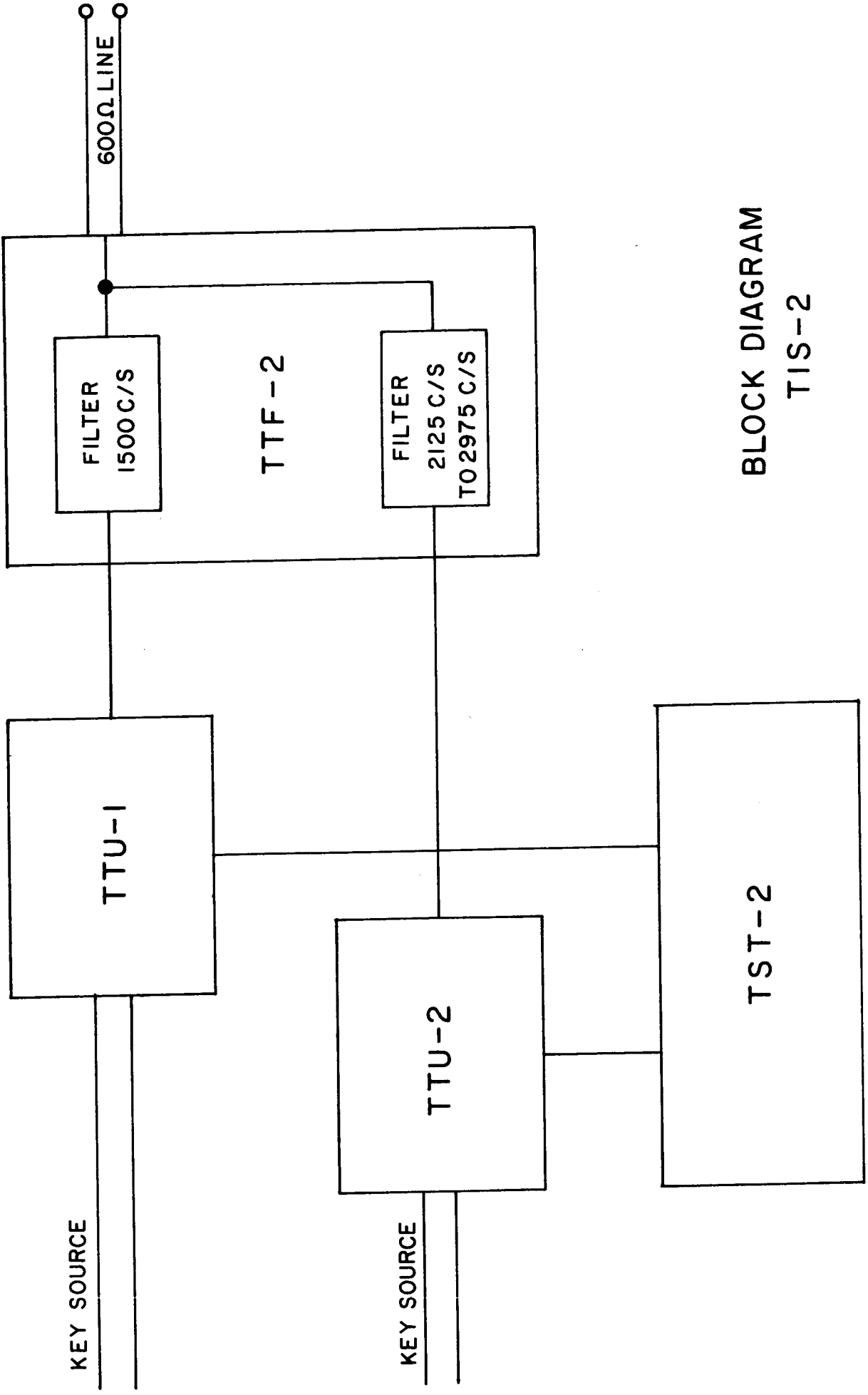
SPEAKER TERMINAL STRIP AT REAR OF CHASSIS



REF. HAMMOND 804

REQ. ITEM	PART NO.	DESCRIPTION	SYMBOL
		TMC (Canada) LIMITED ONTARIO	
		AUXILIARY AUDIO	
		TRANSFORMER WIRING	
		J.P.C.	J.P.C.
		DRAWN	J.P.C.
		CHECKED	J.P.C.
		TYPE & TEMPER	ELEC. DES. APP. MECH. DES. APP.
		HEAT TREAT. SPEC.	FINAL APPROVAL
		FINISH & SPEC. NO.	CK-10316
			A

ISSUE ITEM	CHANGED FROM	DATE	CN. NO.	DRAFTS CHECKER	ENG. APP.
A	DRAWING CORRECTED	4/18/60	JPC	R.N.Y.	
TOLERANCES					
SCALE — 804					
DRILL, PUNCH, COMMERCIAL STOCK SIZES AND MANUFACTURERS TOLERANCES ARE NOT INCLUDED.					
ALL OTHERS	DEC. DIM. ±	FRAC. DIM. ±	ANGULAR DIM. ±		



BLOCK DIAGRAM
TIS-2

E 202 OF TTU-1

10 20 30 40 50

OUTPUT

E301

10 20 30 40

TTF-2

E302

10 20 30 40 50 60 70 80

E303

10 20 30 40 50 60 70 80

TTU - 2

E191

10 20 30 40 50 60 70 80 90

TTU - 1

E201

05 04 03 02 01

TST-2

KEYING SOURCE

KEYING SOURCE

INTERCONNECT DIAGRAM FOR POSITIVE PULSE KEYING

E 202 OF TTU-1



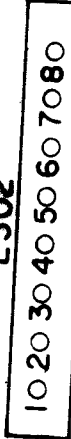
OUTPUT

E301

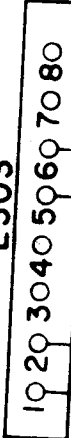


TTF-2

E302

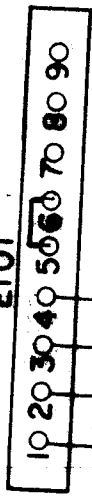


E303



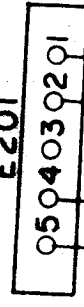
TTU-2

E101



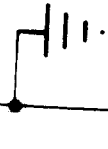
TTU-1

E201

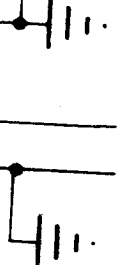


TST-2

KEYING SOURCE



KEYING SOURCE



INTERCONNECT DIAGRAM FOR CURRENT KEYING

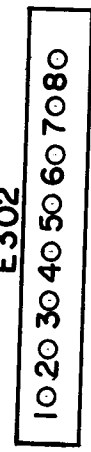
E 202 OF TTU-1



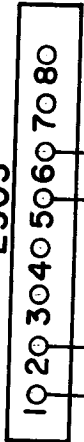
OUTPUT

TTF-2

E302

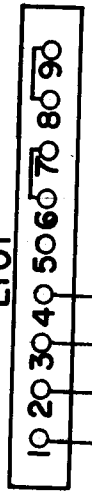


E303



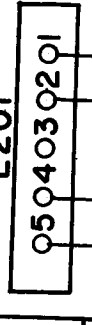
TTU - 2

E101



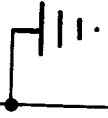
TTU - 1

E201

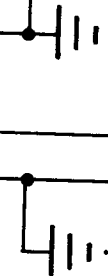


TST-2

KEYING SOURCE



KEYING SOURCE



INTERCONNECT DIAGRAM FOR NEGATIVE PULSE KEYING

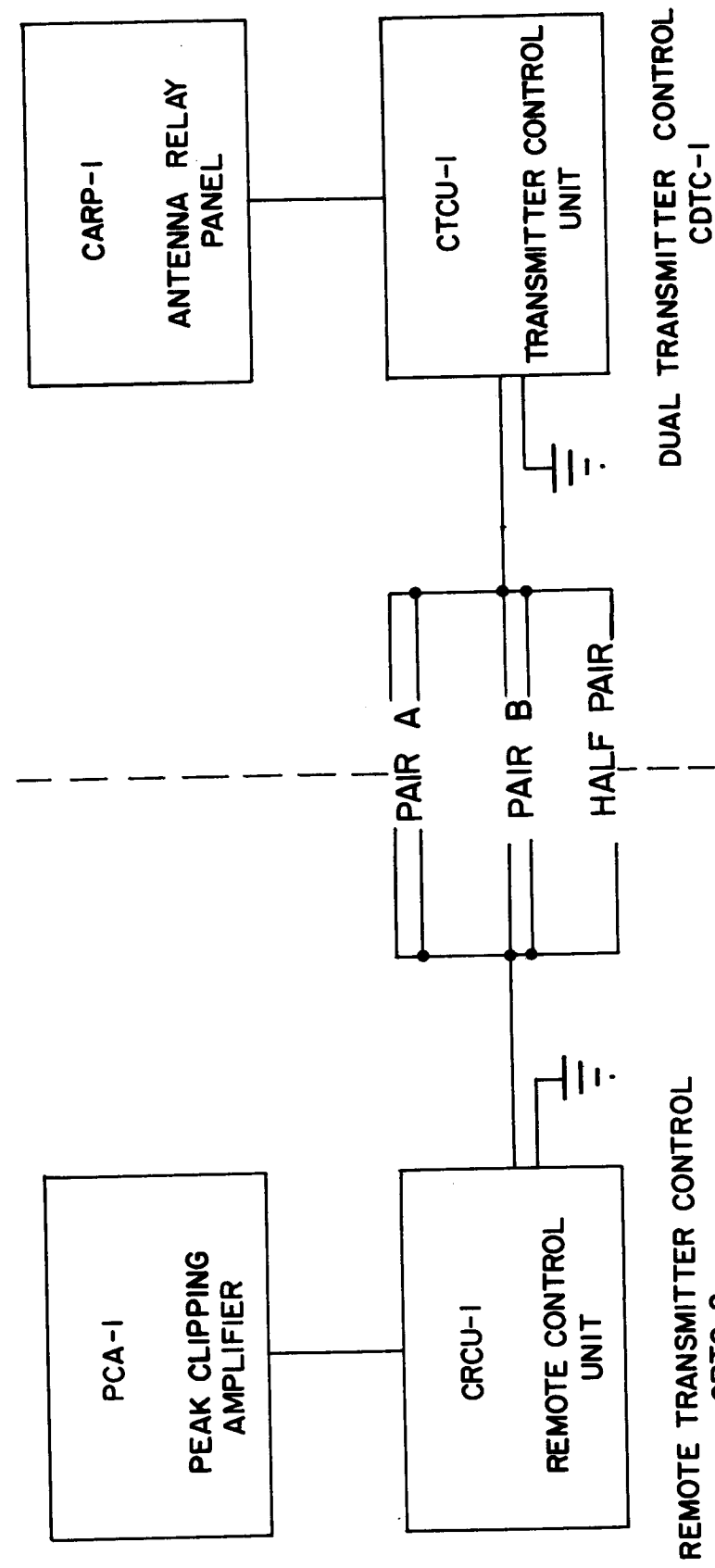
IF IT IS FOUND DESIRABLE TO CHANGE ANY TOLERANCE OR OTHER DETAIL SPECIFIED ON THIS DRAWING NOTIFY THE PURCHASER PROMPTLY.

MAXIMUM ALLOWABLE TOLERANCES HAVE BEEN DETERMINED AND DEVIATIONS WILL BE CAUSE FOR REJECTION. REMOVE ALL BURRS AND SHARP EDGES

CK 10332

USED ON
PROJECT NO. ASSY. NO. DATE
NOV.9/59

MODEL
CE5004 A



REMOTE TRANSMITTER CONTROL
CRTC-2

DUAL TRANSMITTER CONTROL
CDTC-1

REQ. ITEM	PART NO.	DESCRIPTION	SYMBOL
		TMC (Canada) LIMITED OTTAWA ONTARIO	
		BLOCK DIAGRAM	
		D.O.T. REMOTE CONTROL	
		JPC	
		DRAWN R. W. Thomas	
		CHECKED <i>[Signature]</i>	
		FINAL APPROVAL <i>[Signature]</i>	
		MECH. DES. APP.	
		ELEC. DES. APP.	
		SCALE	
		CHANGED FROM	
		DATE	
		CN. NO.	
		DRAFTS	
		CHECKER	
		ENG. APP.	
		DRILL, PUNCH, COMMERCIAL STOCK SIZES AND MANUFACTURERS TOLERANCES ARE NOT INCLUDED.	
		TOLERANCES	
		DEC. DIM. ±	
		FRAC. DIM. ±	
		OTHERS	
		ANGULAR DIM. ±	
		FINISH & SPEC. NO.	
		CK 10332	

IF IT IS FOUND DESIRABLE TO CHANGE ANY TOLERANCE OR OTHER DETAIL SPECIFIED ON THIS DRAWING NOTIFY THE PURCHASER PROMPTLY.

MAXIMUM ALLOWABLE TOLERANCES HAVE BEEN DETERMINED AND DEVIATIONS WILL BE CAUSE FOR REJECTION. REMOVE ALL BURRS AND SHARP EDGES

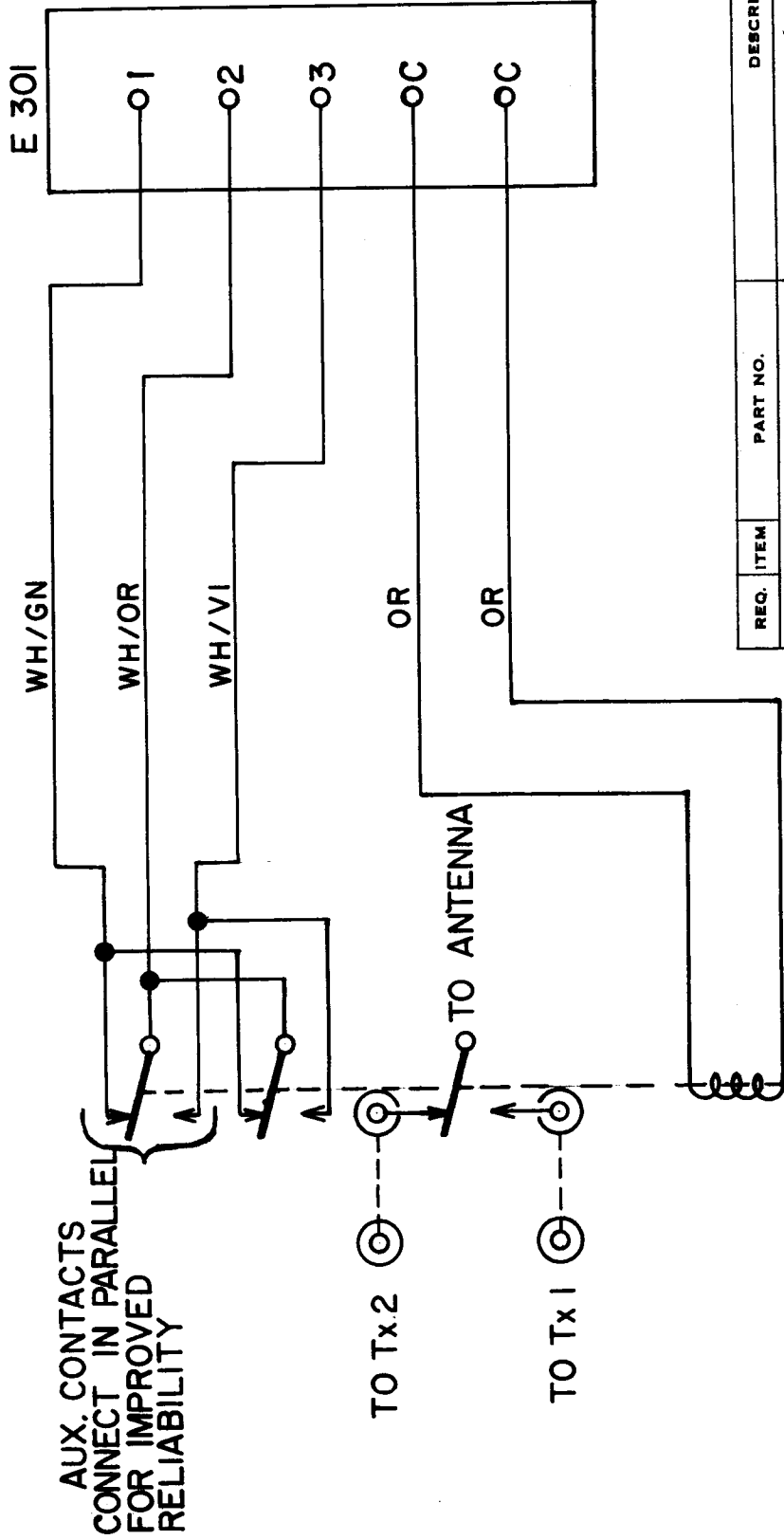
CK 10335

USED ON

PROJECT NO. ASSY. NO. DATE

CARP-1 CE5004-A

SEPT. 17/59

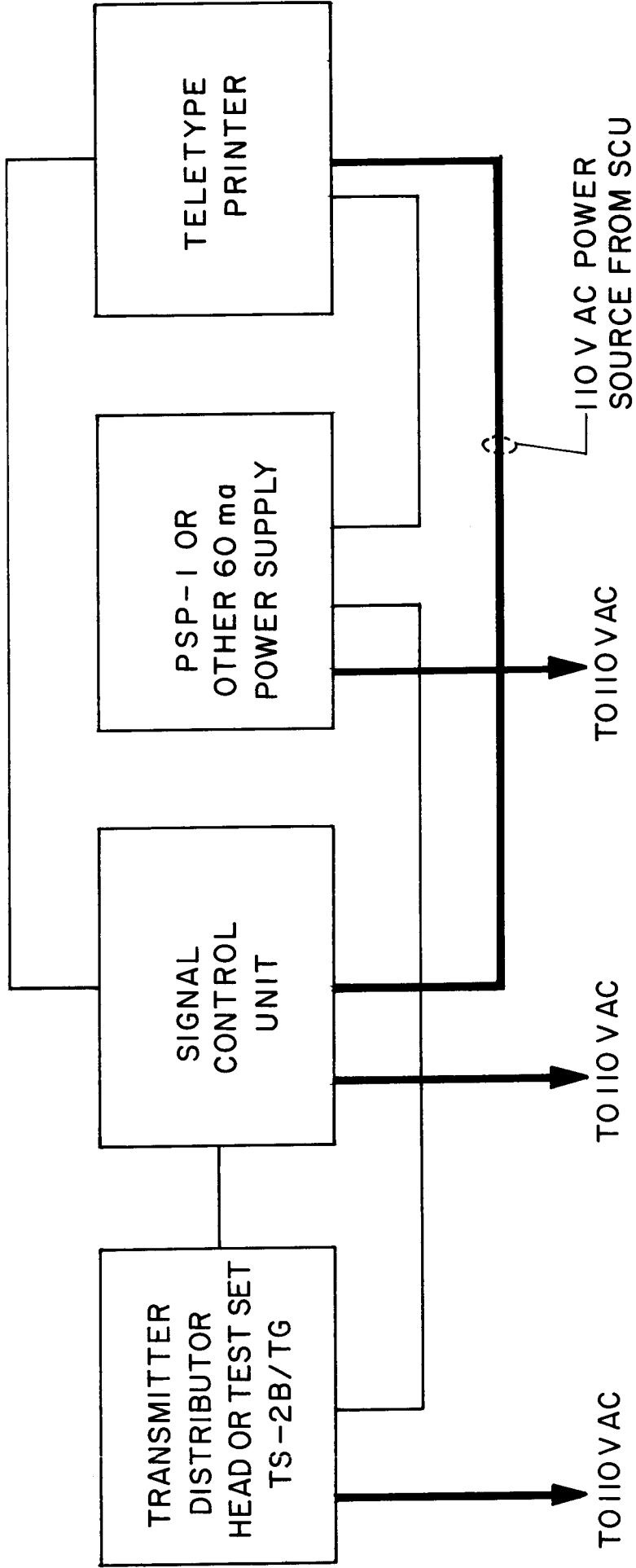


AUX. CONTACTS CONNECT IN PARALLEL FOR IMPROVED RELIABILITY

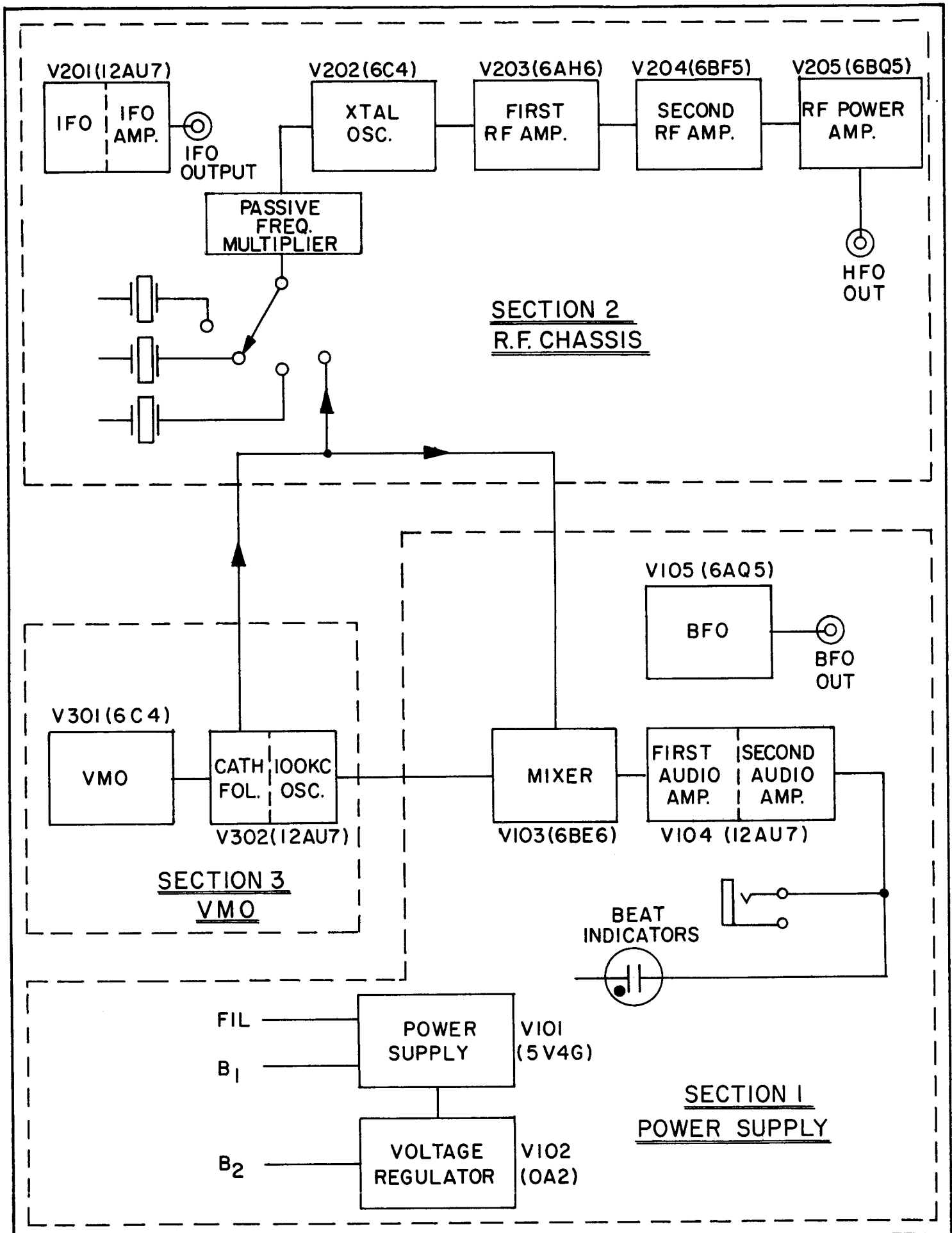
RY301
ADVANCE
CBIC2C115VA

REQ. ITEM	PART NO.	DESCRIPTION	SYMBOL
		TMC (Canada) LIMITED OTTAWA	
		ANTENNA RELAY	
		CARP-1	
		J.P.C.	R.W. Thomas
		DRAWN	ELEC. DES. APP.
		CHECKED	MECH. DES. APP.
			FINAL APPROVAL
			CK 10335

ISSUE ITEM	CHANGED FROM	DATE	CN. NO.	DRAFTS	CHECKER	ENG. APP.
TOLERANCES						
DEC. DIM. ±						
FRAC. DIM. ±						
ANGULAR DIM. ±						
DRILL, PUNCH, COMMERCIAL STOCK SIZES AND MANUFACTURERS TOLERANCES ARE NOT INCLUDED.						



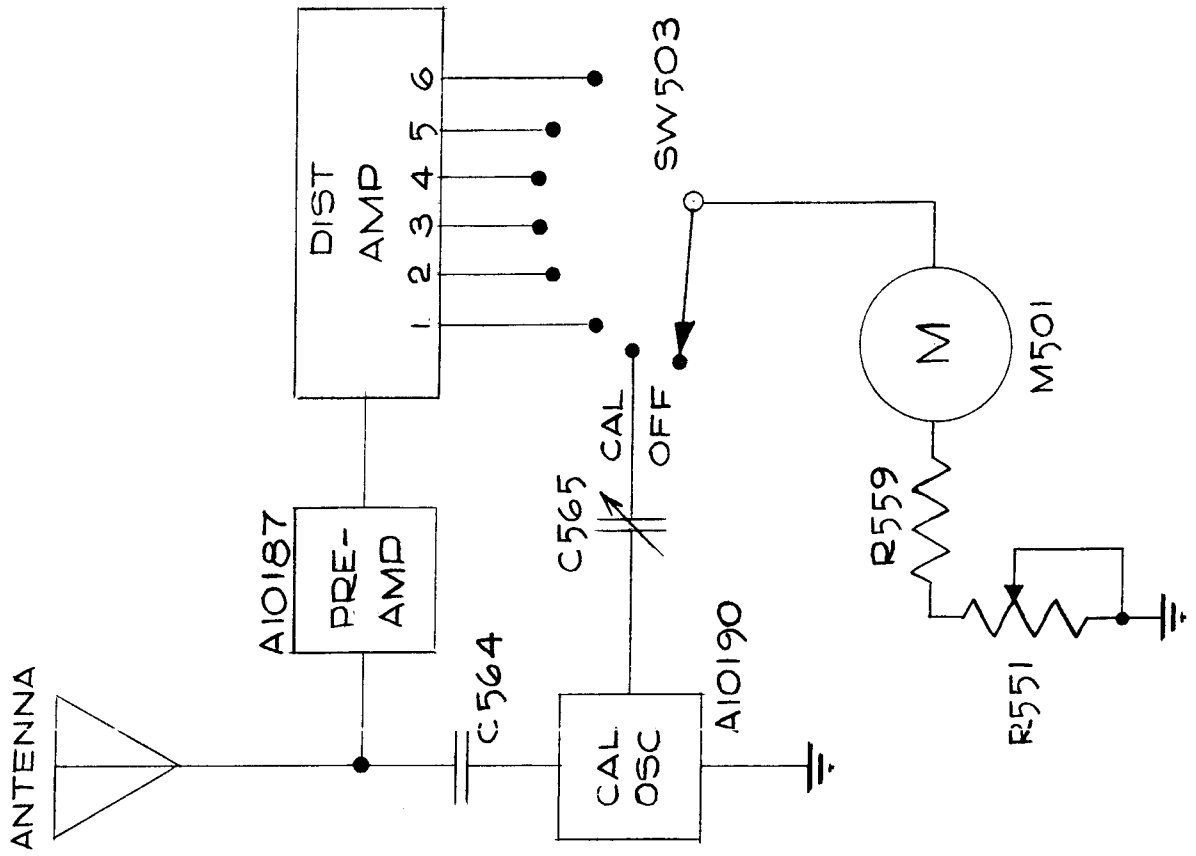
TEST SCHEMATIC FOR SCU



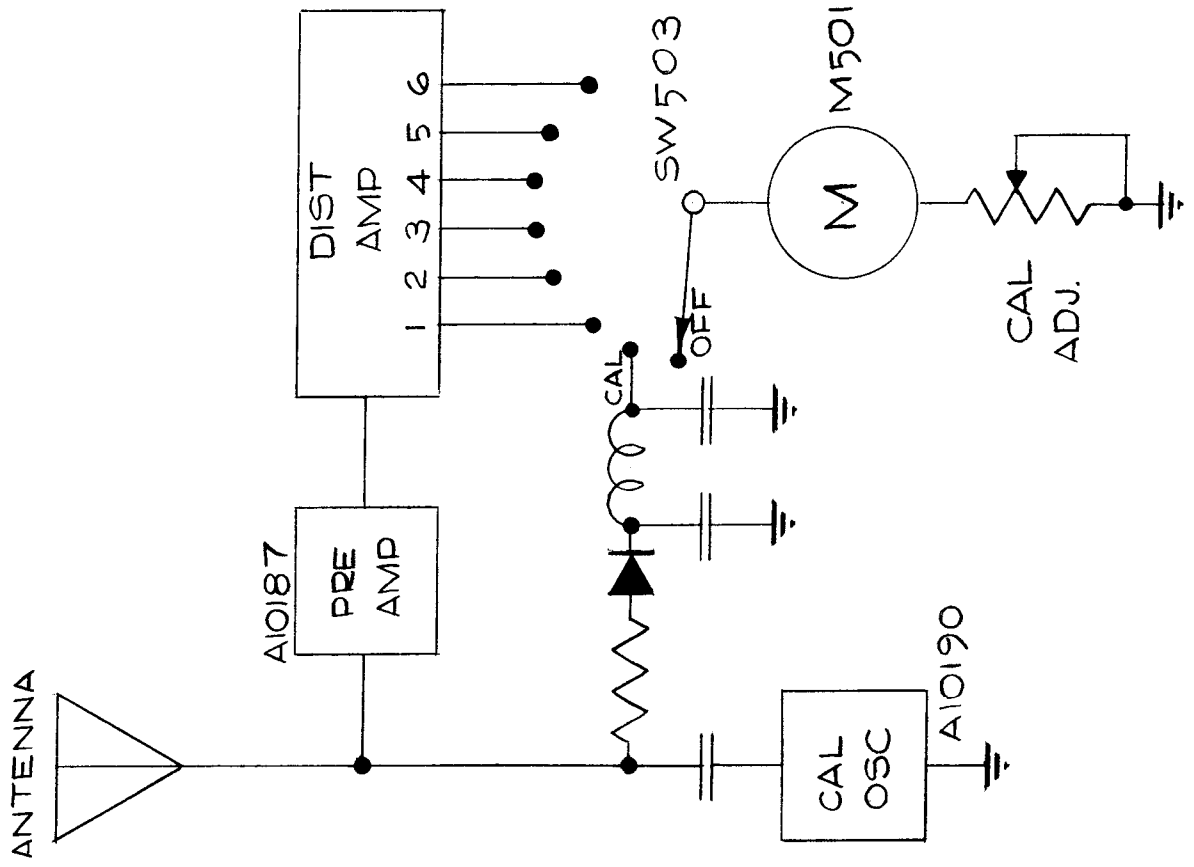
BLOCK DIAGRAM OF THE VFO, MODEL VOX-2 (MODIFIED)

AMC6-5 DYNAMIC TEST CIRCUIT

CURRENT DESIGN



PROPOSED MODIFICATION



IF IT IS FOUND DESIRABLE TO CHANGE ANY TOLERANCE OR OTHER DETAIL SPECIFIED ON THIS DRAWING NOTIFY THE PURCHASER PROMPTLY.

MAXIMUM ALLOWABLE TOLERANCES HAVE BEEN DETERMINED AND DEVIATIONS WILL BE CAUSE FOR REJECTION. REMOVE ALL BURRS AND SHARP EDGES

CK 10364

USED ON

DATE

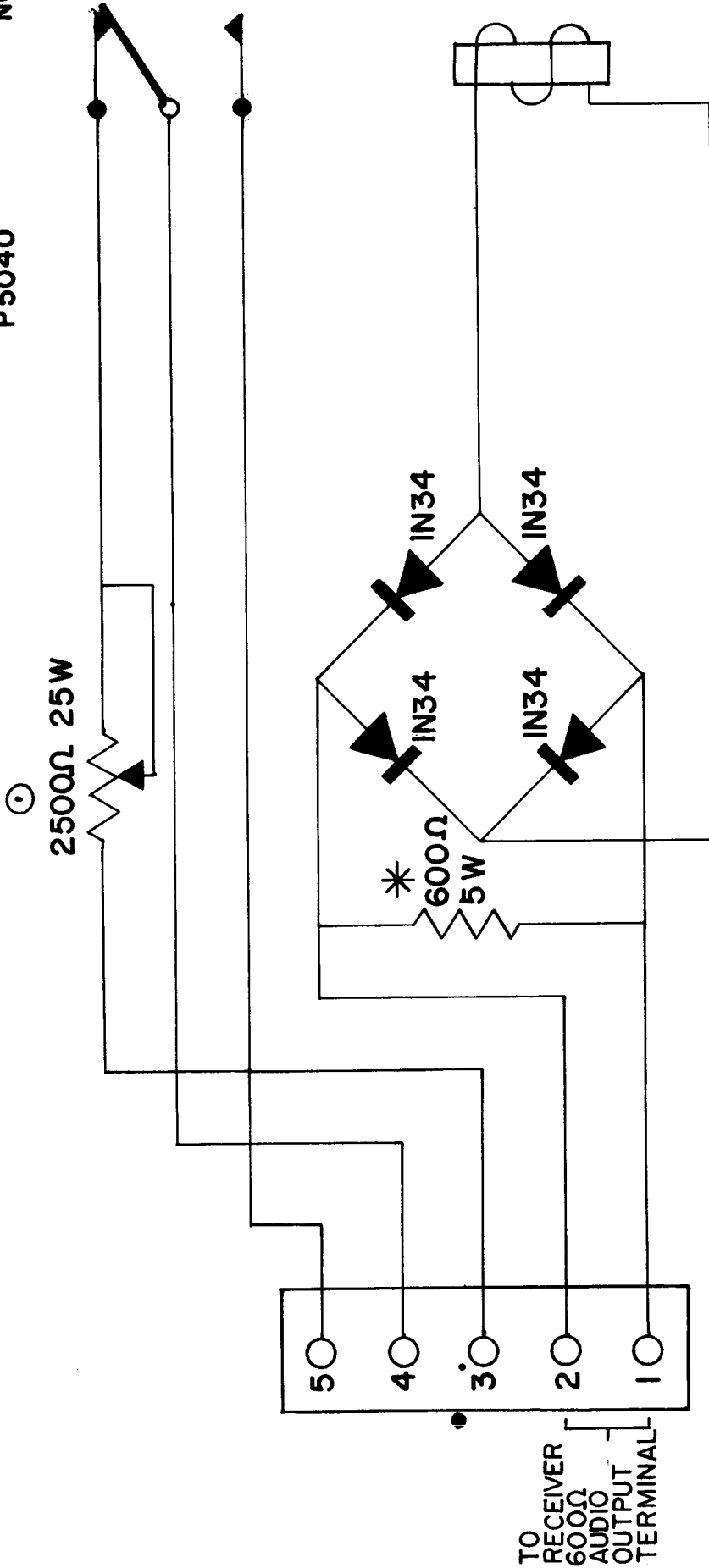
ASS'Y. NO.

PROJECT NO.

MODEL

NOV. 25/59

P 5040



NOTE:

* THIS RESISTOR REQUIRED ONLY WHEN RECEIVER AUDIO OUTPUT IS UNLOADED

⊙ THIS RESISTOR REQUIRED ONLY FOR TELEPRINTER "MARK HOLD" FACILITY IN ABSENCE OF AUDIO SIGNAL.

REQ. ITEM	PART NO.	DESCRIPTION	SYMBOL
		TMC (Canada) LIMITED OTTAWA ONTARIO	
		MOD. KIT FOR Rx.'S GPR-90,	
		GPR-90 - RX & FR.	
		JPC	
		DRAWN <i>R. N. Thomas</i>	
		CHECKED <i>AMB</i>	
		MECH. DES. APP.	
		MECH. DES. APP.	
		CHECKED	
		FINAL APPROVAL	
		CK 10364	

TOLERANCES

DEC. DIM. ±
FRAC. DIM. ±
OTHERS ANGULAR DIM. ±

SCALE
DRILL, PUNCH, COMMERCIAL STOCK SIZES AND MANUFACTURERS TOLERANCES ARE NOT INCLUDED.

CK10384

USED ON

DATE

8/31/60

ASS'Y. NO.

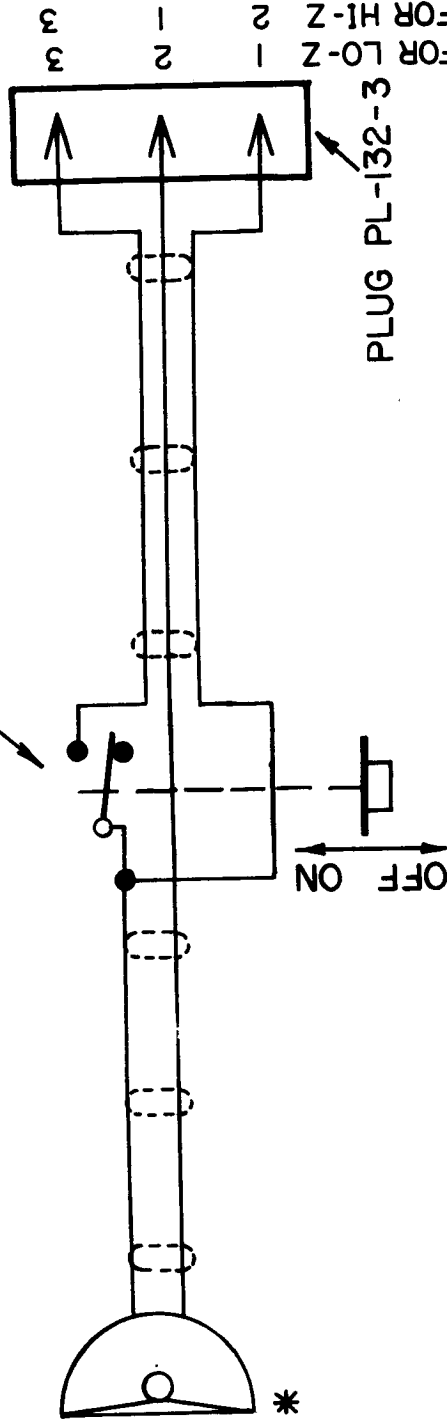
PROJECT NO.

MODEL

IF IT IS FOUND DESIRABLE TO CHANGE ANY TOLERANCE OR OTHER DETAIL SPECIFIED ON THIS DRAWING NOTIFY THE PURCHASER PROMPTLY.

MAXIMUM ALLOWABLE TOLERANCES HAVE BEEN DETERMINED AND DEVIATIONS WILL BE CAUSE FOR REJECTION REMOVE ALL BURRS AND SHARP EDGES

MICROPHONE PUSH-TO-TALK (P.T.T.)
STAND SWITCH



NOTE: * FOR USE WITH CRCU-IM MICROPHONE IS LO-Z (50Ω) (MK-10003)
FOR USE WITH CTCU-IM MICROPHONE IS HI-Z (MK-102)

REQ	ITEM	FART NO	DESCRIPTION	SYMBOL
			TMC (Canada) LIMITED OTTAWA ONTARIO	
			MICROPHONE CONNECTIONS	
			FOR CRCS-1	
			JPC DRAWN R. W. THOMPSON ELEC. DES. APP.	MECH. DES. APP.
			CHECKED FINAL APPROVAL	
			HEAT TREAT SPEC.	
			FINISH & SPEC. NO	CK 10384

ISSUE	ITEM	CHANGED FROM	DATE	CN. NO.	DRAFTS	CHECKER	ENG. APP.
TOLERANCES							
SCALE							
DIMENSIONS IN INCHES							
UNLESS OTHERWISE SPECIFIED							
DRILL, PUNCH, COMMERCIAL STOCK							
SIZES AND MANUFACTURERS							
TOLERANCES ARE NOT INCLUDED.							

