

IF IT IS FOUND DESIRABLE TO CHANGE ANY TOLERANCE OR OTHER DETAIL SPECIFIED ON THIS DRAWING NOTIFY THE PURCHASER PROMPTLY.

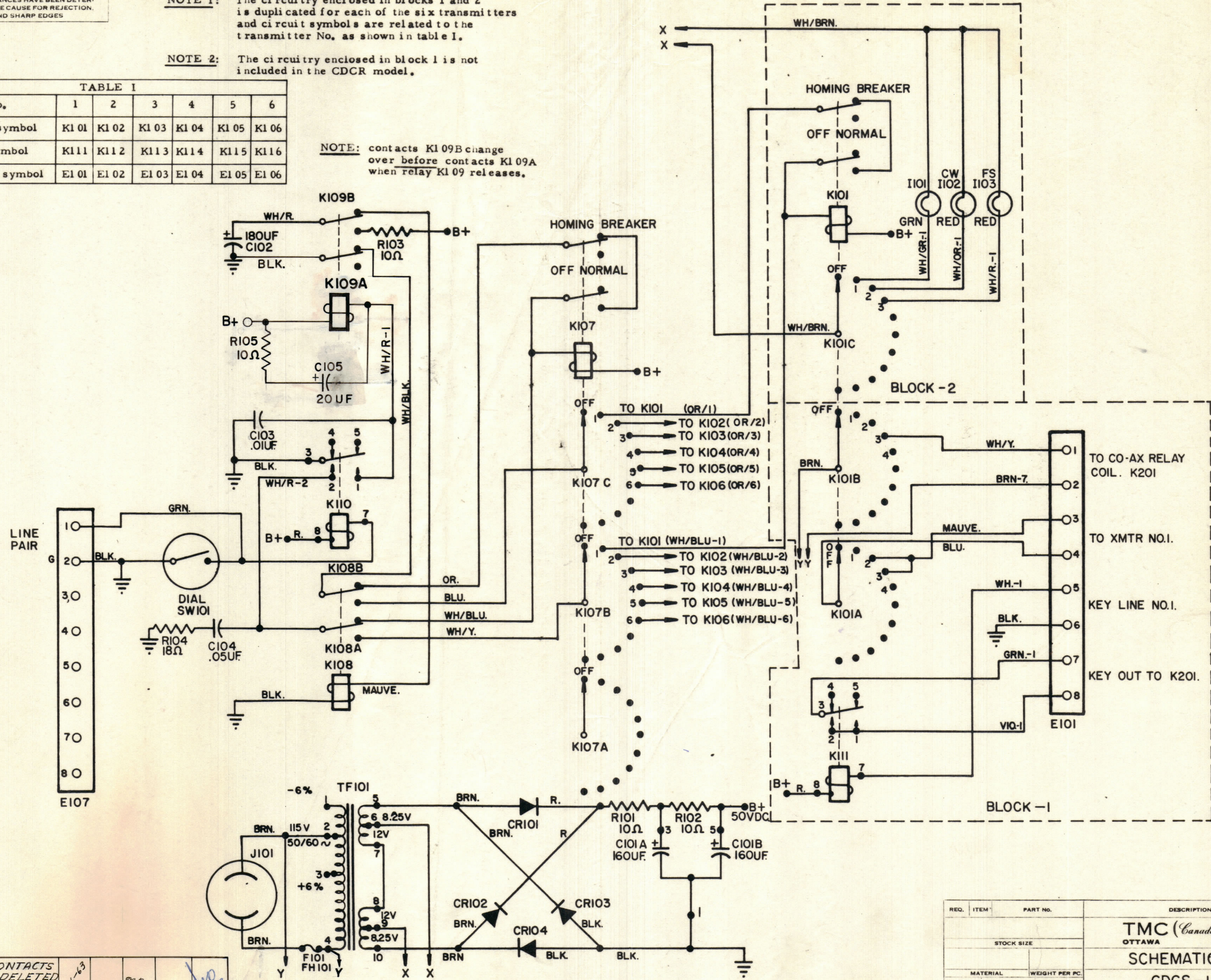
MAXIMUM ALLOWABLE TOLERANCES HAVE BEEN DETERMINED AND DEVIATIONS WILL BE CAUSE FOR REJECTION. REMOVE ALL BURRS AND SHARP EDGES

NOTE 1: The circuitry enclosed in blocks 1 and 2 is duplicated for each of the six transmitters and circuit symbols are related to the transmitter No. as shown in table I.

NOTE 2: The circuitry enclosed in block 1 is not included in the CDCR model.

NOTE: contacts K109B change over before contacts K109A when relay K109 releases.

Transmitter No.	1	2	3	4	5	6
Stepping relay symbol	K101	K102	K103	K104	K105	K106
Keying relay symbol	K111	K112	K113	K114	K115	K116
Terminal Strip symbol	E101	E102	E103	E104	E105	E106



CK10393
A

A	UNUSED CONTACTS OF K109 DELETED C105 & R105 ADDED	10-6-63	220				
ISSUE	ITEM	CHANGED FROM	DATE	CN. NO.	DRAFTS	CHECKER	ENG. APP.
TOLERANCES		SCALE					
ALL OTHERS	DEC. DIM ± FRAC. DIM ± ANGULAR DIM ±	DRILL, PUNCH, COMMERCIAL STOCK SIZES AND MANUFACTURERS TOLERANCES ARE NOT INCLUDED.					

MODEL	PROJECT NO.	ASS'Y. NO.	DATE
			6/10/60

REQ. ITEM	PART NO.	DESCRIPTION	SYMBOL
TMC (Canada) LIMITED OTTAWA ONTARIO			
SCHEMATIC			
CDCS-1			
JPC		R. W. Thomas	
DRAWN		ELEC. DES. APP.	
HEAT TREAT. SPEC.		MECH. DES. APP.	
CHECKED		FINAL APPROVAL	
			CK10393 A