

IF IT IS FOUND DESIRABLE TO CHANGE ANY TOLERANCE OR OTHER DETAIL SPECIFIED ON THIS DRAWING NOTIFY THE PURCHASER PROMPTLY.

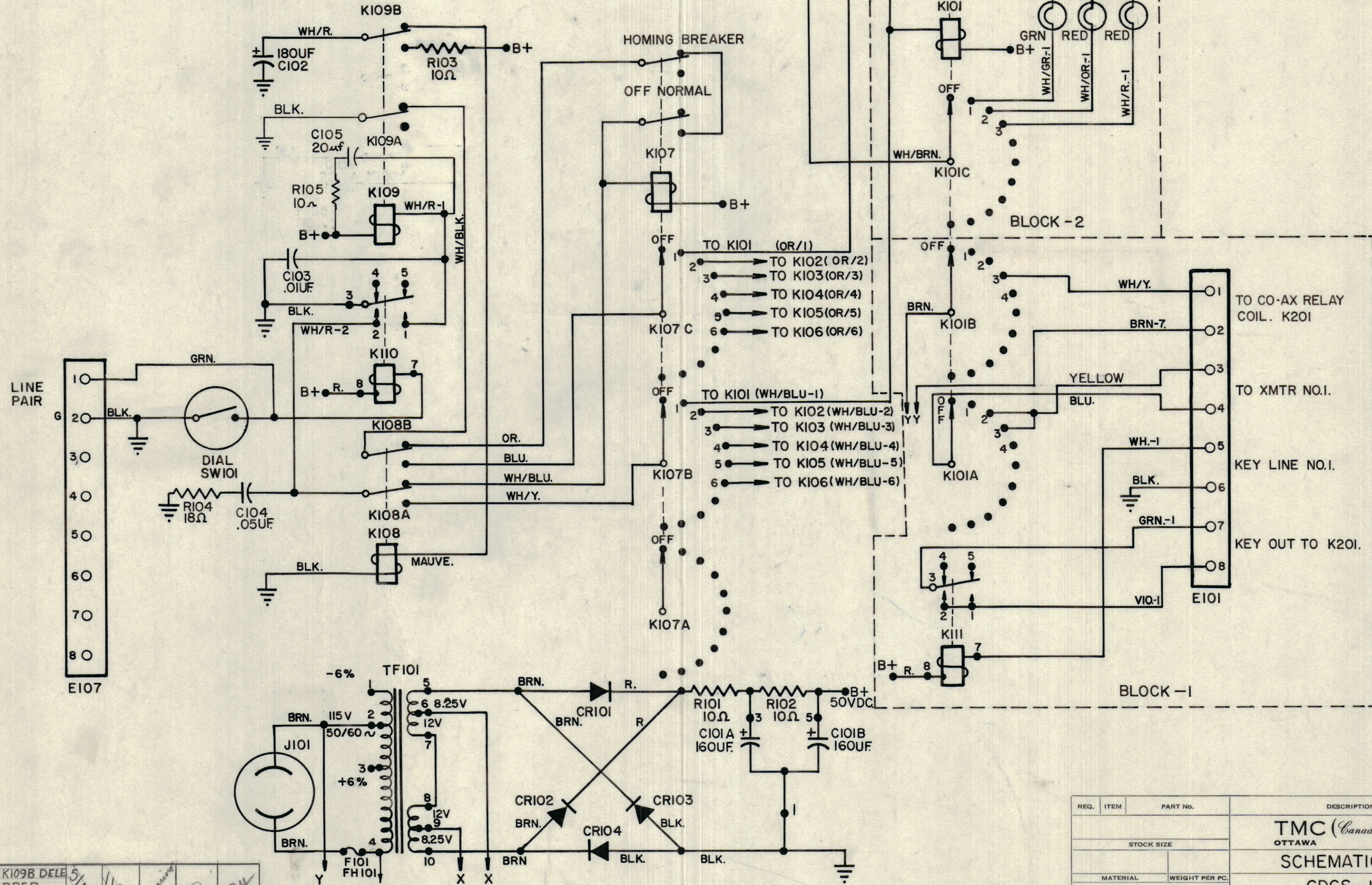
MAXIMUM ALLOWABLE TOLERANCES HAVE BEEN DETERMINED AND DEVIATIONS WILL BE CAUSE FOR REJECTION. REMOVE ALL BURRS AND SHARP EDGES

NOTE 1: The circuitry enclosed in blocks 1 and 2 is duplicated for each of the six transmitters and circuit symbols are related to the transmitter No., as shown in table I.

NOTE 2: The circuitry enclosed in block 1 is not included in the CDCR model.

Transmitter No.	1	2	3	4	5	6
Stepping relay symbol	K101	K102	K103	K104	K105	K106
Keying relay symbol	K111	K112	K113	K114	K115	K116
Terminal Strip symbol	E101	E102	E103	E104	E105	E106

NOTE: contacts K109B change over before contacts K109A when relay K109 releases.



NOTICE TO PERSONS RECEIVING THIS DRAWING

THE TECHNICAL MATERIEL CORPORATION claims proprietary right in the material disclosed hereon. This drawing is issued in confidence for engineering information only and may not be reproduced or used to manufacture anything shown hereon without permission from THE TECHNICAL MATERIEL CORPORATION to the user. This drawing is loaned for mutual assistance and is subject to recall at any time.

Property of:
THE TECHNICAL MATERIEL CORPORATION
MAMARONECK, NEW YORK

CK10393
A

AI	4 CONTACTS ON K109B DELETED C105 & R105 ADDED YELLOW WAS MAUVE 1Y CONNECTION RELOC.	5/14/64	11357	am	@	MMH	
ISSUE	ITEM	CHANGED FROM	DATE	CN. NO.	DRAFTS	CHECKER	ENG. APP.
TOLERANCES		SCALE:					
ALL OTHERS	DEC. DIM. ± FRAC. DIM. ± ANGULAR DIM. ±	DRILL PUNCH, COMMERCIAL STOCK SIZES AND MANUFACTURERS TOLERANCES ARE NOT INCLUDED.					

MODEL	PROJECT No.	ASS'Y. No.	DATE
			6/10/60
USED ON			

REQ.	ITEM	PART No.	DESCRIPTION	SYMBOL
TMC (Canada) LIMITED OTTAWA ONTARIO				
SCHEMATIC				
CDCS-1				
TYPE & TEMPER		JPC		
DRAWN		R W Thomas		
HEAT TREAT. SPEC.		ELEC. DES. APP.		
CHECKED		MECH. DES. APP.		
FINISH & SPEC. No.		FINAL APPROVAL		
				CK10393 A