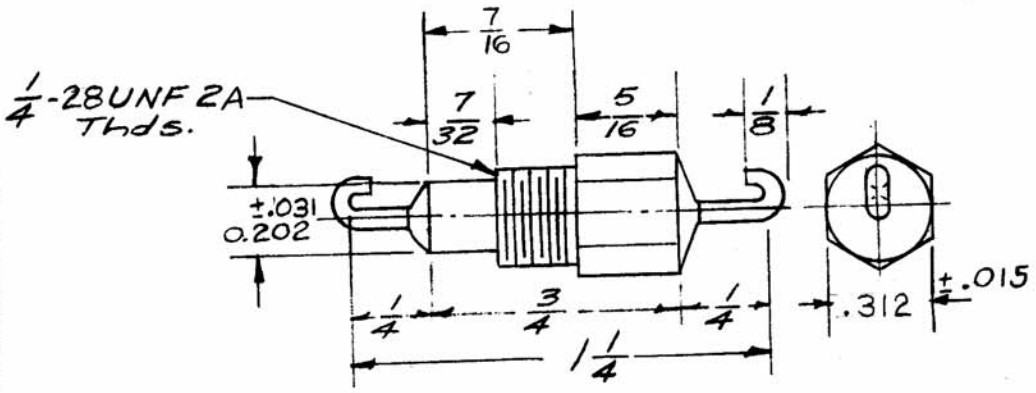


CHARACTERISTICS

CHAR. CODE	CHAR.	
AW	MAX. AMBIENT TEMP.	+85°C
	MIN. AMBIENT TEMP.	-55°C
	Insulation Resistance Min. (Megohm)	
	At 25°C	7500
	At 85°C	1000
	Power Factor at 25°C, 1 KC per second (percent)	2.0 MAX.
Life Test Voltage in percent of rated voltage	200	
Cap. Change over temp. range. (percent)	+22, -56	

REQ. PER UNIT	USED ON		
	MODEL	ASS'Y. NO.	DATE
			CK70 B



Leads- No. 16 tinned dead soft copper.

Mtg. Hardware (Nut & Int. tooth Lock-washer) Supplied by Mfg.

Type Designation shall be in the following form:

CK70 AW 47.1 M

STYLE & DWG. NO. CHARACTERISTIC CAPACITANCE in mmfd. (3rd Digit = # of Zeros) TOLERANCE

EXAMPLE : CK70AW102M = 1000 mmfd. ±20%
CK70AW100M = 10 mmfd. ±20%

Acc/With MIL-C-11015/13 & Amend.

CAP. TOLERANCE	
CODE	TOL. (%)
M	±20
X	+80 -20

NOTE - VOLTAGE
DC Working Voltage will be 1000V. for any cap. value below 470mmf., & 500V. for 470mmf. or higher.

ISSUE	ITEM	CHANGED FROM	DATE	CH. NO.	DRAFTS	CHECKER	ENG. APP.
B	1	EXTENSIVE CHG'S REFER TO EMN*	4-8-64	11193	AM	<i>[Signature]</i>	<i>[Signature]</i>
A	2	CHAR. CODE WAS "A"	10-5-62	7387	<i>[Signature]</i>	<i>[Signature]</i>	<i>[Signature]</i>
A	1	CAP CHANGE WAS +10, -35					

TOLERANCES SCALE: $\frac{1}{32}$

DEC. DIM. ±
FRAC. DIM. ±
ANGULAR DIM. ±

MAXIMUM ALLOWABLE TOLERANCES HAVE BEEN DETERMINED AND ANY DEVIATIONS WILL BE CAUSE FOR REJECTION. REMOVE ALL BURRS AND SHARP EDGES

REQ. ITEM	PART NO.	DESCRIPTION	SYMBOL
		THE TECHNICAL MATERIEL CORP. MAMARONECK. NEW YORK	
		CAPACITOR, FIXED, CERAMIC, FEEDTHRU	
		16 7/21/58 <i>[Signature]</i>	<i>[Signature]</i>
		DRAWN <i>[Signature]</i> CHECKED	FINAL APPROVAL
		ELEC. DES. APP. MECH. DES. APP.	CK70 B