

REQ.	ITEM	PART NO.	DESCRIPTION	SYMBOL
------	------	----------	-------------	--------

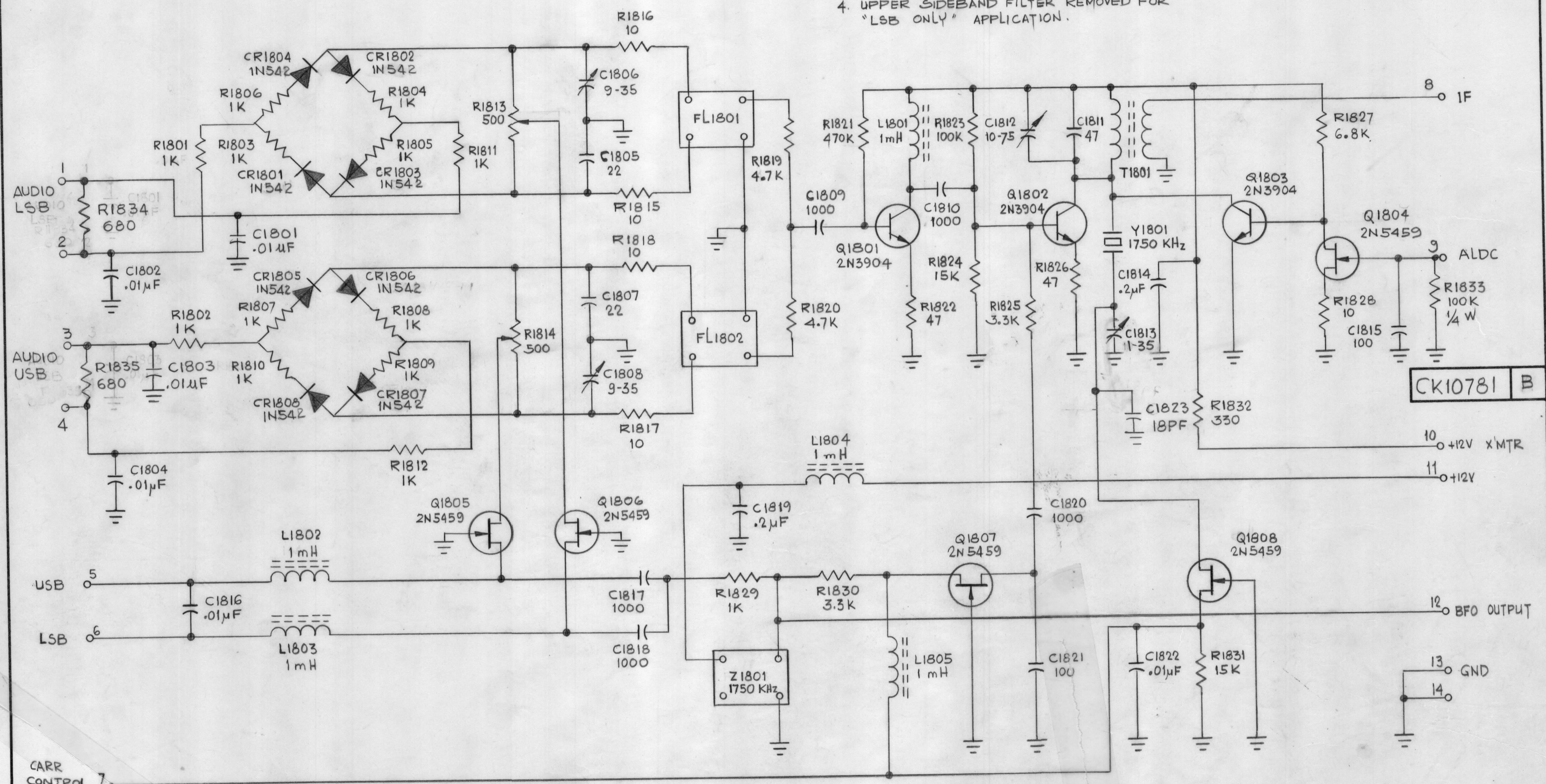
IF IT IS FOUND DESIRABLE TO CHANGE ANY TOLERANCE OR OTHER DETAIL SPECIFIED ON THIS DRAWING NOTIFY THE PURCHASER PROMPTLY.

MAXIMUM ALLOWABLE TOLERANCES HAVE BEEN DETERMINED AND DEVIATIONS WILL BE CAUSE FOR REJECTION. REMOVE ALL BURRS AND SHARP EDGES.

DIMENSIONS IN INCHES UNLESS OTHERWISE SPECIFIED.

ISSUE	ITEM	CHANGED FROM	DATE	CN. NO.	DRAFTS	CHECKER	ENG. APP.
A		REV PER CEMN	APR 20 71	952	JR		
B		CR1801 - CR1808 TYP WAS IN 34-C1813 WAS 10-75-C1823 ADD	12-10-76	21494	GDL		

- NOTES:-
1. FL1801 IS FX10014 - 1D
  2. FL1802 IS FX10014 - 2D
  3. LOWER SIDEBAND FILTER REMOVED FOR "USB ONLY" APPLICATION.
  4. UPPER SIDEBAND FILTER REMOVED FOR "LSB ONLY" APPLICATION.



UNLESS OTHERWISE SPECIFIED:  
CAPACITANCE IN PICO FARAD  
RESISTANCE IN OHMS, 1/2 WATT.

STOCK SIZE		TMC (Canada) LIMITED OTTAWA ONTARIO	
MATERIAL		SCHEMATIC DIAGRAM	
WEIGHT PER PC.		TRANSMIT IF BOARD.	
TYPE & TEMPER.		DSN	
HEAT TREAT. SPEC.		PROCTOR	Nathan
FINISH & SPEC. NO.		FINAL APPROVAL	
		CK10781 B	

SME-5	107/70	A10914-5	12 NOV 70
MODEL	PROJECT NO.	ASS'Y. NO.	DATE
USED ON			

REVISION	DATE	BY	APP.