

NOTICE TO PERSONS RECEIVING THIS DRAWING
 THE TECHNICAL MATERIEL CORPORATION claims proprietary right in the materiel disclosed hereon. This drawing is issued in confidence for engineering information only and may not be reproduced or used to manufacture anything shown hereon without permission from THE TECHNICAL MATERIEL CORPORATION to the user. This drawing is loaned for mutual assistance and is subject to recall at any time.

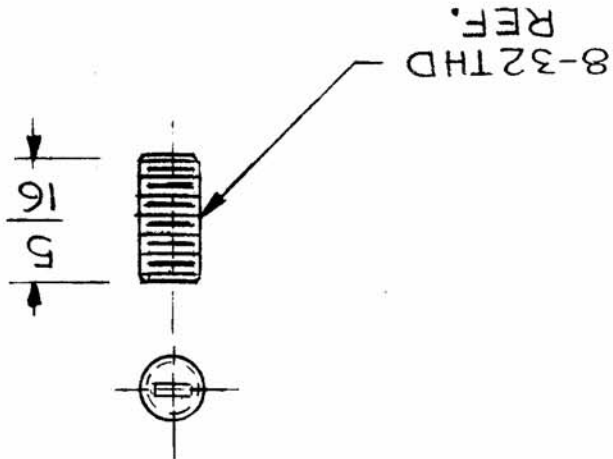
SCALE 2:1	SHEET	OF
SIZE A	CODE IDENT. NO. 82679	DWG NO. CI 142
ISSUE		

FINISH	DRAWN G.D.L.	DATE 2-24-74
MATERIAL SEE NOTE	CHECKED	DATE
	ELECT. DES.	DATE
	MECH. DES.	DATE
	FINAL APPROVAL	DATE 1/10/77
LIST OF MATERIAL		
UNLESS OTHERWISE SPECIFIED DIMENSIONS ARE IN INCHES AND INCLUDE CHEMICALLY APPLIED OR PLATED FINISHES	REQ'D ITEM	PART NUMBER
DECIMALS X ± .06 XX ± .01 XXX ± .005	DESCRIPTION	SYM.
FRACTIONS 1/64		
TOLS. ANGLES 0° 30'		

THE TECHNICAL MATERIEL CORP.
 MAMARONECK, NEW YORK

CORE TUNING

MATERIAL:
 MADE FROM: CI 136, ITEM 4 * SL.
 MFG. PART NO. 27-004



APPLICATION		REVISIONS							
QTY	MODEL USED ON	ASS'Y. NO.	LTR	DESCRIPTION	DATE	E.M.N. NO.	DRAFT	CHKD	APPD
3	GPR 110	CL489		Original Release	1/15/77				*