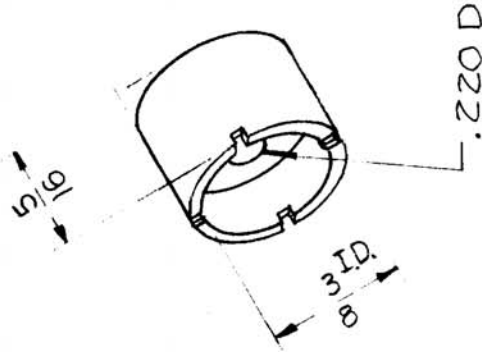


REQ. PER. UNIT		USED ON	
2	GPR-92	ASBY. N.	DATE
1	GPR-92	A-2138	9-1-61
		A-2139	

CI-122

DIM. FOR REF. ONLY



REQ. ITEM		PART NO.		SYMBOL	
				GELLMAN	
ISSUE ITEM		CHANGED FROM		DESCRIPTION	
				THE TECHNICAL MATERIEL CORP.	
				MAMARONECK, NEW YORK	
				CUP CORE, FERRITE	
DATE		CH. NO.		DRAWN	
				R. LUZZO	
DRAFTS		CHECKER		CHECKED	
				J. De	
ENG. APP.		SCALE		FINAL APPROVAL	
		5-401-140 #N478		JMA BP	
TOLERANCES		MAXIMUM ALLOWABLE TOLERANCES HAVE BEEN DETERMINED AND ANY DEVIATIONS WILL BE CAUSE FOR REJECTION. REMOVE ALL BURRS AND SHARP EDGES			
DEC. DIM. ±					
FRAC. DIM. ±					
ANGULAR DIM. ±				CI-122	
				ELECTRICAL APP. MECH. DES. APP.	