

IF IT IS FOUND DESIRABLE TO CHANGE ANY TOLERANCE OR OTHER DETAIL SPECIFIED ON THIS DRAWING NOTIFY THE PURCHASER PROMPTLY.

MAXIMUM ALLOWABLE TOLERANCES HAVE BEEN DETERMINED AND DEVIATIONS WILL BE CAUSE FOR REJECTION. REMOVE ALL BURRS AND SHARP EDGES

STANDARD DRAWING

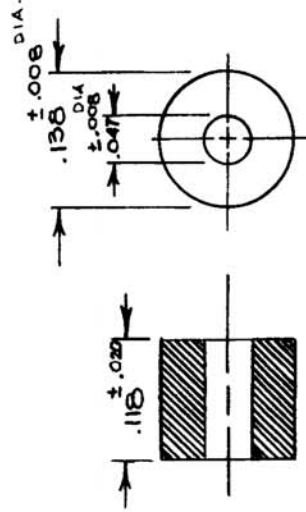
CI 10008

USED ON

MODEL PROJECT NO. ASS'Y. NO. DATE

LMC

21/11/60



MFR. NO. - 56/590/65/3B

REQ. ITEM	PART NO.	DESCRIPTION	SYMBOL
		TMC (Canada) LIMITED OTTAWA ONTARIO	
		SHIELDING BEADS	
MATERIAL	WEIGHT PER PC		
TYPE & TEMPER		JPC	
HEAT TREAT. SPEC.		DRAWN	ELEC. DES. APP. MECH. DES. APP.
FINISH & SPEC. NO.		CHECKED	FINAL APPROVAL
ISSUE ITEM	CHANGED FROM	DATE	CN. NO. DRAFTS CHECKER ENG. APP.
TOLERANCES			
SCALE S10045-1			
DIMENSIONS IN INCHES UNLESS OTHERWISE SPECIFIED			
DRILL. PUNCH. COMMERCIAL STOCK SIZES AND MANUFACTURERS TOLERANCES ARE NOT INCLUDED.			
ALL OTHERS	DEC. DIM. ±	FRAC. DIM. ±	ANGULAR DIM. ±
			CI 10008