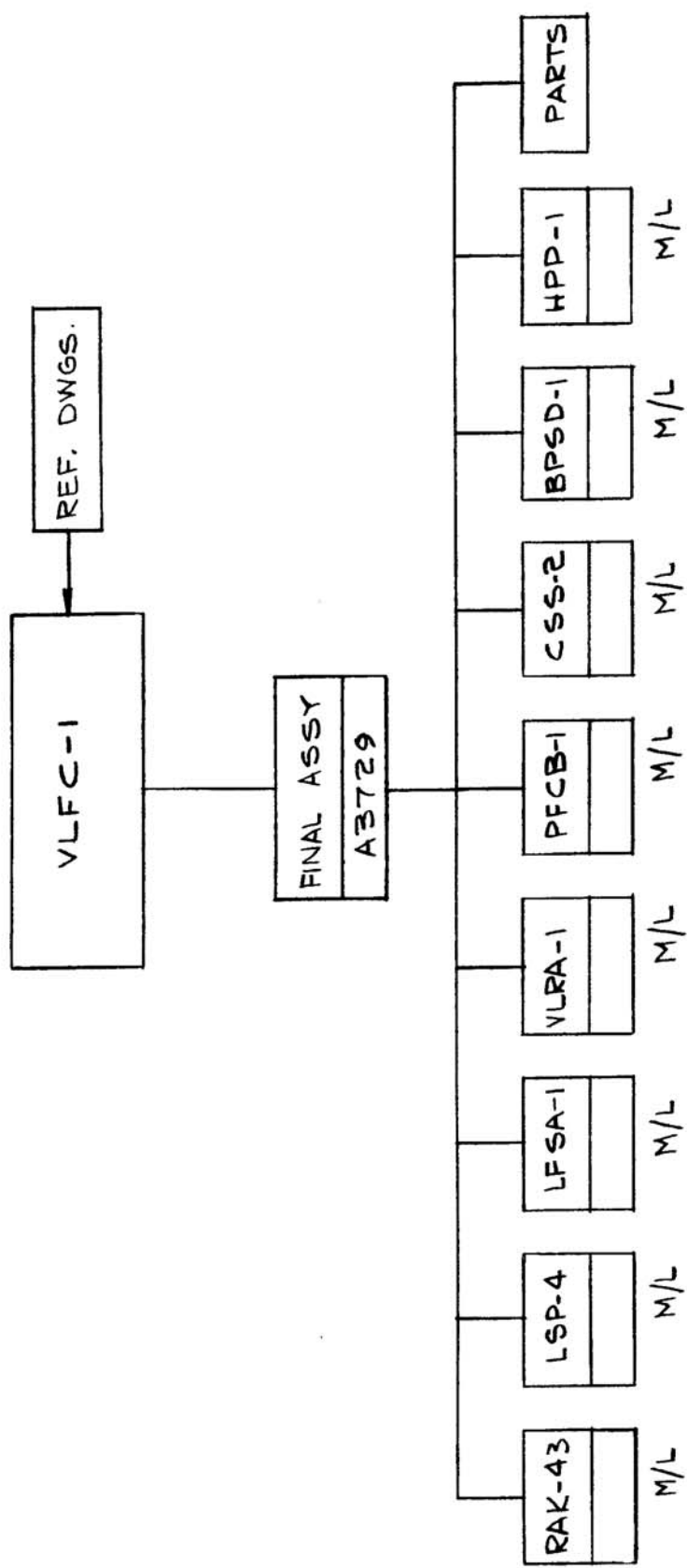


REQ. PER UNIT	USED ON	MODEL	DATE
1	VLFC-1	ASSY. NO.	7-15-64
CH368			A



REQ. ITEM	PART NO.	STURMER	DESCRIPTION	SYMBOL		
	A		THE TECHNICAL MATERIEL CORP. MAMARONECK. NEW YORK			
			CHART, UNIT BREAKDOWN			
SYM	DESCRIPTION	DATE	CH. NO.	DRAFTS	CHECKER	ENG. APP.
A	LFSA-1 WAS LFS-1 PFCB-1 W. PFCB A3728 DELE. FROM RAK-43 ORIGINAL RELEASE FOR PRODUCTION	9.24.64	12447	LSB	(initials)	(initials)
		8-27-64		(initials)	(initials)	
UNLESS OTHERWISE SPECIFIED DIMENSIONS ARE IN INCHES AND INCLUDE CHEMICALLY APPLIED OR PLATED FINISHES		SCALE				
TOLERANCES		FRACTIONS		CODE		
.XX ± .01		± 1/64		A		
.XXX ± .005		± 0° 30'				
FINISH & SPEC. NO.		DRAWN		CHECKED		
A		(initials)		(initials)		
ELEC. DES. APP. MECH. DES. APP.		ELEC. DES. APP. MECH. DES. APP.		FINAL APPROVAL		
8-27-64		8-27-64		CH368		
A		A		A		