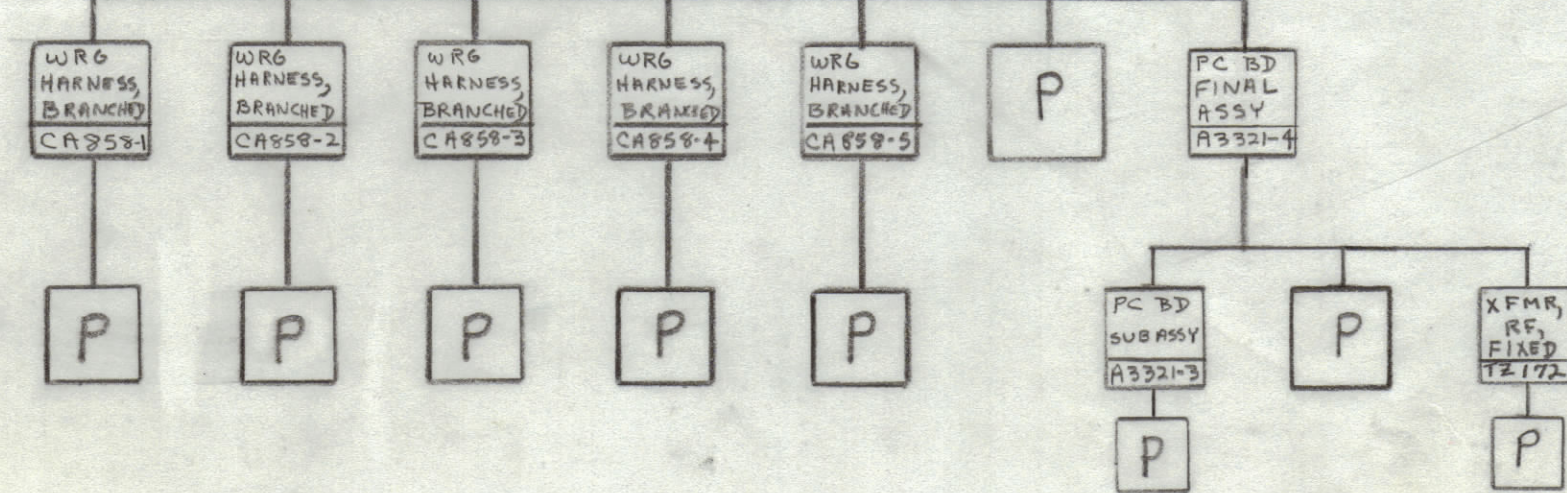
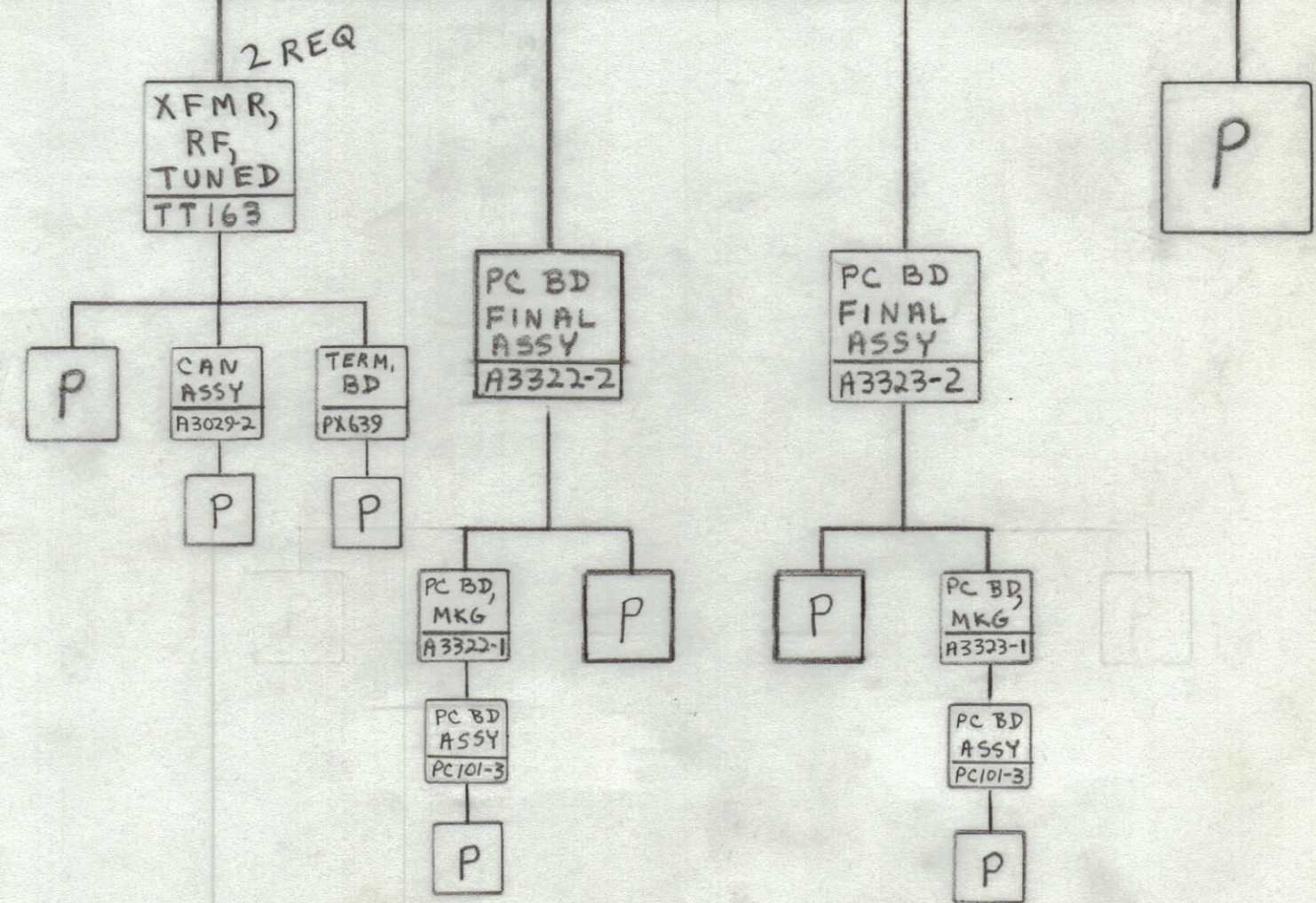
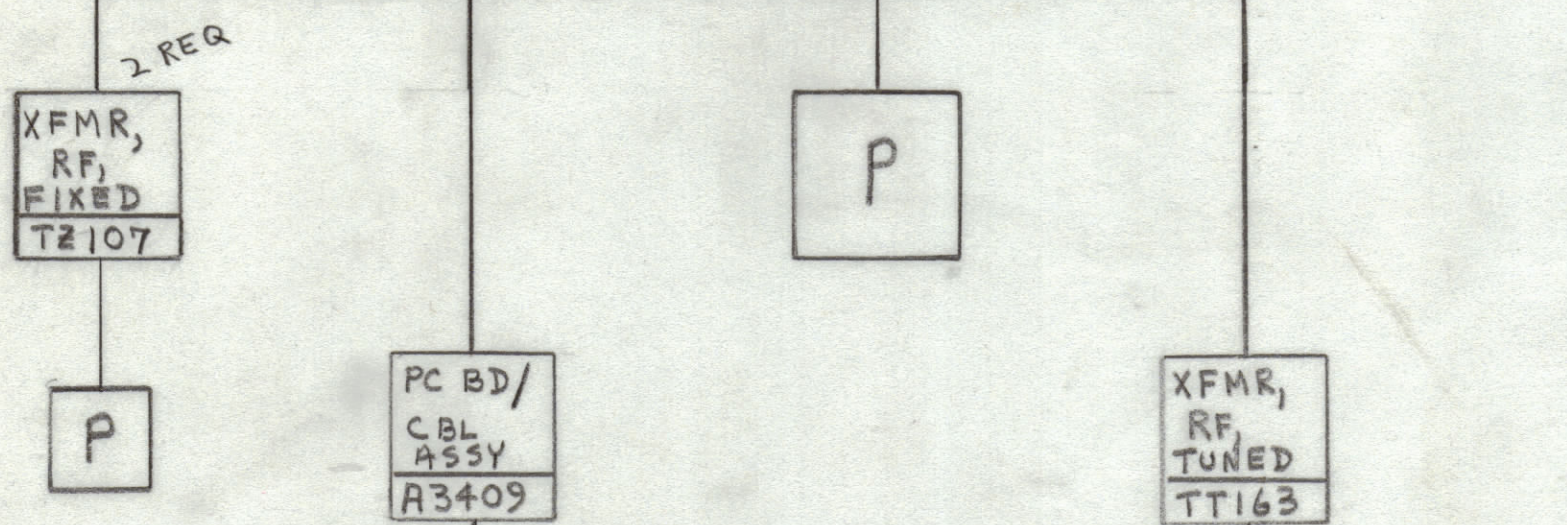
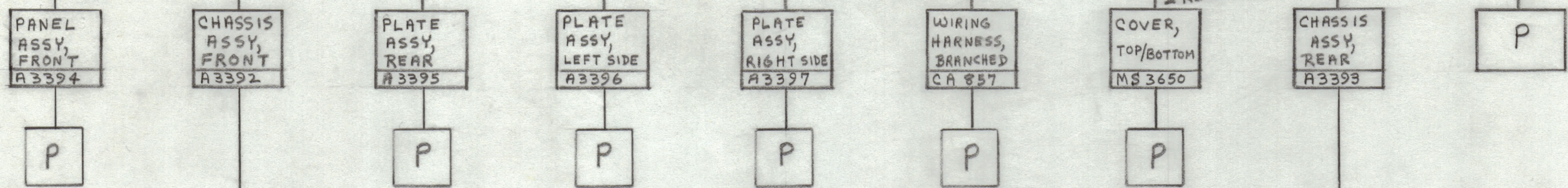


REVISIONS						
ZONE	SYM	DESCRIPTION	DATE	E.M.N. NO.	DRAFT	APPD
1	Ø	ORIGINAL RELEASE FOR PRODUCTION	7-2-64	P		

REFERENCE DRAWINGS SPECIFICATIONS → MULTIPLE CARRIER GENERATOR MCG-1

MCG-1 FINAL ASSY A3390



CH326

REQ'D.	ITEM	PART NUMBER	DESCRIPTION	SYMBOL
T. AALTONEN LIST OF MATERIAL				
MATERIAL		THE TECHNICAL MATERIEL CORP. MAMARONECK, NEW YORK		
FINISH		TITLE CHART, UNIT BREAKDOWN		
UNLESS OTHERWISE SPECIFIED DIMENSIONS ARE IN INCHES AND INCLUDE CHEMICALLY APPLIED OR PLATED FINISHES		DRAWN J. SABATINO	DATE 7-2-64	FINAL APPROVAL KAC
DECIMALS .X ± .05 .XX ± .01 .XXX ± .005		CHECKED J. SABATINO	DATE 7-2-64	DATE
FRACTIONS ± 1/64 ANGLES ± 0° 30'		ELECT. DES. JAC	DATE 7-2-64	DATE
TOLERANCES		MECH. DES. J. COHLE	DATE 7-2-64	DATE
			SHEET	REV. LTR.

MCG-1		
QTY./UNIT	MODEL USED ON	ASSY. NO.
SCALE	CODE	
1	A	

NOTES

THE CONTENTS OF THIS DRAWING ARE THE EXCLUSIVE PROPERTY OF THE TECHNICAL MATERIEL CORP. ITS UNAUTHORIZED USE OR REPRODUCTION IN WHOLE OR IN PART IS STRICTLY FORBIDDEN.