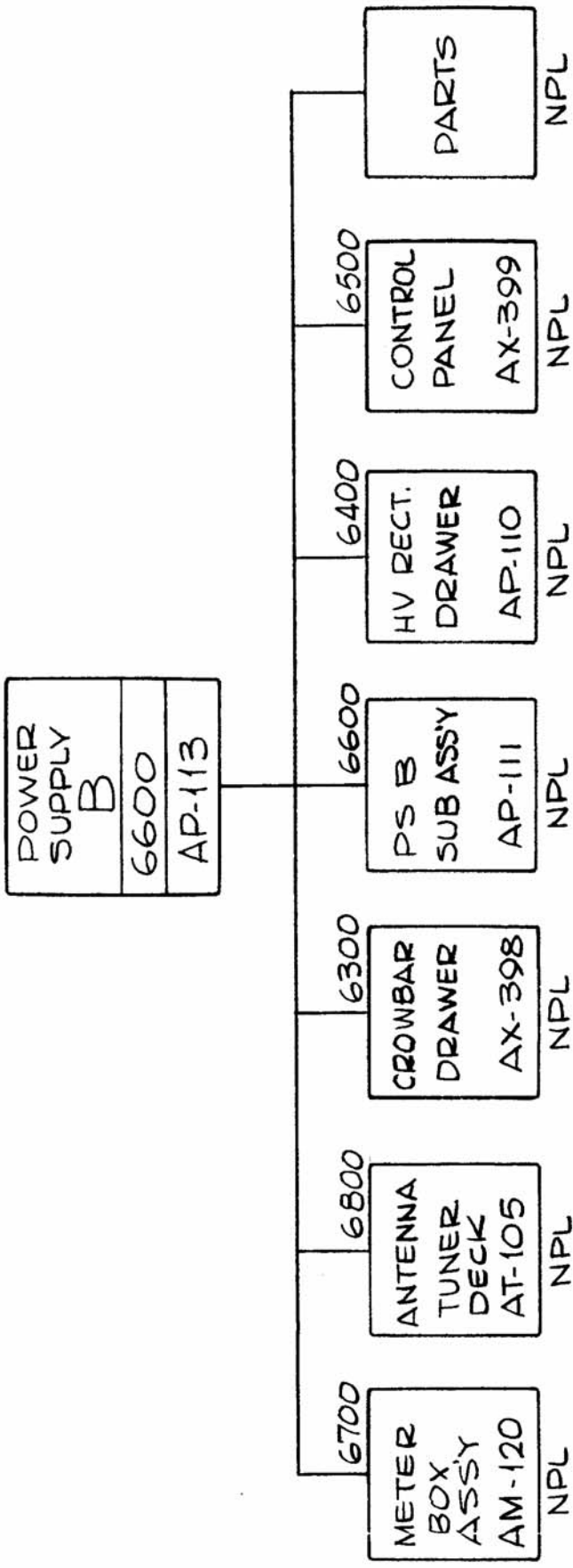


REQ. PER UNIT	USED ON		MODEL	ASSY. NO.	DATE
1	GPT-200K	AP-113	AP-113	5-19-64	
					CH 301



REQ. ITEM		PART NO.	F. BUDETTI		DESCRIPTION	SYMBOL
		H			THE TECHNICAL MATERIEL CORP.	
		STOCK SIZE			MAMARONECK.	NEW YORK
		H			CHART, UNIT BREAKDOWN	
		MATERIAL			AP-113	
		H	H	SRG	Checked	FINAL APPROVAL
		TYPE & TEMPER	HEAT TREAT. SPEC.	DRAWN	5.8 gpl	5/27
		H	H	203	ELEC. DES. APP.	MECH. DES. APP.
		FINISH & SPEC. NO.				CH 301

ORIGINAL RELEASE FOR PRODUCTION
 DATE 5-27-64
 CH. NO. 0
 DRAFTS CHECKER AM, @
 SCALE H
 UNLESS OTHERWISE SPECIFIED DIMENSIONS ARE IN INCHES AND INCLUDE CHEMICALLY APPLIED OR PLATED FINISHES
 DECIMALS: .X ± .05, .XX ± .01, .XXX ± .005
 FRACTIONS: ± 1/64, ANGLES: ± 0° 30'
 TOLERANCES: A