

# STANDARD DRAWING

CI-10001-E

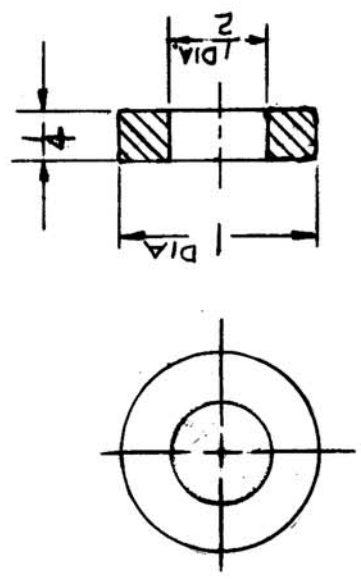
IF IT IS FOUND DESIRABLE TO CHANGE ANY TOLERANCE OR OTHER DETAIL SPECIFIED ON THIS DRAWING NOTIFY THE PURCHASER PROMPTLY.

MAXIMUM ALLOWABLE TOLERANCES HAVE BEEN DETERMINED AND DEVIATIONS WILL BE CAUSE FOR REJECTION. REMOVE ALL BURRS AND SHARP EDGES

USED ON  
 MODEL PROJECT NO. ASS'Y. NO. DATE

AMC-65 CE-646. JUNE 18 1959

T.M.C. NO.	MFRS. NO.	GRADE	COL. CODE
CI-10001-1	TC-3B	3 B	OBSOLETE
CI-10001-2	203F-250-103	103	GREEN
CI-10001-3	203F250-3C	3C	YELLOW



NOTE: CHECK TOLERANCE OF CORE BEFORE WINDING

REQ. ITEM	PART NO.	DESCRIPTION	SYMBOL
E 1		TMC (Canada) LIMITED OTTAWA ONTARIO	
D 2		CORE TRANSFORMER	
C 1		J.P.C.	M.Kr.
B		DRAWN A.C.M.	MECH. DES. APP.
		CHECKED	FINAL APPROVAL
			CI-10001 E

REQ. ITEM	CHANGED FROM	DATE	CN. NO.	DRAFTS CHECKER	ENG. APP.
E 1	CLERICAL CHANGE	9.2.64	4	AB	M.
D 2	ON CHART, CI-10001-2 MFRS NO WAS 203F-250-4B	2-19-63	8268	AB	AB
C 1	ON CI-10001-2 MFR. NO. WAS 250-103-4B	4-2-62	6566	AB	AB
B	Completed by r vis d and sup rcedes CI-10002				

ISSUE ITEM	CHANGED FROM	DATE	CN. NO.	DRAFTS CHECKER	ENG. APP.
	TOLERANCES				
	DEC. DIM. ±	0.015			
	FRAC. DIM. ±				
	ANGULAR DIM. ±				

DRILL, PUNCH, COMMERCIAL STOCK SIZES AND MANUFACTURERS TOLERANCES ARE NOT INCLUDED.

SCALE: 1:1 (S-10045-1)