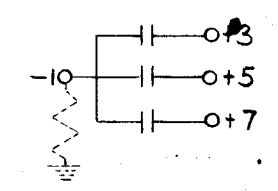


TYPE DESIGNATION	DC WORKING VOLTAGE volts	CAPACITANCE microfarads	MAX. IMPED. PER SECTION AT 120 +10 CPS AT -40° C	MAX. RMS RIPPLE PER SECTION AT 120 +10 CPS	CASE SIZE
			ohms	milliamperes	
CE53C100J	150	10-10-10	885	90	T1
CE53C200J	150	20-20-20	442	180	T1
CE53C350J	150	35-35-35	253	190	T2
CE53C400J	150	40-40-40	221	200	T3
CE53C600J	150	60-60-60	148	200	T4
CE53C750J	150	75-75-75	118	200	T5
CE53C101J	150	100-100-100	88	200	T5
CE53C100K	200	10-10-10	885	130	T1
CE53C250K	200	25-25-25	345	170	T1
CE53C300K	200	30-30-30	295	180	T2
CE53C500K	200	50-50-50	177	200	T3
CE53C600K	200	60-60-60	148	200	T4
CE53C750K	200	75-75-75	118	200	T5
CE53C100M	250	10-10-10	885	80	T1
CE53C200M	250	20-20-20	442	160	T1
CE53C250M	250	25-25-25	354	170	T2
CE53C350M	250	35-35-35	253	180	T3
CE53C400M	250	40-40-40	221	190	T4
CE53C500M	250	50-50-50	177	200	T5
CE53C100N	300	10-10-10	885	90	T1
CE53C180N	300	18-18-18	492	170	T1
CE53C200N	300	20-20-20	442	180	T2
CE53C300N	300	30-30-30	295	200	T3
CE53C350N	300	35-35-35	253	200	T4
CE53C400N	300	40-40-40	221	200	T5
CE53C100P	350	10-10-10	885	145	T1
CE53C120P	350	12-12-12	740	140	T1
CE53C160P	350	16-16-16	555	160	T2
CE53C200P	350	20-20-20	442	180	T3
CE53C300P	350	30-30-30	295	200	T4
CE53C350P	350	35-35-35	253	200	T5
CE53C100Q	400	10-10-10	1,480	150	T1
CE53C120Q	400	12-12-12	1,240	150	T2
CE53C180Q	400	18-18-18	820	170	T3
CE53C200Q	400	20-20-20	738	180	T4
CE53C300Q	400	30-30-30	492	200	T5
CE53C100R	450	10-10-10	2,220	150	T1
CE53C120R	450	12-12-12	1,850	150	T2
CE53C150R	450	15-15-15	1,480	160	T3
CE53C180R	450	18-18-18	1,230	170	T4
CE53C200R	450	20-20-20	1,110	180	T5

TABLE I CHARACTERISTIC STANDARD DRAWING

SYM.	WORKING TEMP. RANGE
C	-40°C +85

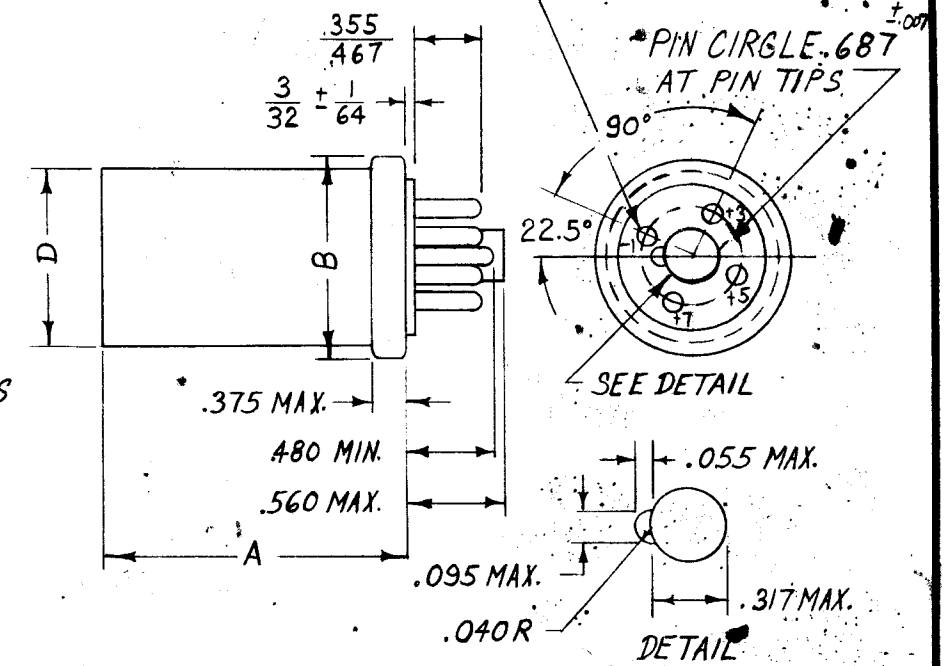


ALL PINS .093 ± .003 DIA. BRASS NICKEL-PLATED AND POLISHED WITH ROUNDED EDGES.

NOTE: CAPACITANCE EXPRESSED IN μF FIRST TWO DIGITS REPRESENT SIGNIFICANT FIGURES; THE LAST DIGIT SPECIFIES NO. OF ZEROS TO FOLLOW.

TABLE 2 DC WORKING VOLTS & DC SURGE VOLTS

SYM.	DC WORKING VOLTAGE	DC SURGE VOLTAGE
J	150	200
K	200	250
M	250	300
N	300	350
P	350	400
Q	400	450
R	450	500

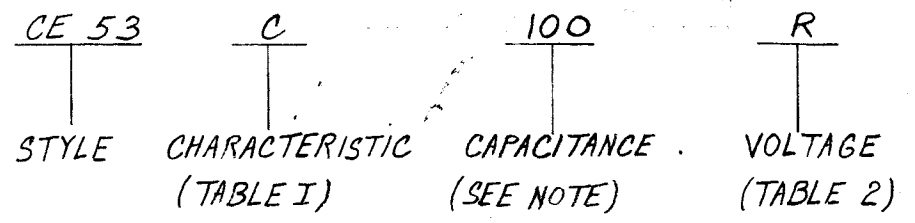


CASE SIZE	DIMENSIONS		
	A ± 1/16	B ± .010 -.050	D ± 1/64
T1	2 1/2	1 1/4	15/32
T2	2 1/2	1 1/2	1 3/8
T3	3	1 1/2	1 3/8
T4	3 1/2	1 1/2	1 3/8
T5	4 1/4	1 1/2	1 3/8

- FOR CASE SIZE T1, TOLERANCE SHALL BE ± .050
- ALL DIMENSIONS IN INCHES.
- TOLERANCES ARE ± .5° ON ANGLES.
- NUMBER-1 TERMINAL NEGATIVE
- CAPACITOR PLUGS INTO A STANDARD MEDIUM OCTAL SOCKET WITH A .687 ± .007-D. PIN CIRCLE. THE CAPACITOR SHALL NEVER HAVE LESS THAN FOUR PIN TERMINALS.

REF: IN ACCORDANCE W/ MIL-C-62B & MIL-C-62/10

NOMENCLATURE SHALL BE IN THE FOLLOWING FORM.



ISSUE	ITEM	CHANGED FROM	DATE	CH. NO.	DRAFTS	CHECKER	ENG. APP.
B	1	CE53C100R TO 200R WAS CE53F100R TO 200R	4/23/64	11272	AM	[Signature]	[Signature]
A	1	UPDATED W/CHANGES	7/6/64	10654	[Signature]	[Signature]	[Signature]

TOLERANCES: DEC. DIM. ±, FRAC. DIM. ±, ANGULAR DIM. ±

SCALE: MAXIMUM ALLOWABLE TOLERANCES HAVE BEEN DETERMINED AND ANY DEVIATIONS WILL BE CAUSE FOR REJECTION. REMOVE ALL BURRS AND SHARP EDGES

REQ. ITEM	PART NO.	DESCRIPTION	SYMBOL
		THE TECHNICAL MATERIEL CORP. MAMARONECK, NEW YORK	
		CAPACITORS, FIXED, ELECTROLYTIC (TRIPLE)	
		TYPE & TEMPER. HEAT TREAT. SPEC.	
		FINISH & SPEC. NO.	

USED ON: MODEL, PROJECT NO., ASS'Y. NO., DATE

APPROVALS: [Signatures], CE 53, B