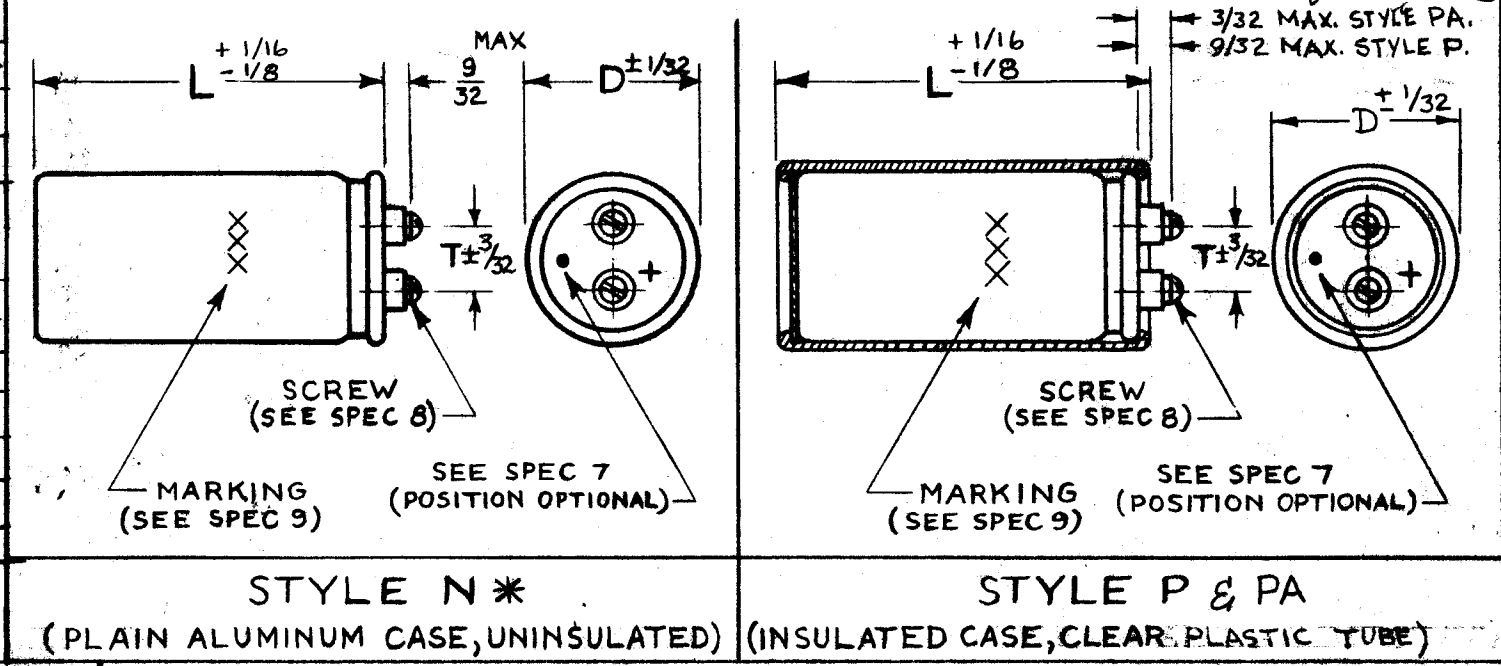


TMC PART NO.	MFRS PART NO.	CAP. IN MF SEE SPEC 3	DC WV	DC SURGE VOLT	STYLE * SEE PICTORIALS	DIMENSIONS			
						D	L	T	
CE 112-1	D,B	539-2261-01	250	450	525	P	1-13/16	4-1/2	3/4
*CE 112-2	D,A	CQM-1103	1700	75	100	N	1-3/4	4-1/8	3/4
*CE 112-3	D,A	CQM-1003	2600	50	75	N	1-3/4	4-1/8	3/4
*CE 112-4	D,A	CQM-1601	250	300	350	N	1-3/8	4-1/8	9/16
*CE 112-5	D,A	CQM-1607	975	300	350	N	2-1/2	4-1/8	1-1/8
CE 112-6	A,C	36D262G050AB6B	2600	50	65	P	1-7/16	3-1/2	17/32
CE 112-7	A,C	36D152G025AA6B	1500	25	30	P	1-7/16	2-1/2	17/32
CE 112-8	A,C	36D172F0F5AB6B	1700	75	95	P	1-7/16	3-1/2	17/32
CE 112-9	A,C	36D143G030BC6A	16,000	30	40	PA	2-1/16	4-1/2	27/32
CE 112-10	A,C	36D922G015AB6A	9200	15	18	PA	17/16	3 1/2	17/32
CE 112-11	A,C,D	36D392G050AC6B	3900	50	65	P	17/16	4 1/2	17/32
CE 112-12	C	36D123G040BC6B	12000	40	50	P	2-1/16	4-1/2	13/16
CE 112-13	C	36D101G450AB6B	100	450	525	P	1-7/16	3-1/2	1/2
CE 112-14	E	86F173	950	75	95	N	1-3/8	2-1/16	1/2
CE 112-15	E	86F165S	2800	50	65	P	1-7/16	3-1/2	17/32
CE 112-16	E	86F159S	12900	40	50	P	2-1/16	4-1/2	13/16
CE 112-17	F	43F3047CA6	110	450	525	P	1-7/16	3-1/2	1/2
CE 112-18	A,C	36D223G015AC2A	22,000	15	18	PA	1-3/8	4-1/8	1/2
CE 112-19	G	CGS65U050DD1	6500	50	65	P	2	3-3/16	7/8
CE 112-20	G	CGS922U030R3C	9200	40	50	P	2	3-3/16	7/8

REVISIONS						
SYM	DESCRIPTION	DATE	E.M.N. NO.	DRAFT	CHKD	APPD
J	CE 112-9 WAS 36D143G025BC6A	1/9/63	14983	H.V.		
K	DELETE "RIGID" ON STYLE P & PA	8.11.61	16742	RME		
L	ADD NOTE ON STYLE "P"	5-20-66	16856	RME		
M	ADDED CE 112-12, 13	6.7.68	18958	H.V.		
N	ON CE 112-12 12000 WAS 1200	12/27/68	19148	K.H.		
P	CE 112-14 ADDED	5.21.69	19451	GE		
R	CE 112-15, 16 & 17 ADDED	4/28/70	19827	EV		
S	ADDED CE 112-18	2-20-73	21022	GE		
T	ADDED CE 112-19	5-0-84	22065	G.D.L		
U	ADDED CE 112-20	12/24/87				



SPECIFICATIONS

- OPER. TEMP.: -20°C. to +65°C.
- CAPACITANCE: Measured at, or referred to a frequency of 120 cps and +25°C.
- CAPACITANCE TOLERANCE:

VOLT. RATING	TOLERANCE
3 to 50 V	-10, +100% MAX.
Above 50 V	-10, +75% MAX.
- CASE: Aluminum
- TOP (TERMINAL END): Molded Plastic Sealed to Case with Gasket.
- TERMINALS: 10-32 Threaded Aluminum Insert Molded into Top.
- SAFETY VENT: Top of Capacitor Shall have Pressure Sensitive Safety Vent.

NOTES

8. SCREWS: 10-32 Thd. X 1/4 to 3/8 Long Head Style - Pan or Round, slotted.

9. MARKING: Min. Information Shall Be:

- Mfrs. Type
- Mfrs. Name or Symbol
- Mfrs. Catalog Number
- Mfrs. Date Code
- Nom. Cap. and DCWV
- Polarity

STANDARD DRAWING

Q'TY./UNIT	MODEL USED ON	DWG. NO.
NTS	C	5401-81(A) 5401-14(D) 5401-34(B) 5401-40(E) 5401-49(C) 5401-67(F)

THE CONTENTS OF THIS DRAWING ARE THE EXCLUSIVE PROPERTY OF THE TECHNICAL MATERIEL CORP. ITS UNAUTHORIZED USE OR REPRODUCTION IN WHOLE OR IN PART IS STRICTLY FORBIDDEN.

NOTE: SEE TMC DWG CU-145 FOR MOUNTING BRACKET, WHEN REQUIRED.

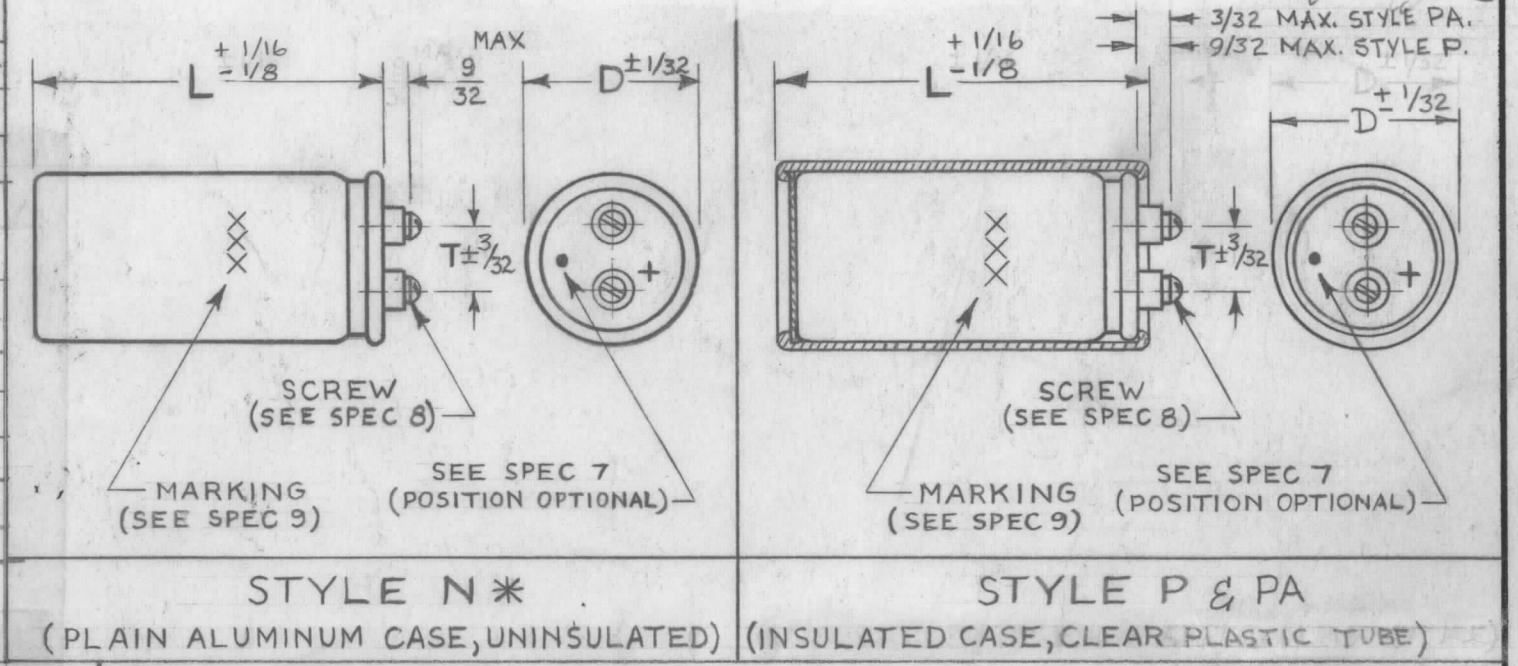
* DO NOT USE STYLE "N" ON NEW DESIGN CE 112-2 THRU-5. FOR STYLE "P" ON CE 112-2 THRU-5

- ADD "P" TO PART NO. ie: CE 112-2P.
- ADD 1/16 TO DIM. "D".
- ADD 3/8 TO DIM. "L".

REQ'D.	ITEM	PART NUMBER	DESCRIPTION	SYMBOL
LIST OF MATERIAL				
MATERIAL		SEE SPECS		
FINISH		SEE SPECS		
		THE TECHNICAL MATERIEL CORP. MAMARONECK, NEW YORK		
		CAPACITOR, FIXED, ELECTROLYTIC		
DRAWN	DATE	FINAL APPROVAL	DATE	
CHECKED	DATE	CE 112	DATE	
ELECT.	DATE		DATE	
MECH.	DATE		DATE	
		SHEET		

TMC PART NO.	MFRS REF CODE	MFRS PART NO.	CAP. IN MF SEE SPEC 3	DC WV	DC SURGE VOLT	STYLE * SEE PICTORIALS	DIMENSIONS		
							D	L	T
CE 112-1	D,B	539-2261-01	250	450	525	P	1-13/16	4-1/2	3/4
*CE 112-2	D,A	CQM-1103	1700	75	100	N	1-3/4	4-1/8	3/4
*CE 112-3	D,A	CQM-1003	2600	50	75	N	1-3/4	4-1/8	3/4
*CE 112-4	D,A	CQM-1601	250	300	350	N	1-3/8	4-1/8	9/16
*CE 112-5	D,A	CQM-1607	975	300	350	N	2-1/2	4-1/8	1-1/8
CE 112-6	A,C	36D262G050AB6B	2600	50	65	P	1-7/16	3-1/2	17/32
CE 112-7	A,C	36D152G025AA6B	1500	25	30	P	1-7/16	2-1/2	17/32
CE 112-8	A,C	36D172F075AB6B	1700	75	95	P	1-7/16	3-1/2	17/32
CE 112-9	A,C	36D143G030BC6A	14,000	30	40	PA	2-1/16	4-1/2	27/32
CE 112-10	A,C	36D922G015AB6A	9200	15	18	PA	1-7/16	3-1/2	17/32
CE 112-11	A,C,D	36D392G050AC6B	3900	50	65	P	1-7/16	4-1/2	17/32
CE 112-12	C	36D123G040BC6B	12000	40	50	P	2-1/16	4-1/2	13/16
CE 112-13	C	36D101G450AB6B	100	450	525	P	1-7/16	3-1/2	1/2
CE 112-14	E	86F173	950	75	95	N	1-3/8	2-1/16	1/2
CE 112-15	E	86F165S	2800	50	65	P	1-7/16	3-1/2	17/32
CE 112-16	E	86F159S	12900	40	50	P	2-1/16	4-1/2	13/16
CE 112-17	F	43F3047CA6	110	450	525	P	1-7/16	3-1/2	1/2
CE 112-18	A,C	36D223G015AC2A	22,000	15	18	PA	1-3/8	4-1/8	1/2
CE 112-19	G	CGS65U050DD1	6500	50	65	P	2	3-3/16	7/8
CE 112-20	G	CGS9224030R3C	9200	40	50	P	2	3-3/16	7/8

REVISIONS						
SYM	DESCRIPTION	DATE	E.M.N. NO.	DRAFT	CHKD	APPD
J	CE 112-9 WAS 36D143G025BC6A	1/9/65	14983	H.V.	HO	JC
K	DELETE "RIGID" ON STYLE P & PA	8.11.66	16742	RME	HO	MM
L	ADD NOTE ON STYLE "P"	9.20.66	16856	RME	HO	JC
M	ADDED CE 112-12, 13	6.7.68	18958	H.V.	HO	OP
N	ON CE 112-12 12000 WAS 1200	12/27/68	19148	K.H.	HO	OP
P	CE 112-14 ADDED	5.21.69	19451	GE	HO	SDM
R	CE 112-15, 16 & 17 ADDED	4/28/70	19827	EV	HO	SDM
S	ADDED CE 112-18	2.20.73	21022	GE	HO	SDM
T	ADDED CE 112-19	5-10-84	22065	G.D.L.	HO	BF
U	ADDED CE 112-20	12/20/87			HO	SDM



SPECIFICATIONS

- OPER. TEMP.: -20°C. to +65°C.
- CAPACITANCE: Measured at, or referred to a frequency of 120 cps and +25°C.
- CAPACITANCE TOLERANCE:

VOLT. RATING	TOLERANCE
3 to 50 V	-10, +100% MAX.
Above 50 V	-10, +75% MAX.
- CASE: Aluminum
- TOP (TERMINAL END): Molded Plastic Sealed to Case with Gasket.
- TERMINALS: 10-32 Threaded Aluminum Insert Molded into Top.
- SAFETY VENT: Top of Capacitor Shall have a Pressure Sensitive Safety Vent.

NOTES

8. SCREWS: 10-32 Thd. X 1/4 to 3/8 Long Head Style - Pan or Round, slotted.

9. MARKING: Min. Information Shall Be:

- Mfrs. Type
- Mfrs. Name or Symbol
- Mfrs. Catalog Number
- Mfrs. Date Code
- Nom. Cap. and DCWV
- Polarity

STANDARD DRAWING

Q'TY./UNIT: NTS

MODEL USED ON: C

ASS'Y. NO.: 5401-81(A) 5401-146D, 5401-34(B) 5401-40(E), 5401-49(C) 5401-107(G)

THE CONTENTS OF THIS DRAWING ARE THE EXCLUSIVE PROPERTY OF THE TECHNICAL MATERIEL CORP. ITS UNAUTHORIZED USE OR REPRODUCTION IN WHOLE OR IN PART IS STRICTLY FORBIDDEN.

NOTE: SEE TMC DWG CU-145 FOR MOUNTING BRACKET, WHEN REQUIRED.

* DO NOT USE STYLE "N" ON NEW DESIGN CE 112-2 THRU-5. FOR STYLE "P" ON CE 112-2 THRU-5

- ADD "P" TO PART NO. ie: CE 112-2P.
- ADD 1/16 TO DIM. "D".
- ADD 3/8 TO DIM. "L".

BY SANGAMO ELECTRIC CO.

REQ'D. ITEM PART NUMBER DESCRIPTION SYMBOL

LIST OF MATERIAL

SEE SPECS

THE TECHNICAL MATERIEL CORP.
MAMARONECK, NEW YORK

FINISH: SEE SPECS

TITLE: CAPACITOR, FIXED, ELECTROLYTIC

UNLESS OTHERWISE SPECIFIED DIMENSIONS ARE IN INCHES AND INCLUDE CHEMICALLY APPLIED OR PLATED FINISHES

DECIMALS	FRACTIONS
.X ± .05	± 1/64
.XX ± .01	ANGLES ± 0° 30'
.XXX ± .005	

DRAWN: M. P. [Signature] DATE: 1/9/63

CHECKED: J. [Signature] DATE: 1/9/63

ELECT. DES. DATE: 1-10-63

MECH. DES. DATE: 1-10-63

FINAL APPROVAL: [Signature] DATE: [Blank]

CE 112

SHEET

REV. LTR.