

IF IT IS FOUND DESIRABLE TO CHANGE ANY TOLERANCE OR OTHER DETAIL SPECIFIED ON THIS DRAWING NOTIFY THE PURCHASER PROMPTLY.

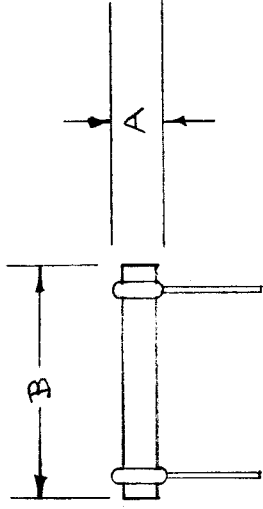
MAXIMUM ALLOWABLE TOLERANCES HAVE BEEN DETERMINED AND DEVIATIONS WILL BE CAUSE FOR REJECTION. REMOVE ALL BURRS AND SHARP EDGES

TMC NO.	CAT. NO.	CAPACITY μf.	TEMP. COEF.	A	B	WVDC	MIL EQUIVALENT
CC-103-1	TCN-15	15 ± 2%	N750	.200	.400	600	CC200U150G

Req.
REV.
UNIT
1

USED ON
PROJECT NO.
MODEL
XFKASSY. NO.
DATE

CC-103



REF: CENTRALAB DIV. GLOBE-UNION, INC.

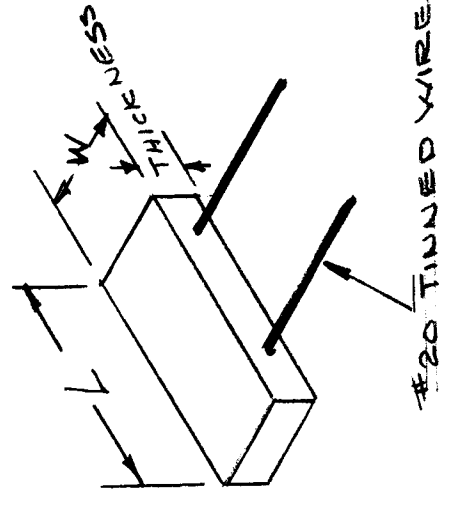
Δ 2	MIL. EQUIV. ADDED	DATE	CN. NO.	DRAFTS	CHECKER	ENG. APP.
1	± 2% WAS ± 0.5% ON CAPACITY	2-2-62	6311	LS	LS	LS
ISSUE	ITEM	CHANGED FROM	SCALE	TOLERANCES		

ALL DIM. ±
OTHERS ANGULAR DIM. ±

DRILL, PUNCH, COMMERCIAL STOCK SIZES AND MANUFACTURERS TOLERANCES ARE NOT INCLUDED.

REQ. ITEM	PART NO.	DESCRIPTION	SYMBOL
		THE TECHNICAL MATERIEL CORP. MAMARONECK, NEW YORK	
		CAPACITOR, FIXED	
		CERAMIC	
		WEIGHT PER PC.	
		STOCK SIZE	
		MATERIAL	
		TYPE & TEMPER	
		HEAT TREAT. SPEC.	
		FINISH & SPEC. NO.	
		DRAWN CDD	ELEC. DES. APP. A. J. J.
		CHECKED HAB	MECH. DES. APP. WDC
			FINAL APPROVAL A. J. J.
			CC-103
			A

REG. PER. UNIT		USED ON	
MODEL	ASSY. NO.	DATE	CC-110



ELECTRICAL SPECIFICATIONS
 WORKING VOLTAGE: 600 VDC
 TEST VOLTAGE: 1200 VDC
 GMV= GUARENTEED MIN. VALUE

TMC PART NO.	CAPACITANCE IN MMF AT 25.C	CAP.. TOLERANCE	SIZE			CATALOG NUMBER
			L	W	THK	
CC-110-1	100,000	+ 80 - 20%	1 7/16	15/16	19/64	DF-104
CC-110-2	75000	GMV	1 7/16	15/16	19/64	DF-753
CC-110-3	50000	GMV	1 7/16	15/16	7/32	DF-503
CC-110-4	40000	GMV	1 7/16	15/16	7/32	DF-403
CC-110-5	30000	GMV	1 7/16	15/16	7/32	DF-303

REQ. ITEM	CHANGED FROM	DATE	CH. NO.	DRAFTS	CHECKER	ENG. APP.
TOLERANCES						
SCALE: 3-401-61						
MAXIMUM ALLOWABLE TOLERANCES HAVE BEEN DETERMINED AND ANY DEVIATIONS WILL BE CAUSE FOR REJECTION. REMOVE ALL BURRS AND SHARP EDGES						
DEC. DIM. ±	FRAC. DIM. ±	ANGULAR DIM. ±				
ISSUE ITEM	CHANGED FROM	DATE	CH. NO.	DRAFTS	CHECKER	ENG. APP.
TOLERANCES						
SCALE: 3-401-61						
MAXIMUM ALLOWABLE TOLERANCES HAVE BEEN DETERMINED AND ANY DEVIATIONS WILL BE CAUSE FOR REJECTION. REMOVE ALL BURRS AND SHARP EDGES						
DEC. DIM. ±	FRAC. DIM. ±	ANGULAR DIM. ±				
REQ. ITEM	PART NO.	STOCK SIZE				
REQ. ITEM	MATERIAL					
TYPE & TEMPER	HEATTREAT. SPEC.					
FINISH & SPEC. NO.						
ELEC. DES. APP MECH. DES. APP						
DRAWN						
CHECKED						
FINAL APPROVAL						
CAPACITOR, CERAMIC, RECTANGULAR						
MAMARONECK, NEW YORK						
THE TECHNICAL MATERIEL CORP.						
SYMBOL						

DRAWING

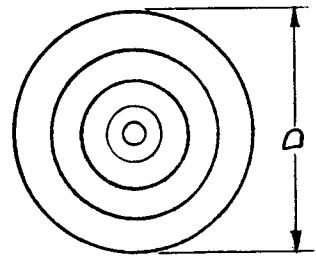
REQ. PER UNIT	USED ON	CC115	Φ
MODEL	ASSY. NO.		
TLAA-2.5K	DATE		
	9-23-66		

VOL. %	TEMP COEF.	WORKING VOLTS	TEST VOLT	AMPS MAX.	KVAR MAX.	% P.F.	MFR. TYPE NUMBER
10	N750	5000	7500	18	13	<.05	HPA-55
-20 +40	—	3500	7500	30	1.0		HPA-42

ELEC. SPECIFICATIONS
INSULATION RESISTANCE: > 20,000 MEG.

THD. SIZE
(SEE CHART)

SILVER PLATED
BRASS TERMINALS



TMC PART NO. SHOULD BE IN THE FOLLOWING FORM:
CC115 - 1 500
BASIC TMC PART NO. / CAPACITANCE IN PF.
SEE CHART

REVISIONS
NO. 1
DATE 9-23-66
BY [Signature]
DESCRIPTION
TMC PART NO. CC115
MFR. TYPE NUMBER HPA-55

REQ. ITEM	PART NO.	DESCRIPTION	SYMBOL
		THE TECHNICAL MATERIEL CORP. MAMARONECK.	
		CAPACITOR, FIXED, CERAMIC	
		RME	
		DRAWN	
		CHECKED	
		FINAL APPROVAL	
		AS NOTED	
		AS NOTED	
		FINISH & SPEC. NO.	
		AS NOTED	
		ELEC. DES. APP.	
		MECH. DES. APP.	
		CC115	
		Φ	

SYM	DESCRIPTION	DATE	CH. NO.	DRAFTS	CHECKER	ENG. APP.
Ø	ORIG. RELEASE FOR PROD	3-2-67			RME	[Signature]
X	EXPERIMENTAL RELEASE	9-23-66			RME	[Signature]
UNLESS OTHERWISE SPECIFIED DIMENSIONS ARE IN INCHES AND INCLUDE CHEMICALLY APPLIED OR PLATED FINISHES		SCALE	1:2			
TOLERANCES		CODE	S401-93			
DECIMALS		FRACTIONS				
.X ± .05		± 1/64				
.XX ± .01		ANGLES				
.XXX ± .005		± 0° 30'				

NOTICE TO PERSONS RECEIVING THIS DRAWING
 THE TECHNICAL MATERIEL CORPORATION claims proprietary right in the material disclosed hereon. This drawing is issued in confidence for engineering information only and may not be reproduced or used to manufacture anything shown hereon without permission from THE TECHNICAL MATERIEL CORPORATION to the user. This drawing is loaned for mutual assistance and is subject to recall at any time.

SCALE: A
 CODE IDENT. NO.: 82679
 DWG NO.: CC 118
 SHEET: OF

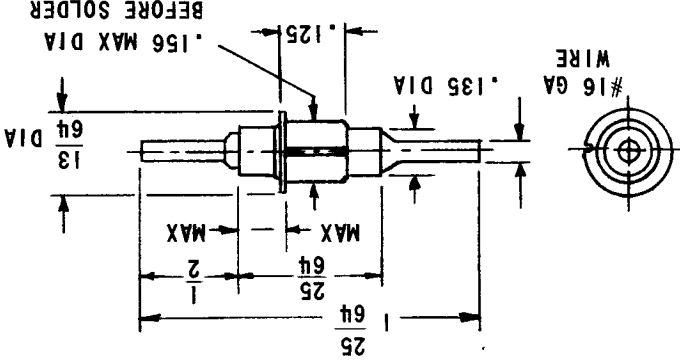
DATE: 9-30-68	DRAWN: [Signature]
DATE: 10/28/68	CHECKED: [Signature]
DATE: 1-30-69	ELECT. DES. [Signature]
DATE:	MECH. DES. [Signature]
DATE:	FINAL APPROVAL [Signature]

CAPACITOR, FIXED CERAMIC
 FEED THRU
 THE TECHNICAL MATERIEL CORP.
 MAMARONECK, NEW YORK

FINISH	
MATERIAL	
DECIMALS	.X ± .05
FRACTIONS	1/64
TOLS.	.XX ± .01
ANGLES	0° 30'
UNLESS OTHERWISE SPECIFIED DIMENSIONS ARE IN INCHES AND INCLUDE CHEMICALLY APPLIED OR PLATED FINISHES	

REQ'D ITEM	PART NUMBER	DESCRIPTION	SYM.
------------	-------------	-------------	------

MOUNTING: FT-BRASS CADMIUM PLATED DOUBLE-FLATED MOUNTING BUSHING .281" LONG WITH 12-28 THREAD BUSHING AND MOUNTING NUT. MFT-1/4" MAX DIAMETER EYELET TO BE INSERTED IN .160" DIA HOLE AND SOLDERED DIRECTLY TO CHASSIS.

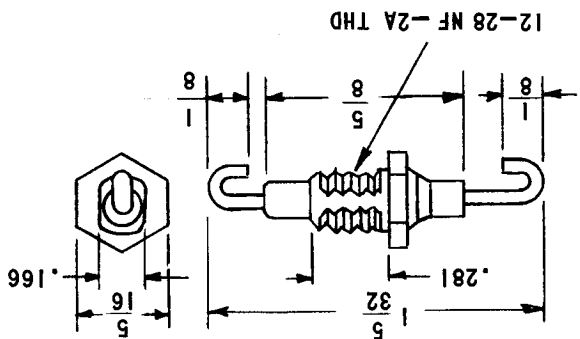


LEADS: FT-.050" TINNED COPPER WIRE BOTH ENDS HOOKED TO FACILITATE SOLDERING. MFT NO. 16 WIRE 1-3/8" OVER ALL MAX. LENGTH.

INSULATION: UNINSULATED
 SIZE: SEE ILLUSTRATION
 VOLTAGE: 500 VDCW - 1000 VDC
 MATERIAL: HI-K CERAMIC
 TOLERANCE: SEE CHART
 MFT: 50 THRU 1000 mMF (SEE CHART)
 CAPACITY: FT 500 THRU 2300 mMF (SEE CHART)

SPECIFICATIONS

TMC P/N	CAT NO.	CAP	TOL
CC118-1	FT-500	500	+20%
-2	FT-1000	1000	+20%
-3	FT-1500	1500	+50 -20%
-4	FT-1800	1800	+50 -20%
-5	FT-2300	2300	+50 -20%
-6	MFT-50	50	±10%
-7	MFT-100	100	±10%
-8	MFT-500	500	±20%
-9	MFT-1000	1000	GMV



APPLICATION				REVISIONS			
QTY	MODEL USED ON	ASS'Y NO.	LTR	DESCRIPTION	DATE	E.M.N.NO	DRAFT
	HFR-4		X	EXPERIMENTAL RELEASE	10/1/68		C.V.
				ORIG. RELEASE FOR PROD	11/5/68		R.G.
							APPD

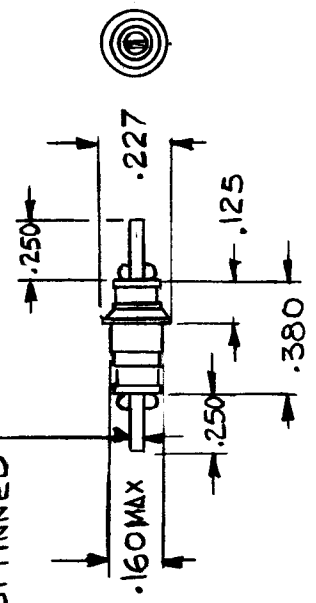
REQ. PER UNIT	MODEL	USED ON
	GPR-110	ASSY. NO.
		DATE

CC132

CC132-101

TMC P/NO. CAP. IN Pf (3RD DIGIT IS MULTIPLIER)

14 AWG OPTIONAL
16 AWG
.051 TINNED



SPECIFICATIONS:
CAPACITANCE RANGE -10PF THROUGH 5,000PF
TOLERANCE $\pm 20\%$
WORKING VOLT D.C. - 500 Vdc
TEMP. RANGE -55°C TO +85°C

MFG. P/NO (ERIE) 2404-000

REQ. ITEM	PART NO.	DESCRIPTION	SYMBOL
		TMC INDUSTRIAL CORP. MAMARONECK, NEW YORK	
		CAPACITOR, CERAMIC	
ISSUE ITEM	CHANGED FROM	DATE	CH. NO.
TOLERANCES			
DEC. DIM. \pm			
FRAC. DIM. \pm			
ANGULAR DIM. \pm			
		SCALE: 5401-203	
		MAXIMUM ALLOWABLE TOLERANCES HAVE BEEN DETERMINED AND ANY DEVIATIONS WILL BE CAUSE FOR REJECTION.	
		REMOVE ALL BURRS AND SHARP EDGES	
		CHECKER	ENG. APP.
		DRAFTS	
		DATE	
		CH. NO.	
		SCALE: 5401-203	
		TYPE & TEMPER	HEAT TREAT. SPEC.
		DRAWN	CHECKED
		ELEC. DES. APP.	MECH. DES. APP.
		FINISH & SPEC. NO.	FINAL APPROVAL
			CC132

CC-10001

STANDARD DRAWING

IF IT IS FOUND DESIRABLE TO CHANGE ANY TOLERANCE OR OTHER DETAIL SPECIFIED ON THIS DRAWING NOTIFY THE PURCHASER PROMPTLY.

MAXIMUM ALLOWABLE TOLERANCES HAVE BEEN DETERMINED AND DEVIATIONS WILL BE CAUSE FOR REJECTION. REMOVE ALL BURRS AND SHARP EDGES

USED ON	
MODEL	PROJECT NO.
ASS'Y. NO.	DATE

FR RECEIVER WITH SQUELCH

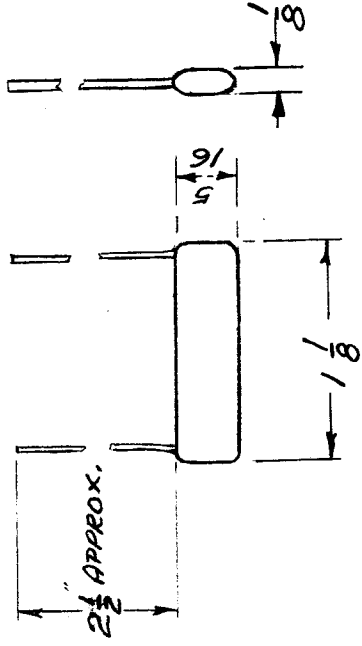
8541

NOTICE TO PERSONS RECEIVING THIS DRAWING

THE TECHNICAL MATERIEL CORPORATION claim proprietary right in the material disclosed hereon. This drawing is issued in confidence for engineering information only and may not be reproduced or used to manufacture anything shown hereon without permission from THE TECHNICAL MATERIEL CORPORATION to the user. This drawing is loaned for mutual assistance and is subject to recall at any time.

Property of:

THE TECHNICAL MATERIEL CORPORATION
MAMARONECK, NEW YORK



CAPACITOR - FIXED, TITANIUM DIOXIDE 0.1 M.F.D. ±20% 150V. D.C.W.

REF: TITANIA ELECTRIC CORP.
468051

REQ. ITEM	PART NO.	DESCRIPTION	SYMBOL
		TMC (Canada) LIMITED ONTARIO	
		CAPACITOR - FIXED	
		FR. WITH SQUELCH	
		L. MARION	
		DRAWN	ELEC. DES. APP.
			MECH. DES. APP.
		CHECKED	FINAL APPROVAL
			CC-10001

ISSUE ITEM	CHANGED FROM	DATE	CN. NO.	DRAFTS	CHECKER	ENG. APP.

DEC. DIM. ±	
FRAC. DIM. ± 1/64	
ANGULAR DIM. ±	

SCALE FULL SIZE	
DRILL, PUNCH, COMMERCIAL STOCK SIZES AND MANUFACTURERS TOLERANCES ARE NOT INCLUDED.	

IF IT IS FOUND DESIRABLE TO CHANGE ANY TOLERANCE OR OTHER DETAIL SPECIFIED ON THIS DRAWING NOTIFY THE PURCHASER PROMPTLY.

MAXIMUM ALLOWABLE TOLERANCES HAVE BEEN DETERMINED AND DEVIATIONS WILL BE CAUSE FOR REJECTION. REMOVE ALL BURRS AND SHARP EDGES

STANDARD DRAWING

CC10002

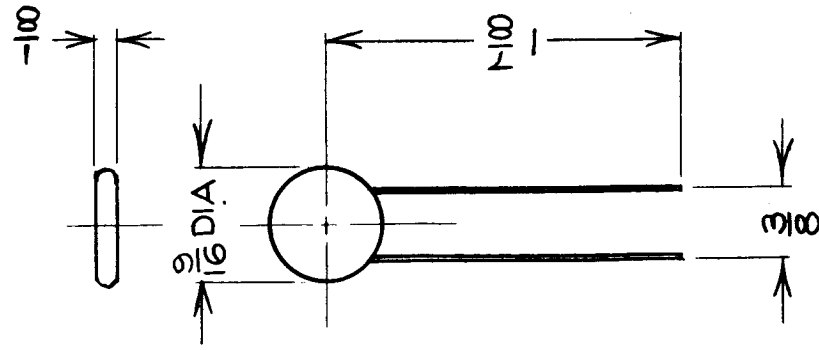
USED ON

PROJECT NO. DATE

MODEL

ASSY. NO.

MAY 21 / 59



ED-01, ±10%, 600 VDCW
STYLE 811

REF: ERIE RESISTOR OF CANADA, LTD

REQ. ITEM	PART NO.	DESCRIPTION	SYMBOL
		TMC (Canada) LIMITED OTTAWA	
		CAPACITOR	
		- FIXED DISC-01UF, ±10%	
		DCM	
		DRAWN	ELEC. DES. APP.
		CHECKED	MECH. DES. APP.
			FINAL APPROVAL
			CC10002

ISSUE ITEM	CHANGED FROM	DATE	CN. NO.	DRAFTS CHECKER	ENG. APP.
TOLERANCES					
SCALE NTS					
DRILL, PUNCH, COMMERCIAL STOCK SIZES AND MANUFACTURERS TOLERANCES ARE NOT INCLUDED.					
ALL OTHERS	DEC. DIM. ±				
	FRAC. DIM. ±				
	ANGULAR DIM. ±				

IF IT IS FOUND DESIRABLE TO CHANGE ANY TOLERANCE OR OTHER DETAIL SPECIFIED ON THIS DRAWING NOTIFY THE PURCHASER PROMPTLY.

MAXIMUM ALLOWABLE TOLERANCES HAVE BEEN DETERMINED AND DEVIATIONS WILL BE CAUSE FOR REJECTION. REMOVE ALL BURRS AND SHARP EDGES

STANDARD DRAWING

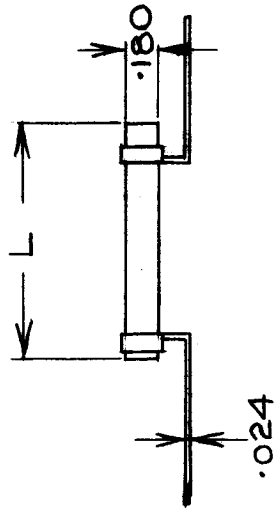
CC10003 F

USED ON

PROJECT NO. ASSY. NO. DATE

AMC65 CE646

MAY 27 1959



NOTE: WORKING VOLTAGE: MAX. 500 V.D.C.
 TEST VOLTAGE: 1500 V.D.C. FOR 1 SEC.
 AMBIENT TEMP: -40 TO +85°C.
 LOSSES: TAN δ = MAX. 10X10⁻⁴ AT 1 MC/S (ON AVERAGE LESS THAN 5X 10⁻⁴) FOR CAPACITANCES OF LESS THAN 10 PF, THE PARALLEL DAMPING AT 1 MC/S IS MIN. 15 MΩ.
 INSULATION RES: MIN 50,000 MΩ AT 20°C.

TMC PART#	MFR. #	L" <i>μ</i>	TOL	MODEL
CC10003-1	C3040C/B12E	.47	± 5%	AMC 6-5
-2	OB50LETE			
CC10003-3	C3040C/B/C33E	.47	± 2%	AMC 6-5
-4	OB50LETE			
CC10003-5	C3040C/B/B150E	1.02	± 5%	
CC10003-6	C3040C/H/K1E5	.47	± 2.5% <i>μ</i>	LMC -10
CC10003-7	C3040C/H/B15E	.47	± 5%	LMC -10
CC10003-8	C3040C/B/N2E2	12	± 2.5% <i>μ</i>	AMC 6-2/3
CC10003-9	C3040C/B/L4E7	12	± 5% <i>μ</i>	AMC 6-2/3
CC10003-10	C3040C/B/D10E	20	± 2%	AMC 6-2/3

ISSUE ITEM	CHANGED FROM	DATE	CN. NO.	DRAFTS CHECKER	ENG. APP.
F	DELE CC10003-2 & 4	8/25/57	18307	H.G.	K.H.
E	(-10) T. L. WAS ± 1% MFR. # C3040C WAS C304A...	4/20/65	13560	J.P.C.	J.P.B.
D	-8, -9, -10 ADDED.	3/1/60		J.P.C.	A.L.K.
C	MFRS. CODE CORRECTED	26/10/60		J.P.C.	R.W.S.
B	-7 & NOTE ADDED	28/9/60		J.P.C.	R.W.S.
A	-5; -6 ADDED	5/13/60		M.K.	R.W.S.

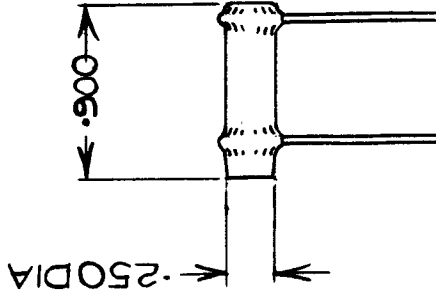
SCALE S-10045-1

DRILL, PUNCH, COMMERCIAL STOCK SIZES AND MANUFACTURERS TOLERANCES ARE NOT INCLUDED.

REQ. ITEM	PART NO.	DESCRIPTION	SYMBOL
		TMC (Canada) LIMITED OTTAWA ONTARIO	
		CAPACITOR, FIXED	
		TUBULAR, CERAMIC	
		DCM	
		DRAWN	ELEC. DES. APP. <i>[Signature]</i>
		CHECKED	MECH. DES. APP. <i>[Signature]</i>
		HEAT TREAT. SPEC.	FINAL APPROVAL
		FINISH & SPEC. N.	CC10003 F

IF IT IS FOUND DESIRABLE TO CHANGE ANY TOLERANCE OR OTHER DETAIL SPECIFIED ON THIS DRAWING NOTIFY THE PURCHASER PROMPTLY.

MAXIMUM ALLOWABLE TOLERANCES HAVE BEEN DETERMINED AND DEVIATIONS WILL BE CAUSE FOR REJECTION. REMOVE ALL BURRS AND SHARP EDGES



STANDARD DRAWING

CC10004

USED ON

MODEL PROJECT NO. ASS'Y. NO. DATE

AMC6-5 CE646

28 MAY 1959

NOTICE TO PERSONS RECEIVING THIS DRAWING

THE TECHNICAL MATERIEL CORPORATION claims proprietary right in the material disclosed hereon. This drawing is issued in confidence for engineering information only and may not be reproduced or used in any manufacture anything shown hereon without permission from THE TECHNICAL MATERIEL CORPORATION to the user. This drawing is loaned for mutual assistance and is subject to recall at any time.

Property of:

THE TECHNICAL MATERIEL CORPORATION
MAMARONECK, NEW YORK

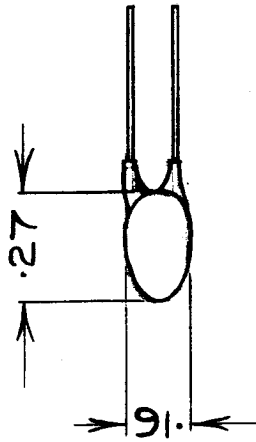
REF: CENTRALAB -
CAPACITY: 3300 MMF
TOLERANCE: 5%
CAT. NO.: D6-332

REQ. ITEM	PART NO.	DESCRIPTION	SYMBOL
		TMC (Canada) LIMITED OTTAWA	
		CAPACITOR	
		FIXED TUBULAR CERAMIC	
MATERIAL	WEIGHT PER PC.		
		DCM	
TYPE & TEMPER			
		DRAWN	ELEC. DES. APP. MECH. DES. APP.
HEAT TREAT. SPEC.			FINAL APPROVAL
FINISH & SPEC. NO.			CC10004

ISSUE ITEM	CHANGED FROM	DATE	CN. NO.	DRAFTS CHECKER	ENG. APP.
TOLERANCES					
SCALE 1:1					
DRILL, PUNCH, COMMERCIAL STOCK SIZES AND MANUFACTURERS TOLERANCES ARE NOT INCLUDED.					
ALL OTHERS	DEC. DIM. ± .010				
	FRAC. DIM. ± —				
	ANGULAR DIM. ± —				

IF IT IS FOUND DESIRABLE TO CHANGE ANY TOLERANCE OR OTHER DETAIL SPECIFIED ON THIS DRAWING NOTIFY THE PURCHASER PROMPTLY.

MAXIMUM ALLOWABLE TOLERANCES HAVE BEEN DETERMINED AND DEVIATIONS WILL BE CAUSE FOR REJECTION. REMOVE ALL BURRS AND SHARP EDGES



STANDARD DRAWING

CC10005 A

USED ON

MODEL PROJECT NO. ASS'Y. NO. DATE

AMC6-5 CE646

MAY 28 1959

NOTICE TO PERSONS RECEIVING THIS DRAWING

THE TECHNICAL MATERIEL CORPORATION claims proprietary right in the material disclosed hereon. This drawing is issued in confidence for engineering information only and may not be reproduced or used in manufacture anything shown hereon without permission from THE TECHNICAL MATERIEL CORPORATION to the user. This drawing is loaned for mutual assistance and is subject to recall at any time.

Property of:

THE TECHNICAL MATERIEL CORPORATION
MAMARONECK, NEW YORK

REF: S10045-1 (C322BA/F1K)

CAPACITANCE - 1,000 μf
TOLERANCE - 20/+50%

REQ. ITEM	PART NO.	DESCRIPTION	SYMBOL
		TMC (Canada) LIMITED OTTAWA ONTARIO	
		CAPACITOR	
		PEARL TYPE CERAMIC	
		DCM	
		DRAWN	ELEC. DES. APP. <i>M. Kr.</i> MECH. DES. APP.
		CHECKED	FINAL APPR. VAL <i>None</i>
		HEAT TREAT. SPEC.	
		FINISH & SPEC. NO.	CC10005 A

A 1	REF. WAS ROGERS...	8.26.64	122.19	ASB	80/2	MMK
ISSUE ITEM	CHANGED FROM	DATE	CN. NO.	DRAFTS	CHECKER	ENG. APP.
TOLERANCES						
SCALE 2:1						
DEC. DIM. $\pm .010$						
FRAC. DIM. $\pm \frac{1}{16}$						
ANGULAR DIM. $\pm \frac{1}{16}$						
DRILL, PUNCH, COMMERCIAL STOCK SIZES AND MANUFACTURERS TOLERANCES ARE NOT INCLUDED.						

IF IT IS FOUND DESIRABLE TO CHANGE ANY TOLERANCE OR OTHER DETAIL SPECIFIED ON THIS DRAWING NOTIFY THE PURCHASER PROMPTLY.

MAXIMUM ALLOWABLE TOLERANCES HAVE BEEN DETERMINED AND DEVIATIONS WILL BE CAUSE FOR REJECTION. REMOVE ALL BURRS AND SHARP EDGES

STANDARD DRAWING

CC-10006

USED ON

ASS'Y. NO.

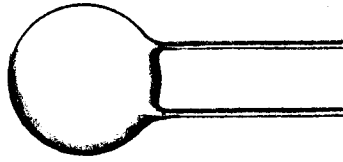
DATE

PROJECT NO.

MODEL

MAR. 16/60

TMC PART NO.	MFR. PART NO.	CAPACITY μ F	VOLTAGE DCW.	TOLERANCE	DIA.	THICKNESS
CC-10006-1	DD-503	0.05	600	+ 80% - 20%	7/8"	15/64"



NOTICE TO PERSONS RECEIVING THIS DRAWING

THE TECHNICAL MATERIEL CORPORATION disclaims any proprietary right in the material disclosed herein. This drawing is issued in confidence for the use of the recipient to manufacture only and may not be reproduced or transmitted to any other person without the express written permission from THE TECHNICAL MATERIEL CORPORATION to the user. This drawing is issued as a loan and is subject to recall at any time.

Property of:

THE TECHNICAL MATERIEL CORPORATION
MAMARONECK, NEW YORK

REQ. ITEM	PART NO.	DESCRIPTION	SYMBOL
		TMC (Canada) LIMITED OTTAWA	
		CAPACITOR, FIXED,	
		DISC CERAMIC	
		MK	
		DRAWN	ELEC. DES. APP. MECH. DES. APP.
		CHECKED	FINAL APPROVAL
		HEAT TREAT. SPEC.	
		FINISH & SPEC. NO.	CC-10006

ISSUE ITEM	CHANGED FROM	DATE	CN. NO.	DRAFTS	CHECKER	ENG. APP.
TOLERANCES						
ALL	DEC. DIM. \pm	DIMENSIONS IN INCHES				
OTHERS	FRAC. DIM. \pm	UNLESS OTHERWISE SPECIFIED				
	ANGULAR DIM. \pm	DRILL, PUNCH, COMMERCIAL STOCK SIZES AND MANUFACTURERS TOLERANCES ARE NOT INCLUDED.				

IF IT IS FOUND DESIRABLE TO CHANGE ANY TOLERANCE OR OTHER DETAIL SPECIFIED ON THIS DRAWING NOTIFY THE PURCHASER PROMPTLY.

MAXIMUM ALLOWABLE TOLERANCES HAVE BEEN DETERMINED AND DEVIATIONS WILL BE CAUSE FOR REJECTION. REMOVE ALL BURRS AND SHARP EDGES

STANDARD DRAWING

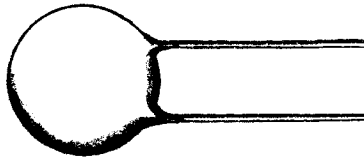
CC-10007

USED ON

MODEL PROJECT NO. ASS'Y. NO. DATE

MAR. 16/60

TMC PART NO.	MFR NO. "ULTRA-KAPS"	CAPACITY μ F	VOLTAGE D.C.W.	TOLERANCE	DIA.	THICKNESS
CC-10007-1	UK-10-503	0.05	10'	+ 80 - 20%	1/4"	0.156"



NOTICE TO PERSONS RECEIVING THIS DRAWING

THE TECHNICAL MATERIEL CORPORATION claims proprietary right in the material disclosed hereon. This drawing is issued in confidence for engineering information only and may not be reproduced or used to manufacture anything shown herein without permission from THE TECHNICAL MATERIEL CORPORATION to the user. This drawing is loaned for initial assistance and is subject to recall at any time.

Property of:

THE TECHNICAL MATERIEL CORPORATION
MAMARONECK, NEW YORK

REQ. ITEM	PART NO.	DESCRIPTION	SYMBOL
		TMC (Canada) LIMITED OTTAWA ONTARIO	
		CAPACITOR, FIXED,	
		CERAMIC DISC	
		MK	
		DRAWN	ELEC. DES. APP. <i>MP</i>
		CHECKED	MECH. DES. APP.
		HEAT TREAT. SPEC.	FINAL APPROVAL
		FINISH & SPEC. NO.	CC-10007

ISSUE	ITEM	CHANGED FROM	DATE	CN. NO.	DRAFTS	CHECKER	ENG. APP.

TOLERANCES	
SCALE S-401-61 "ULTRA-KAPS"	DIMENSIONS IN INCHES
	UNLESS OTHERWISE SPECIFIED
	DRILL, PUNCH, COMMERCIAL STOCK
	SIZES AND MANUFACTURERS
	TOLERANCES ARE NOT INCLUDED.

STANDARD DRAWING

IF IT IS FOUND DESIRABLE TO CHANGE ANY TOLERANCE OR OTHER DETAIL SPECIFIED ON THIS DRAWING NOTIFY THE PURCHASER PROMPTLY.

CC-100008

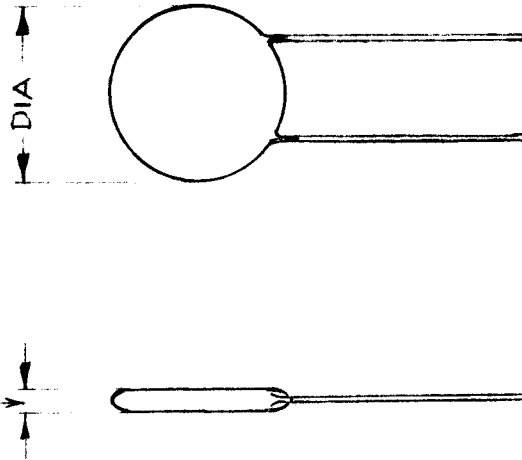
MAXIMUM ALLOWABLE TOLERANCES HAVE BEEN DETERMINED AND DEVIATIONS WILL BE CAUSE FOR REJECTION. REMOVE ALL BURRS AND SHARP EDGES

USED ON

MODEL	PROJECT NO.	ASS'Y. NO.	DATE
AMC - G/3		A - 10014 A	MAY 16/60
AMC - G/3		A - 10014 A	
AMC - G/3		A - 10014 A	

TMC PART NO.	MANUF.	MANUF. PART NO.	CAP.	TOL.	TEMP. COEFF. ppm/°C	TOL.	DIA.	THICKNESS
CC-10008-1	DTZ	-2R2	2.2UUF	±.5UUF	0	—	1/4"	5/32"
CC-10008-2	DTZ	-4R7	4.7UUF	±.5UUF	0	—	1/4"	5/32"
CC-10008-3	DTZ	-100	100UUF	±5%	0	—	9/16"	5/32"

THICKNESS



NOTICE TO PERSONS RECEIVING THIS DRAWING

THE TECHNICAL MATERIEL CORPORATION claims proprietary right in the material disclosed hereon. This drawing is issued in confidence for engineering information only and may not be re-duced or used for manufacture without express written permission from THE TECHNICAL MATERIEL CORPORATION. All rights are reserved. This drawing is intended for use by the recipient and its use is not to be recalled in any form.

Proprietary

THE TECHNICAL MATERIEL CORPORATION
 1111 MARQUETTE ST., NEW YORK 17, N.Y.

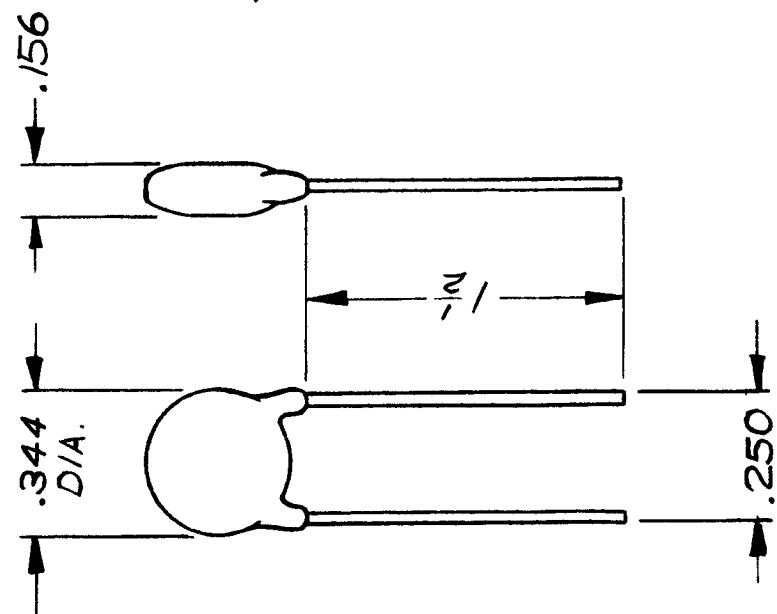
REQ. ITEM	ITEM	PART NO.	DESCRIPTION	SYMBOL
			TMC (Canada) LIMITED OTTAWA ONTARIO	
			TEMPERATURE COMPENSATING	
			DISC CERAMIC FIXED CAPACITOR	
			M K	R. W. Thomas
			DRAWN	ELEC. DES. APP.
			CHECKED	MECH. DES. APP.
				FINAL APPROVAL
				CC-10008

REQ. ITEM	ITEM	PART NO.	DESCRIPTION	SYMBOL
			STOCK SIZE	
			MATERIAL	WEIGHT PER PC.
			TYPE & TEMPER	
			HEAT TREAT. SPEC.	
			FINISH & SPEC. NO.	

ISSUE	ITEM	CHANGED FROM	DATE	CN. NO.	DRAFTS	CHECKER	ENG. APP.

TOLERANCES	
DEC. DIM. ±	DIMENSIONS IN INCHES
FRAC. DIM. ±	UNLESS OTHERWISE SPECIFIED
ANGULAR DIM. ±	DRILL, PUNCH, COMMERCIAL STOCK
	SIZES AND MANUFACTURERS
	TOLERANCES ARE NOT INCLUDED.

ISSUE	ITEM	CHANGED FROM	DATE	CN. NO.	DRAFTS	CHECKER	ENG. APP.	REQ.	ITEM	PART NO.	DESCRIPTION	SYMBOL
<p><i>.01μF, ±10%, 200 VDCW STYLE 815 OR EQUIVALENT</i></p>												
<p>REF: S401-203</p>												
AMC 20	MODEL	020/66	PROJECT NO.	ASS'Y. NO.	DATE	16 NOV 65						
USED ON												
<p>MAXIMUM ALLOWABLE TOLERANCES HAVE BEEN DETERMINED AND DEVIATIONS WILL BE CAUSE FOR REJECTION. REMOVE ALL BURRS AND SHARP EDGES</p>						<p>IF IT IS FOUND DESIRABLE TO CHANGE ANY TOLERANCE OR OTHER DETAIL SPECIFIED ON THIS DRAWING NOTIFY THE PURCHASER PROMPTLY.</p>						
<p>TOLERANCES</p> <p>DEC. DIM. ±</p> <p>FRAC. DIM. ±</p> <p>ANGULAR DIM. ±</p>						<p>SCALE</p> <p>DIMENSIONS IN INCHES UNLESS OTHERWISE SPECIFIED</p> <p>DRILL, PUNCH, COMMERCIAL STOCK SIZES AND MANUFACTURERS TOLERANCES ARE NOT INCLUDED.</p>						
<p>STOCK SIZE</p>			<p>MATERIAL</p>			<p>WEIGHT PER PC.</p>			<p>TYPE & TEMPER</p>			
<p>TMC (Canada) LIMITED OTTAWA ONTARIO</p>			<p>CAPACITOR, FIXED</p>			<p>DISC .01μF ±10%</p>			<p>RD</p>			
<p>DRAWN</p>			<p>ELEC. DES. APP.</p>			<p>MECH. DES. APP.</p>			<p>FINAL APPROVAL</p>			
<p>CC10009</p>												

ISSUE	ITEM	CHANGED FROM	DATE	CN. NO.	DRAFTS	CHECKER	ENG. APP.	REQ.	ITEM	PART NO.	DESCRIPTION	SYMBOL	
0		REL. TO PROD.	SEPT 20/67		RPL								
													
<p>VALUE .01 MF TEMP. CHAR. + 22 %_o, - 82 %_o ΔC - 55°C TO 85°C CAP. TOL. ± 20 %</p> <p>MFGR PART # 805-000-X5V0-103Z MFGR - S401-203</p>													
STR-5		062/67		4 AUG/67								TMC (Canada) LIMITED OTTAWA ONTARIO	
MODEL		PROJECT NO.		DATE		ASS'Y. NO.		STOCK SIZE		CAPACITOR FIXED		CERAMIC	
MAXIMUM ALLOWABLE TOLERANCES HAVE BEEN DETERMINED AND DEVIATIONS WILL BE CAUSE FOR REJECTION. REMOVE ALL BURRS AND SHARP EDGES				IF IT IS FOUND DESIRABLE TO CHANGE ANY TOLERANCE OR OTHER DETAIL SPECIFIED ON THIS DRAWING NOTIFY THE PURCHASER PROMPTLY.				DRAWN AP		ELEC. DES. APP. RPC		MECH. DES. APP. [Signature]	
TOLERANCES				SCALE M.T.S.				TYPE & TEMPER		HEAT TREAT. SPEC.		FINISH & APPROVAL	
DEC. DIM. ±		DIMENSIONS IN INCHES		UNLESS OTHERWISE SPECIFIED		DRILL, PUNCH, COMMERCIAL STOCK SIZES AND MANUFACTURERS		FINISH & SPEC. NO.		CC10012		0	
ALL OTHERS		ANGULAR DIM. ±		TOLERANCES ARE NOT INCLUDED.									

ISSUE	ITEM	CHANGED FROM	DATE	CH. NO.	DRAFTS	CHECKER	ENG. APP.	REQ.	ITEM	PART NO.	DESCRIPTION	SYMBOL
Ø		REL. TO PROD.	SEPT 7/67		RPL							

$S \pm .031 \Phi \text{ TO } \Phi$

CAP MF. L" MAX. W" MAX. T" MAX. "S" LEAD SPACING D(ANG) ⁺⁰⁰¹ ₋₀₀₄

1.0	.500	.500	.140	.400 OR .375	# 22
-----	------	------	------	--------------	------

REF. MFGR. PART NO. 6151-000-X5V-105M

NOTE:

VOLTAGE RATING - 100WVDC AT 85°C
 CAPACITANCE TOLERANCE - ± 20% (CODE M)
 TEMPERATURE CHARACTERISTICS - X5V
 (+22%, -82% ΔC -55°C TO +85°C)
 DISSIPATION FACTOR - 2.5% MAX.
 INSULATION RESISTANCE 1000 MEGOHMS MIN.
 AT 25°C AFTER A 2 MINUTE ELECTRIFICATION AT 100VDC.
 DIELECTRIC WITHSTANDING VOLTAGE - 300%
 OF RATED VOLTAGE FOR 5 SECONDS AT
 25°C WITH CURRENT LIMITED TO 50 MA.

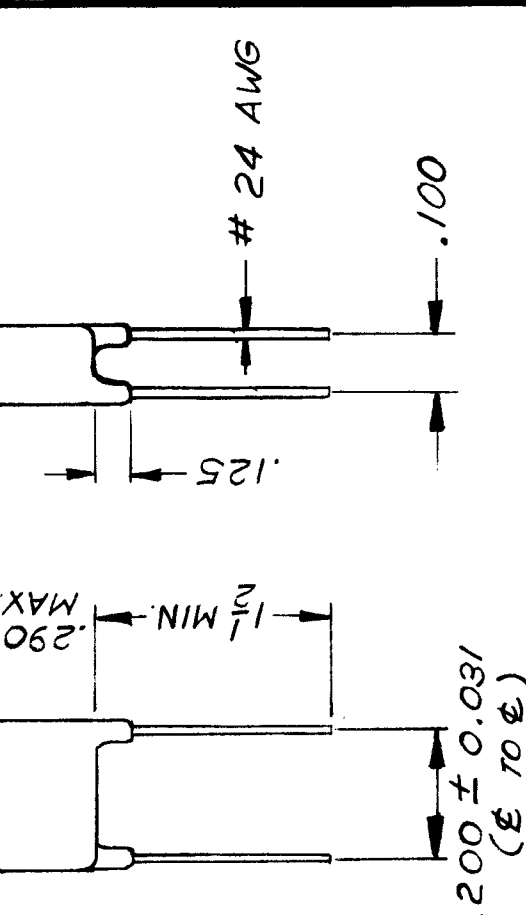
MGFR. S 401 - 203

STR-5	062 167	7/SEPT/67	
MODEL	PROJECT NO.	DATE	ASS'Y. NO.
USED ON			
MAXIMUM ALLOWABLE TOLERANCES HAVE BEEN DETERMINED AND DEVIATIONS WILL BE CAUSE FOR REJECTION. REMOVE ALL BURRS AND SHARP EDGES		IF IT IS FOUND DESIRABLE TO CHANGE ANY TOLERANCE OR OTHER DETAIL SPECIFIED ON THIS DRAWING NOTIFY THE PURCHASER PROMPTLY.	
SCALE N.T.S.			
DIMENSIONS IN INCHES UNLESS OTHERWISE SPECIFIED			
DRILL, PUNCH, COMMERCIAL STOCK SIZES AND MANUFACTURERS TOLERANCES ARE NOT INCLUDED.			

			TMC (Canada) LIMITED OTTAWA ONTARIO
MATERIAL		CAPACITOR FIXED CERAMIC	
TYPE & TEMPER		AP	
WEIGHT PER PC.			
HEAT TREAT. SPEC.		DRAWN RRL	
FINISH & SPEC. NO.		ELEC. DES. APP. MECH. DES. APP. FINAL APPROVAL	
		CC 10013 Ø	

CC 10015

ISSUE	ITEM	CHANGED FROM	DATE	CN. NO.	DRAFTS	CHECKER	ENG. APP.	REQ.	ITEM	PART NO.	DESCRIPTION	SYMBOL
Ø		REL TO PROD	SEPT 1968		AP							
A		REVISED AS PER CEMN	12 FEB 1970	718	AL							



CC 10015 - X5V 104 M

TMC PART# _____ TEMP. CHAR. VALUE _____ CAR. TOL. _____
 IN MMF

NOTE:

1. BASIC PART NUMBER - TMC NO. CC 10015 CORRESPONDS TO MANUFACTURER'S STYLE G131-100
2. TEMPERATURE CHARACTERISTICS - X5V - +22% - 82% CAPACITANCE CHANGE, -55°C TO 85°C
 Z5V - +22% - 56% CAPACITANCE CHANGE, +22°C TO -56°C
3. CAPACITANCE TOLERANCE - M - ± 20%
 Z - ± 80% - 20%
4. VALUES AVAILABLE - 0.10 µF ; 0.15 µF ; 0.22 µF ; 0.33 µF
5. WORKING VOLTAGE - 100 VOLTS

STANDARD DRAWING

MFGR NO. - 6131-100
 MFGR. - S401-203

TMC (Canada) LIMITED OTTAWA ONTARIO		CAPACITOR, CERAMIC	
FIXED		AD	
DRAWN		ELEC. DES. APP.	
CHECKED		MECH. DES. APP.	
FINAL APPROVAL		CC 10015	
A		A	

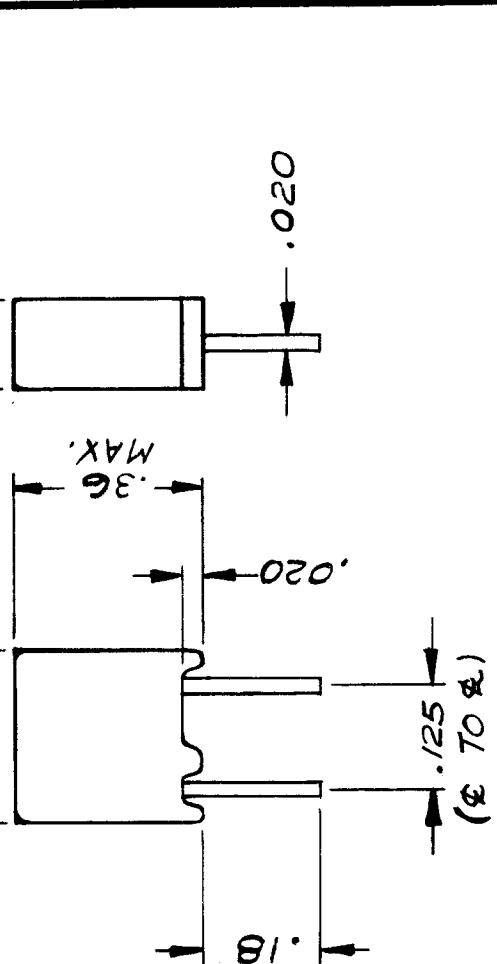
MODEL	PROJECT NO.	ASS'Y. NO.	DATE
			SEPT 19/68

MAXIMUM ALLOWABLE TOLERANCES HAVE BEEN DETERMINED AND DEVIATIONS WILL BE CAUSE FOR REJECTION. REMOVE ALL BURRS AND SHARP EDGES	IF IT IS FOUND DESIRABLE TO CHANGE ANY TOLERANCE OR OTHER DETAIL SPECIFIED ON THIS DRAWING NOTIFY THE PURCHASER PROMPTLY.
TOLERANCES	SCALE N.T.S.
DEC. DIM. ±	DIMENSIONS IN INCHES UNLESS OTHERWISE SPECIFIED
FRAC. DIM. ±	DRILL, PUNCH, COMMERCIAL STOCK SIZES AND MANUFACTURERS TOLERANCES ARE NOT INCLUDED.
ANGULAR DIM. ±	

STOCK SIZE	WEIGHT PER PC.
MATERIAL	TYPE & TEMPER
HEAT TREAT. SPEC.	FINISH & SPEC. NO.

CC 10016

ISSUE	ITEM	CHANGED FROM	DATE	CN. NO.	DRAFTS	CHECKER	ENG. APP.	REQ.	ITEM	PART NO.	DESCRIPTION	SYMBOL
Ø		REL TO PROD	SEPT 20/68		AP							
A		REVISED AS PER CEMN	12 FEB 1970	718	AK							



CC 10016 - X5R 152 K

TMC PART # TEMP. CHAR. VALUE IN MMF CAP TOL

NOTE:

1. BASIC PART NUMBER - TMC NO. CC 10016 CORRESPONDS TO MANUFACTURER'S STYLE 8523-006
2. TEMPERATURE CHARACTERISTICS - W5R - ± 15% CAPACITANCE CHANGE -55°C +125°C X5R - ± 15% CAPACITANCE CHANGE -55°C +85°C
3. CAPACITANCE TOLERANCE - K - ± 10% M - ± 20%
4. VALUES AVAILABLE - SEE MANUFACTURER CATALOGUE
5. WORKING VOLTAGE - 50 VOLTS

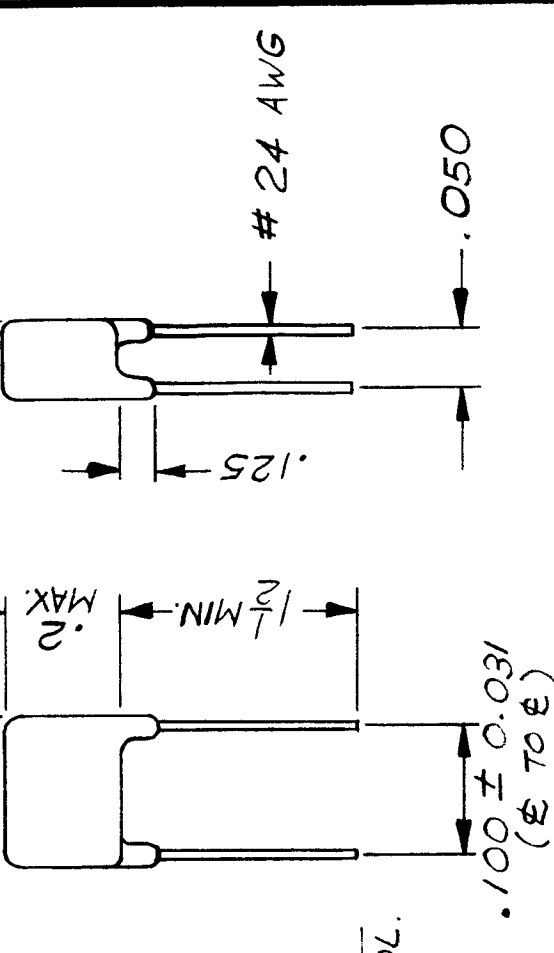
STANDARD DRAWING

MFGR - 8523-006
 MFGR - 5401-203

MODEL		PROJECT NO.	DATE	SEPT 19/68	
USED ON		ASS'Y. NO.	TMC (Canada) LIMITED OTTAWA ONTARIO		
MATERIAL		WEIGHT PER PC.	CAPACITOR, CERAMIC		
TYPE & TEMPER		FIXED			
HEAT TREAT. SPEC.		AP			
FINISH & SPEC. NO.		CC 10016 A			
TOLERANCES		SCALE N.T.S.			
DEC. DIM. ±		IF IT IS FOUND DESIRABLE TO CHANGE ANY TOLERANCE OR OTHER DETAIL SPECIFIED ON THIS DRAWING NOTIFY THE PURCHASER PROMPTLY.			
FRAC. DIM. ±		DIMENSIONS IN INCHES UNLESS OTHERWISE SPECIFIED			
ANGULAR DIM. ±		DRILL, PUNCH, COMMERCIAL STOCK SIZES AND MANUFACTURERS TOLERANCES ARE NOT INCLUDED.			
ALL OTHERS		DRAWN			
		ELEC. DES. APP.			
		MECH. DES. APP.			
		CHECKED			
		FINAL APPROVAL			

CC 10017

ISSUE	ITEM	CHANGED FROM	DATE	CN. NO.	DRAFTS	CHECKER	ENG. APP.	REQ.	ITEM	PART NO.	DESCRIPTION	SYMBOL
Ø		REL TO PROD	SEPT 20/68		AP		KaH					
A		REVISED AS PER CEMN	12 FEB 1970	718	N							



CC 10017 - X5V 103 M

TMC PART # TEMP. CHAR. VALUE CAR. TOL. IN MMF

NOTE: STANDARD DRAWING

1. BASIC PART NUMBER - TMC NO. CC 10017 CORRESPONDS TO MANUFACTURER'S STYLE G121-100
2. TEMPERATURE CHARACTERISTICS - X5V - +22% - 82% CAPACITANCE CHANGE, -55°C TO 85°C; Z5V - +22% - 56% CAPACITANCE CHANGE, +22°C TO -56°C
3. CAPACITANCE TOLERANCE - M - +20% - 20%; Z - +80% - 20%
4. VALUES AVAILABLE - C.01µF; 0.015µF; 0.022µF; 0.033µF; 0.047µF; 0.068µF; 0.10µF; 0.15µF; 0.22µF; 0.33µF; 0.47µF; 0.68µF; 1.0µF; 1.5µF; 2.2µF; 3.3µF; 4.7µF; 6.8µF; 10µF; 15µF; 22µF; 33µF; 47µF; 68µF; 100µF
5. WORKING VOLTAGE - 100 VOLTS

MODEL		PROJECT NO.	ASSY. NO.	DATE	TMC (Canada) LIMITED OTTAWA ONTARIO	
USED ON		SEPT 20/68			CAPACITOR, CERAMIC	
MAXIMUM ALLOWABLE TOLERANCES HAVE BEEN DETERMINED AND DEVIATIONS WILL BE CAUSE FOR REJECTION. REMOVE ALL BURRS AND SHARP EDGES		IF IT IS FOUND DESIRABLE TO CHANGE ANY TOLERANCE OR OTHER DETAIL SPECIFIED ON THIS DRAWING NOTIFY THE PURCHASER PROMPTLY.			FIXED	
TOLERANCES		SCALE N.T.S.			DRAWN KaH	
DEC. DIM. ±		DIMENSIONS IN INCHES			ELEC. DES. BY	
FRAC. DIM. ±		UNLESS OTHERWISE SPECIFIED			CHECKED	
ANGULAR DIM. ±		DRILL, PUNCH, COMMERCIAL STOCK SIZES AND MANUFACTURERS TOLERANCES ARE NOT INCLUDED.			FINAL APPROVAL	
ALL OTHERS					CC 10017 A	