

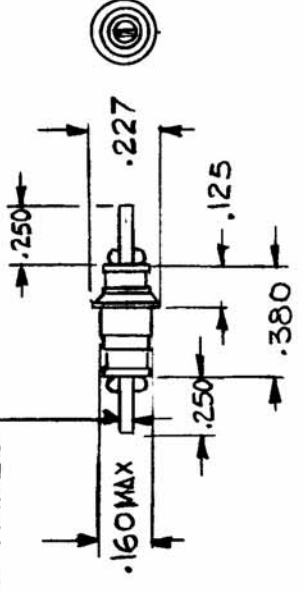
REQ. PER UNIT	MODEL	USED ON
	APR-110	ASSY. NO.
		DATE

CC132

CC132-101

TMC P/NO. CAP. IN PF  
(3RD DIGIT IS MULTIPLIER)

# 14 AWG OPTIONAL  
# 16 AWG  
.051 TINNED



SPECIFICATIONS:  
CAPACITANCE RANGE - 10PF THROUGH 5,000PF  
TOLERANCE ± 20%  
WORKING VOLT D.C. - 500 VDC  
TEMP. RANGE - 55°C TO + 85°C

MFG. P/NO (ERIE) 2404-000

REQ. ITEM	PART NO.	DESCRIPTION	SYMBOL
		TMC INDUSTRIAL CORP. MAMARONECK. NEW YORK	
		CAPACITOR, CERAMIC	
		MATERIAL	
		TYPE & TEMPER	HEAT TREAT. SPEC
		FINISH & SPEC. NO.	ELEC. DES. APP. MECH. DES. APP.
ISSUE ITEM		CHANGED FROM	DATE
TOLERANCES		CH. NO.	DRAFTS
DEC. DIM. ±		CHECKER	ENG. APP.
FRAC. DIM. ±		SCALE: 5401-203	
ANGULAR DIM. ±		MAXIMUM ALLOWABLE TOLERANCES HAVE BEEN DETERMINED AND ANY DEVIATIONS WILL BE CAUSE FOR REJECTION. REMOVE ALL BURRS AND SHARP EDGES	
		G.D.L 6/17/77	DRAWN
			CHECKED
			FINAL APPROVAL
			CC132