

MFR TYPE	CAPACITANCE RANGE (Pf)	WORKING VOLTS		TEST VOLTS RMS	AMPS MAX.	KVAR MAX.
		DC & HF PEAK	HF ONLY			
HPD 65/90	600 TO 900	8500	6000	12,000	50	30
HPD 65/105	900 TO 1200	8500	6000	12,000	50	30
HPD 65/115	1200 TO 1600	8500	6000	12,000	50	30
HPD 65/130	1600 TO 2000	8500	6000	12,000	50	25
HPD 45/90	350 TO 500	14,000	10,000	20,000	25	16
HPD 45/90	500 TO 600	10,000	10,000	15,000	25	16

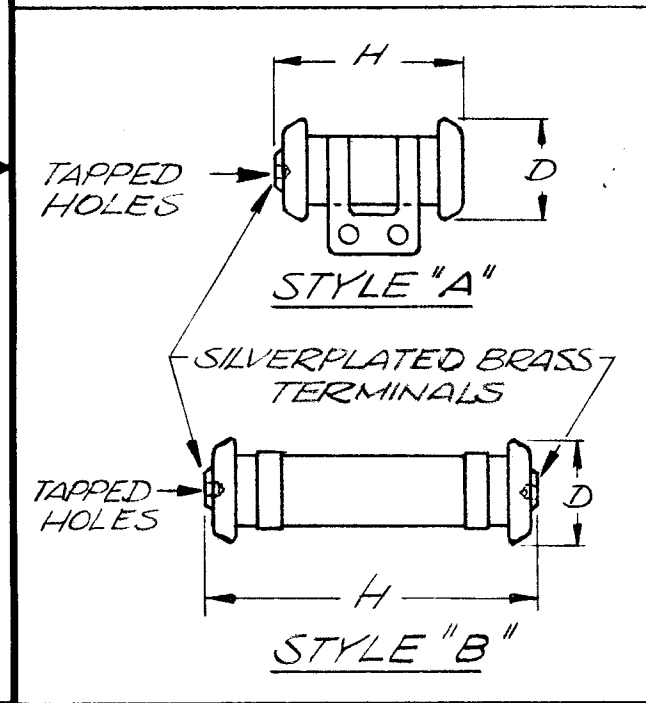
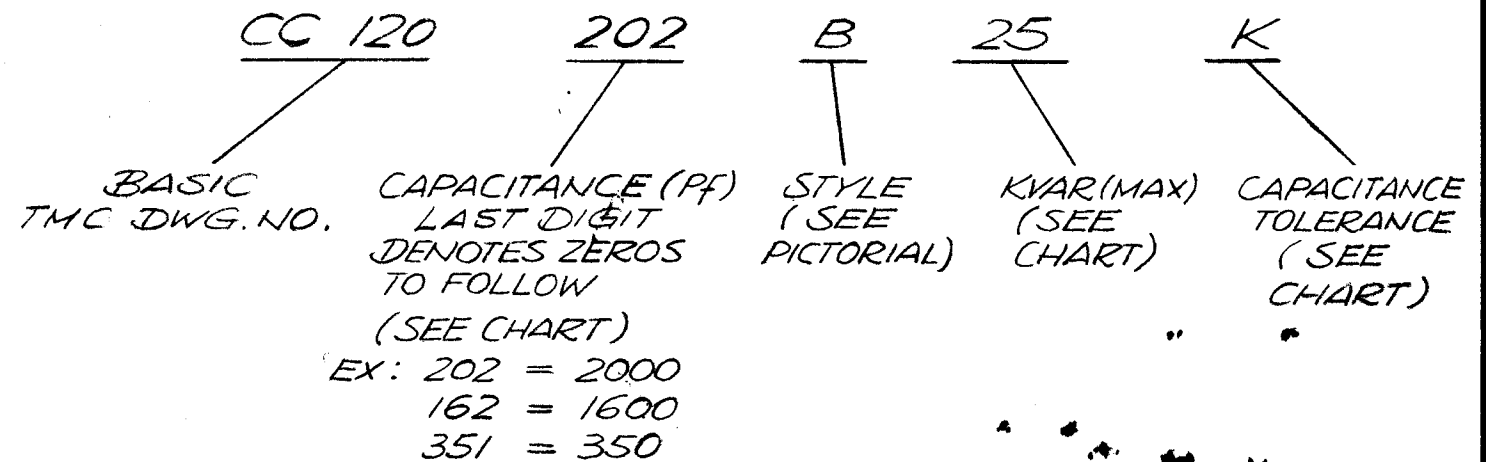
CAPACITANCE TOLERANCE		REVISIONS							
		ZONE	LTR	DESCRIPTION	DATE	E.M.N.NO	DRAFT	CHKD	APPD
SYMBOL	PER CENT		X	EXP. RELEASE	9/23/69				
J	± 5%		Ø	ORIGINAL RELEASE	1/16/70				
K	± 10%		A	CAP. TOL CHART ADD.	3/11/70	19780			
M	± 20%								

SPECIFICATIONS:

INSULATION RESISTANCE: > 20,000 MEGOHMS

TEMPERATURE COEFFICIENT: N 750
% P.F. = <.10

TMC PART NUMBER SHALL APPEAR IN THE FOLLOWING FORM:



MFR TYPE	STYLE	D MAX.	H MAX.	THD. SIZE
HPD 65/90	A	25/8	349/64	5/16-18
HPD 65/105	A	25/8	423/64	5/16-18
HPD 65/115	A	25/8	449/64	5/16-18
HPD 65/130	A	25/8	523/64	5/16-18
HPD 45/90	B	1 13/16	7 9/16	5/16-18

QTY / UNIT	MODEL USED ON	ASS'Y NO.
	PALA - 10K	AX5084
APPLICATION		
	CODE	5401 - 93

NOTICE TO PERSONS RECEIVING THIS DRAWING
 THE TECHNICAL MATERIEL CORPORATION claims proprietary right in the material disclosed hereon. This drawing is issued in confidence for engineering information only and may not be reproduced or used to manufacture anything shown hereon without permission from THE TECHNICAL MATERIEL CORPORATION to the user. This drawing is loaned for mutual assistance and is subject to recall at any time.

UNLESS OTHERWISE SPECIFIED DIMENSIONS ARE IN INCHES AND INCLUDE CHEMICALLY APPLIED OR PLATED FINISHES	FINAL APPROVAL	DATE
	<i>[Signature]</i>	1-70
DECIMALS	FRACTIONS	
.X ± .05	1/64	
.XX ± .01	TOLS. ANGLES	
.XXX ± .005	0° -30'	
MATERIAL	ELECT. DES.	DATE
	<i>[Signature]</i>	10/2/69
FINISH	CHECKED	DATE
	<i>[Signature]</i>	10/2/69
	DRAWN	DATE
	<i>[Signature]</i>	10/2/69

REQ'D	ITEM	PART NUMBER	DESCRIPTION	SYM.
LIST OF MATERIAL				
THE TECHNICAL MATERIEL CORP. MAMARONECK, NEW YORK				
CAPACITOR, FIXED, CERAMIC				
SIZE	CODE IDENT. NO.	DWG NO.	ISSUE	
B	82679	CC 120	A	
SCALE			SHEET	OF