

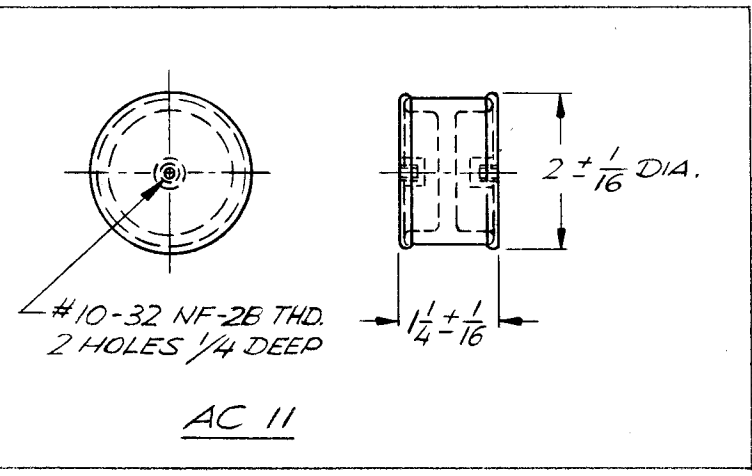
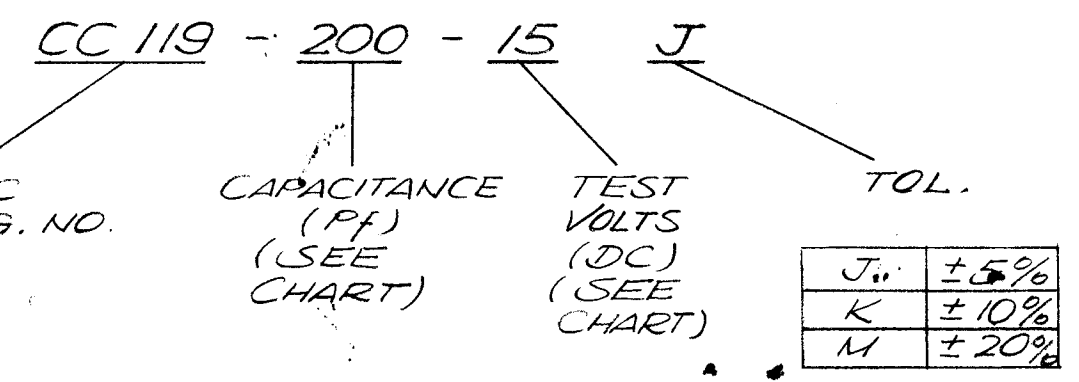
MFG TYPE	CAPACITANCE RANGE PF	WORKING VOLTS DC & HF PEAK	TEST VOLTS DC	AMPS. MAX.	KVAR MAX.	TEMP COEF.	POWER FACTOR
AC II	20 - 75	10 KV	15 KV	24	30	NPO	.05
AC II	20 - 100	8 KV	12 KV	24	30	NPO	.05
AC II	50 - 300	10 KV	15 KV	24	15	N750	.05
AC II	50 - 390	8 KV	12 KV	24	15	N750	.05

REVISIONS						
ZONE	LTR	DESCRIPTION	DATE	E.M.N. NO	DRAFT	CHKD APPD
	X	EXP. RELEASE	10/2/69			
	Ø	ORIG RELEASE FOR PROD	12/31/69		CV	
	A	ADD SPARE PTS NOTE	11-11-72	20935	EE	ej ef

TMC MFG CODE NO: 5401 - 93
 INSULATION RESISTANCE: GREATER THAN 20,000 MEGOHMS
 COMPOSITION: CERAMIC

NO LONGER AVAILABLE FOR SPARE PARTS FOR AS 145 USE AX 747.

TMC PART NUMBER SHALL APPEAR IN THE FOLLOWING FORM:



2	PALA - 10K	AS 145
QTY / UNIT	MODEL USED ON	ASS'Y NO.
APPLICATION		
	CODE	5401 - 93

NOTICE TO PERSONS RECEIVING THIS DRAWING
 THE TECHNICAL MATERIEL CORPORATION claims proprietary right in the material disclosed hereon. This drawing is issued in confidence for engineering information only and may not be reproduced or used to manufacture anything shown hereon without permission from THE TECHNICAL MATERIEL CORPORATION to the user. This drawing is loaned for mutual assistance and is subject to recall at any time.

UNLESS OTHERWISE SPECIFIED DIMENSIONS ARE IN INCHES AND INCLUDE CHEMICALLY APPLIED OR PLATED FINISHES	
DECIMALS .X ± .05 .XX ± .01 .XXX ± .005	FRACTIONS 1/64 ANGLES 0° - 30'
MATERIAL	
FINISH	

REQ'D	ITEM	PART NUMBER	DESCRIPTION	SYM.
LIST OF MATERIAL				
THE TECHNICAL MATERIEL CORP. MAMARONECK, NEW YORK				
CAPACITOR, FIXED, CERAMIC				
SIZE	CODE IDENT. NO.	DWG NO.	ISSUE	
B	82679	CC 119	A	
SCALE			SHEET	OF