

NOTICE TO PERSONS RECEIVING THIS DRAWING  
 THE TECHNICAL MATERIEL CORPORATION claims proprietary right in the material disclosed hereon. This drawing is issued in confidence for engineering information only and may not be reproduced or used to manufacture anything shown hereon without permission from THE TECHNICAL MATERIEL CORPORATION to the user. This drawing is loaned for mutual assistance and is subject to recall at any time.

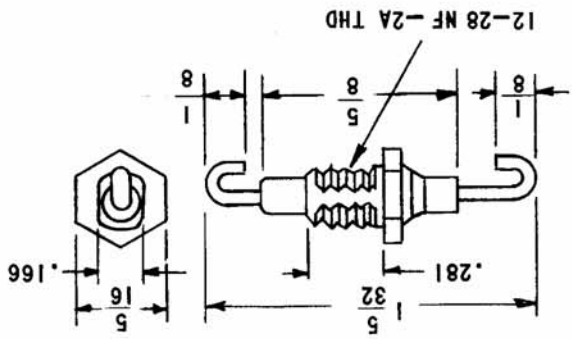
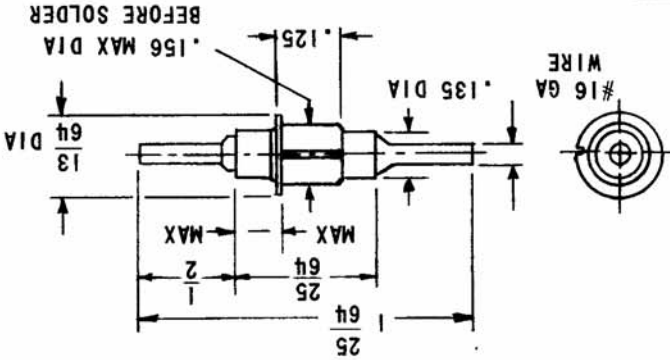
SCALE OF SHEET  
 SIZE A  
 CODE IDENT. NO. 82679  
 DWG. NO. CC 118  
 ISSUE

DATE 9-30-68	DATE 10/28/68	DATE 10-30-68	DATE	DATE	DATE
DRAWN	CHECKED	ELECT. DES.	MECH. DES.	FINAL APPROVAL	
UNLESS OTHERWISE SPECIFIED AND INCLUDE CHEMICALLY APPLIED OR PLATED FINISHES					
DECIMALS					
FRACTIONS					
X ± .05 TOLS.					
.XX ± .01 ANGLES					
° ± .005					
° ± .30					
MATERIAL					
FINISH					
CAPACITOR, FIXED CERAMIC					
FEED THRU					
THE TECHNICAL MATERIEL CORP. MAMARONECK, NEW YORK					

REQ'D	ITEM	PART NUMBER	DESCRIPTION	SYM.
			LIST OF MATERIAL	
			UNLESS OTHERWISE SPECIFIED AND INCLUDE CHEMICALLY APPLIED OR PLATED FINISHES	
			DECIMALS	
			FRACTIONS	
			X ± .05 TOLS.	
			.XX ± .01 ANGLES	
			° ± .005	
			° ± .30	
			MATERIAL	
			FINISH	
			CAPACITOR, FIXED CERAMIC	
			FEED THRU	
			THE TECHNICAL MATERIEL CORP. MAMARONECK, NEW YORK	

**SPECIFICATIONS**

CAPACITY: FT 500 THRU 2300 mmf (SEE CHART)  
 MFT: 50 THRU 1000 mmf (SEE CHART)  
 TOLERANCE: SEE CHART  
 MATERIAL: HI-K CERAMIC  
 VOLTAGE: 500 VDCM - 1000 VDC  
 SIZE: SEE ILLUSTRATION  
 INSULATION: UNINSULATED  
 LEADS: FT-.050" TINNED COPPER WIRE BOTH ENDS HOOKED TO FACILITATE SOLDERING.  
 MFT NO. 16 WIRE 1-3/8" OVER ALL MAX. LENGTH.  
 MOUNTING: FT-BRASS CADMIUM PLATED DOUBLE-FLATTED MOUNTING BUSHING .281" LONG WITH 12-28 THREAD BUSHING AND MOUNTING NUT. MFT-1/4" MAX DIAMETER EYELET TO BE INSERTED IN .160" DIA HOLE AND SOLDERED DIRECTLY TO CHASSIS.



TMC P/N	CAT NO.	CAP	UUF	TOL
CC118-1	FT-500	500	±20%	
-2	FT-1000	1000	±20%	
-3	FT-1500	1500	+50 -20%	
-4	FT-1800	1800	+50 -20%	
-5	FT-2300	2300	+50 -20%	
-6	MFT-50	50	±10%	
-7	MFT-100	100	±10%	
-8	MFT-500	500	±20%	
-9	MFT-1000	1000	GMV	

QTY	MODEL USED ON	ASSY NO.	LTR	DESCRIPTION	DATE	E.M.N.NO	DRAFT	CHKD	APPD
				EXPERIMENTAL RELEASE	10/1/68				
				ORIG. RELEASE FOR PROD	11/5/68				
REVISIONS									
APPLICATION									