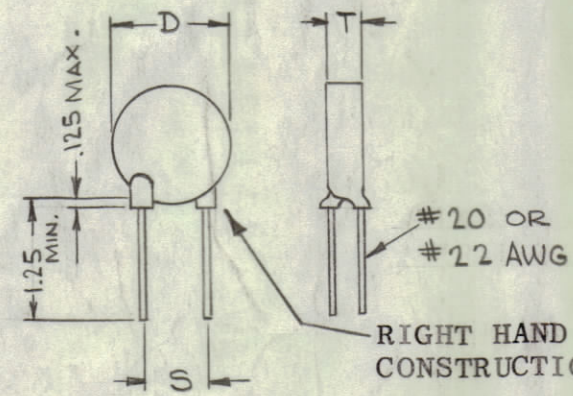


STANDARD DRAWING

AVAILABLE IN TEMPERATURE COEF. SHOWN AS COLUMN HEADINGS.
SIZE SHOWN BY LETTERS IN COLUMNS.

TYPE DESIGNATION	CAP. (PFD)	AG	CG	HG	LG	PG	RG	SH	TH	UJ
CC114-430-	43			C						
CC114-470-	47			C	C					
CC114-680-	68							C		
CC114-820-	82								C	
CC114-121-	120									C
CC114-131-	130	E	E							
CC114-151-	150	F	F	E						
CC114-161-	160	F	F	E						
CC114-181-	180	F	F	F	E	E				
CC114-201-	200	F	F	F	F	F	E			
CC114-221-	220	H	F	F	F	F	F			
CC114-241-	240	I	H	F	F	F	F	F		
CC114-271-	270	I	I	H	H	F	F	F		
CC114-301-	300	I	I	H	H	F	F	F		
CC114-331-	330	I	I	I	H	H	F	F		
CC114-361-	360	I	I	I	I	I	I	F		
CC114-391-	390	I	I	I	I	I	I	F		
CC114-431-	430	N	N	I	I	I	I	H	F	
CC114-471-	470	N	N	I	I	I	I	H	F	
CC114-511-	510	N	N	I	I	I	I	H	F	
CC114-561-	560		N	N	I	I	I	H	F	
CC114-621-	620			N	N	I	I	H	F	
CC114-681-	680				N	N	I	H	F	
CC114-751-	750				N	N	I	H	F	
CC114-821-	820					N	I	H	F	
CC114-911-	910						N	I	H	F

FOR TYPES ABOVE LINE SEE CC20, CC21, CC32.



SPECIFICATIONS
 WORKING VOLTAGE: 500VDC
 CAPACITANCE: MEASURED AT 1MC, 25°C
 Q: GREATER THAN 1,000
 INSULATION RESISTANCE: 10,000Ω MIN.
 OPERATING TEMP. RANGE: -55 TO +85°C

*COMPLETE TYPE DESIGNATION WILL INCLUDE LETTER SYMBOLS TO INDICATE TEMPERATURE COEFFICIENT AND CAPACITANCE TOLERANCE.

REVISIONS							
ZONE	SYM	DESCRIPTION	DATE	E.M.N. NO.	DRAFT	CHKD	APPD
	Ø	ORIGINAL RELEASE FOR PRODUCTION	5/24/63	-#			
	A	ON SIZE CHART "D MAX" ON I WAS .905 - SIZE "N" WAS "K" - ON P/NO CHART "G" ADDED TO A, C, H, L, P & R; "H" ADDED TO S & T - "J" ADDED TO U - VENDOR CHART & REPLACEMENT NOTE ADDED - REDRAWN WAS IN SIZE 2	2-1-66	15607	G.O.L.	CLOVA B M N E L E	
	B	T MAX, SIZE "C" WAS .156, SIZE "E" WAS .156 SIZE "F" WAS .156	7-21-66	16603	RME		
	C	ADDED 32 TO "REPLACEMENT NOTE"	5-31-67	18257	L.A.K.		

TYPE DESIGNATION SHALL BE IN THE FOLLOWING FORM:

CC 114 T H 471 K
 COMPONENT TEMP CAP. CAP. COEF. CAP. TOL.

TEMP. COEF.	TEMP. COEF. PARTS PER MILL PER °C	CAP. TOL.
A	+100 ±30	J ±5
C	ZERO ±30	K ±10
F	-30 ±30	M ±20
I	-80 ±30	
P	-150 ±30	
R	-220 ±30	
S	-330 ±66	
T	-470 ±66	
U	-750 ±130	

SIZE	D MAX.	T MAX.	S NOM.
A			
B			
C	.593	.187	.375
D			
E	.760	.187	.375
F	.920	.210	.375
G			
H	.780	.210	.375
I	.920	.250	.375
J			
N	.969	.250	.375

THIS PRINT TO BE USED FOR REPLACEMENTS OF CC 25, 26, 27, 30, 31, 32, 33, 35, 36, 37, 45, AND 47 WHERE APPLICABLE.

CAP. (pfd)	Temperature Coefficient & Tolerance									
	AG	CG	HG	LG	PG	RG	SH	TH	UJ	
43			EA							
47			SEA	SEA						
68							SEA			
82								SEA		SEA
120										
130		CSE	CSE							
150		CSEA	CSE	CSE						
160		CSE	CSE	CS						
180		CSE	CSE	CSE	CSE	CSE				
200		CS	CS	CSE	CSEA	CSEA	CSE			
220		SE	CS	CS	CSE	CSEA	CSEA			
240		CSEA	SE	CSEA	CSE	CSE	CSEA	CSEA		
270		SEA	CSEA	SE	SEA	CSE	CSE	CSEA		
300		SEA	CSEA	SE	SE	CS	CSE	CSEA		
330		CSE	CSE	CSEA	SE	SE	CE	CSE		
360		SEA	SEA	SEA	CSEA	CSEA	CSEA	SEA		
390		SEA	SEA	SEA	CSEA	CSEA	CSEA	CS		
430		C	C	CSE	CSE	CSEA	CSEA	SE	CSE	
470		C	C	CSE	CSE	CSE	CSEA	SE	CSE	
510		C	C	C	C	CS	CS	CSEA	EA	
560			C	C	C	CS	CS	CSEA	SE	
620				C	C	C	C	CSE	CSEA	
680					C	C	C	CSE	CSEA	
750					C	C	C	CSE	CSEA	
820						C	C	C	C	
910							C	C	C	

FOR PURCHASING INFORMATION ONLY.

APPROVED VENDORS vs CAP. vs TEMP. COEF.
 C-S401-61
 S-S401-49
 E-S401-203
 A-S401-93

NOTES

THE CONTENTS OF THIS DRAWING ARE THE EXCLUSIVE PROPERTY OF THE TECHNICAL MATERIEL CORP. ITS UNAUTHORIZED USE OR REPRODUCTION IN WHOLE OR IN PART IS STRICTLY FORBIDDEN.

REQ'D.	ITEM	PART NUMBER	DESCRIPTION	SYMBOL
LIST OF MATERIAL				
MATERIAL			THE TECHNICAL MATERIEL CORP. MAMARONECK, NEW YORK	
FINISH			TITLE CAPACITOR, FIXED, CERAMIC TEMP. COMPENSATING	
Q'TY./UNIT	MODEL USED ON	ASS'Y. NO.	UNLESS OTHERWISE SPECIFIED DIMENSIONS ARE IN INCHES AND INCLUDE CHEMICALLY APPLIED OR PLATED FINISHES	
SCALE	CODE	S401-61 S401-203 S401-49 S401-93	DECIMALS .X ± .05 .XX ± .01 .XXX ± .005	FRACTIONS ± 1/64 ANGLES ± 0° 30'
DRAWN			DATE	FINAL APPROVAL
CHECKED			DATE	DATE
ELECT. DES.			DATE	DATE
MECH. DES.			DATE	DATE
SHEET				REV. LTR.

CC114 C

B

REPROVAL NO. 440H 23858