

CC-108 B

CAPACITY (mmf)	TEMP. COEF. AVAILABLE			TEMP. COEF. STYLE 4 SEE DETAIL FOR VOLTAGE	VOLTAGE (VDC)
	STYLE 1	STYLE 2	STYLE 3		
5	B	B	B		1000
10	B	B	B		
15	D	D	B		
22	D	D	D		
33	G	G	D		
47	K	K	F		
75	L	L	K		
100	M	M	L		1000
150			M		500
470	P	P	P		
1000	P	P	P	P	
1500			P		500

CHART 1

CHART 3

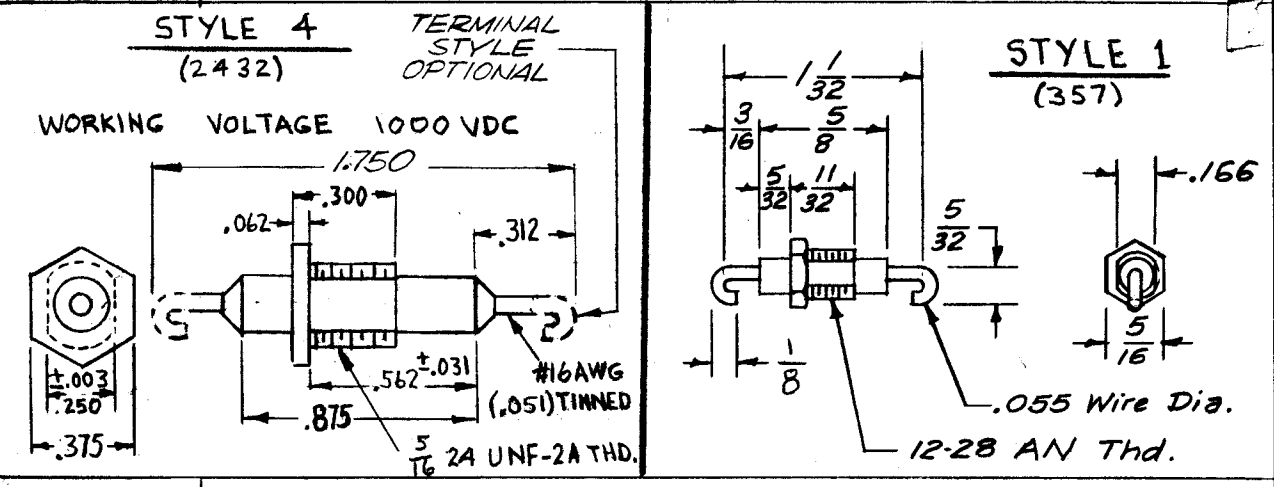
CAPACITY TOLERANCE					
IF Capacity is 10 mmf or Less	SYM.	COLOR CODE	IF Capacity is More Than 10mmf	SYM.	COLOR CODE
±.5 mmf	D	Green	± 10%	K	White
± 1.0 mmf	F	White	± 20%	M	Black
± 2 mmf	G	Black			

Standard Tolerance is ±10% for values of 5-100 mmf and ± 20% for values of 150-1500 mmf.

TEMP. CHARACTERISTICS		
SYMBOL	NOM. TEMP. COEF. (P/P/M/°C)	COLOR CODE
A	P120	None
B	P100	Gold
C	P030	Grey
D	NP0	Black
E	N030	Brown
F	N080	Red
G	N150	Orange
H	N220	Yellow
J	N330	Green
K	N470	Blue
L	N750	Violet
M	N1400	None
N	330±500	White
P	Hi-K-12	Silver

CHART 2

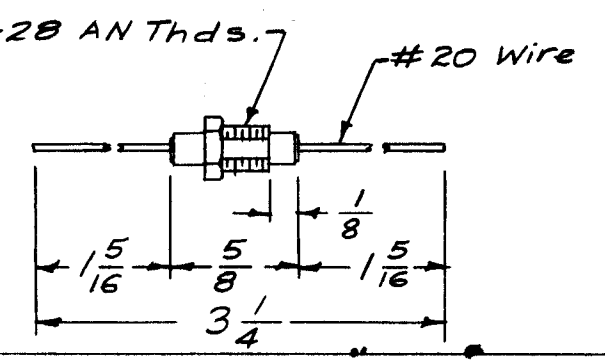
This Capacitor bypasses RF current to Ground when feeding thru a chassis.



STYLE 2 (321)

Style 2 is identical to Style 1 with the exception of the "hook" terminals.

STYLE 3 (362)



NOTICE TO PERSONS RECEIVING THIS DRAWING

THE TECHNICAL MATERIEL CORPORATION claims proprietary right in the material disclosed hereon. This drawing is issued in confidence for engineering information only and may not be reproduced or used to manufacture anything shown hereon without permission from THE TECHNICAL MATERIEL CORPORATION to the user. This drawing is loaned for mutual assistance and is subject to recall at any time.

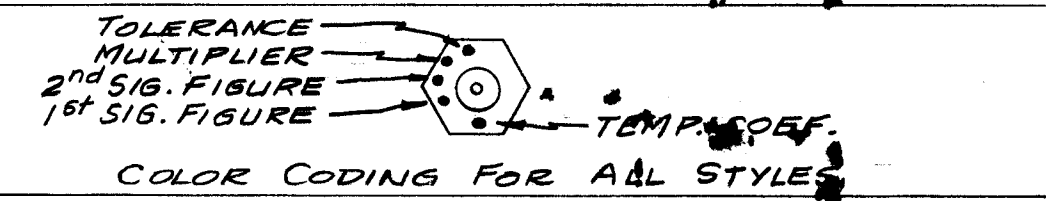
Property of:
THE TECHNICAL MATERIEL CORPORATION
MAMARONECK, NEW YORK

TYPE DESIGNATION AS FOLLOWS:

CC-108-1 P 1000 M

TMC DWG. NO. STYLE (Pictorial) TEMP. CHAR. (Chart 2) CAPACITY MMF (Chart 1) TOL. (Chart 3)

STANDARD DRAWING



COLOR CODING FOR AAL STYLES
Mounting Nuts- 12-28 x 5/16 A. FLAT. & 5/16-24 x 3/8 A. FLAT. TO BE supplied by Mfg.
REF- STYLES 321, 357, 362, 2432

ISSUE	ITEM	CHANGED FROM	DATE	CH. NO.	DRAFTS	CHECKER	ENG. APP.
B		DIM. CHG. TO 1.750 (STYLE 4)	4.28.70	19827	GE		
A	3	STYLE # 4 ADD.	4.2.65	13816	R.L.		
	2	MTG. NOTE & REF. REVISED.					
	1	CHART #1: TEMP. COEF. COL. ADD.					

TOLERANCES: DEC. DIM. ±, FRAC. DIM. ±, ANGULAR DIM. ±

SCALE: 5401-203

MAXIMUM ALLOWABLE TOLERANCES HAVE BEEN DETERMINED AND ANY DEVIATIONS WILL BE CAUSE FOR REJECTION. REMOVE ALL BURRS AND SHARP EDGES

REQ. PER UNIT	MODEL	PROJECT NO.	ASS'Y. NO.	DATE

REQ. ITEM	PART NO.	DESCRIPTION	SYMBOL
		THE TECHNICAL MATERIEL CORP. MAMARONECK, NEW YORK	
		CAPACITOR, FIXED, CERAMIC, FEEDTHRU	
		16 ^{8/20/57}	
		DRAWN	
		CHECKED	
		FINAL APPROVAL	
		28	
		FINISH & SPEC. NO.	
		ELEC. DES. APP.	
		MECH. DES. APP.	
		CC-108 B	