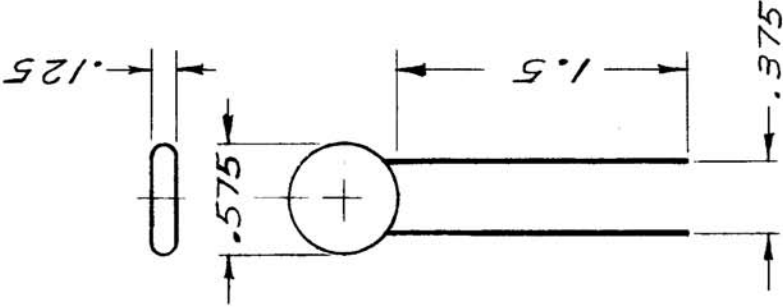


ISSUE	ITEM	CHANGED FROM	DATE	CN. NO.	DRAFTS	CHECKER	ENG. APP.	REQ.	ITEM	PART NO.	DESCRIPTION	SYMBOL
-------	------	--------------	------	---------	--------	---------	-----------	------	------	----------	-------------	--------



*.01UF, ± 10%, 200 VDCW
STYLE 815 OR EQUIVALENT*

REF: S401-203

AMC 2.0	020/66	16 NOV 65	DATE
MODEL	PROJECT NO.	ASS'Y. NO.	DATE
USED ON			
MAXIMUM ALLOWABLE TOLERANCES HAVE BEEN DETERMINED AND DEVIATIONS WILL BE CAUSE FOR REJECTION. REMOVE ALL BURRS AND SHARP EDGES	IF IT IS FOUND DESIRABLE TO CHANGE ANY TOLERANCE OR OTHER DETAIL SPECIFIED ON THIS DRAWING NOTIFY THE PURCHASER PROMPTLY.		
TOLERANCES			
ALL OTHERS	SCALE		
DISC. DIM. ±	DIMENSIONS IN INCHES		
FIAC. DIM. ±	UNLESS OTHERWISE SPECIFIED		
ANGULAR DIM. ±	DRILL, PUNCH, COMMERCIAL STOCK SIZES AND MANUFACTURERS TOLERANCES ARE NOT INCLUDED.		
STOCK SIZE		WEIGHT PER PC.	
MATERIAL		TYPE & TEMPER	
HEAT TREAT. SPEC.		FINISH & SPEC. NO.	
DRAWN		ELEC. DES. APP.	
CHECKED		MECH. DES. APP.	
TMC (Canada) LIMITED OTTAWA		FINAL APPROVAL	
CAPACITOR, FIXED		CC10009	
DISC .01UF ± 10%		RD	
RD		BCL	