

IF IT IS FOUND DESIRABLE TO CHANGE ANY TOLERANCE OR OTHER DETAIL SPECIFIED ON THIS DRAWING NOTIFY THE PURCHASER PROMPTLY.

MAXIMUM ALLOWABLE TOLERANCES HAVE BEEN DETERMINED AND DEVIATIONS WILL BE CAUSE FOR REJECTION. REMOVE ALL BURRS AND SHARP EDGES

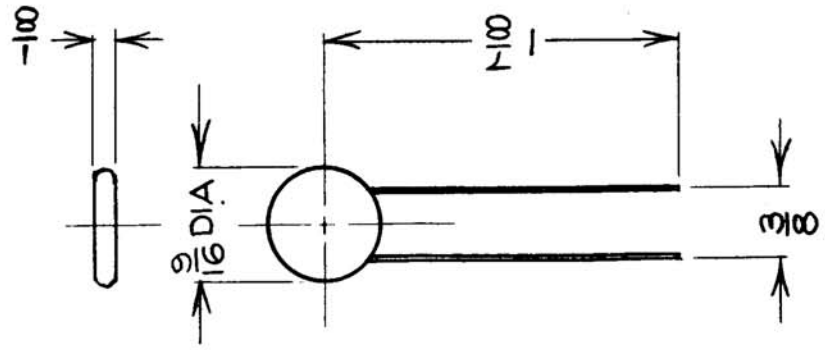
STANDARD DRAWING

CC10002

USED ON

MODEL	PROJECT NO.	ASS'Y. NO.	DATE
-------	-------------	------------	------

MAY 21 / 59



ED-01, ±10%, 600 VDCW
STYLE 811

REF: ERIE RESISTOR OF CANADA, LTD

REQ. ITEM	PART NO.	DESCRIPTION	SYMBOL
		TMC (Canada) LIMITED OTTAWA ONTARIO	
		CAPACITOR	
		- FIXED DISC-01UF, ±10%	
		DCM	
		DRAWN	ELEC. DES. APP.
		CHECKED	MECH. DES. APP.
		HEAT TREAT. SPEC.	FINAL APPROVAL
		FINISH & SPEC. NO.	CC10002

ISSUE ITEM	CHANGED FROM	DATE	CN. NO.	DRAFTS	CHECKER	ENG. APP.
TOLERANCES						
DEC. DIM. ±	DRILL, PUNCH, COMMERCIAL STOCK					
FRAC. DIM. ±	SIZES AND MANUFACTURERS					
ANGULAR DIM. ±	TOLERANCES ARE NOT INCLUDED.					