

TYPE DESIGNATION	CAPACITANCE	DC WORKING VOLTAGE	Q at 1 MC	CHARACTERISTICS AVAILABLE AT CAPACITANCE TOLERANCE			
				±2% (G)	±5% (J)	±10% (K)	±20% (M)
	uuf	Volts					
CB21-B950M	5	300	84				B
CB21-100-	10	300	170			ED	
CB21-150-	15	300	250			ED	
CB21-180-	18	300	300			ED	
CB21-200-	20	300	330		D		
CB21-220-	22	300	380		D	ED	
CB21-240-	24	300	400		D		
CB21-270-	27	300	450		D	ED	
CB21-300-	30	300	500		D		
CB21-330-	33	300	550		D	ED	
CB21-390-	39	300	660		D	ED	
CB21-470-	47	300	800		D	ED	
CB21-510-	51	300	860	D	D		
CB21-560-	56	300	940	D	D	ED	
CB21-620-	62	300	1,050	D	D		
CB21-680-	68	300	1,150	D	D	ED	
CB21-750-	75	300	1,260	D	D	ED	
CB21-101-	100	300	1,360	D	D	ED	
CB21-111-	110	300	1,360	D	D	ED	
CB21-151-	150	300	1,360	D	D	ED	
CB21-161-	160	300	1,360	D	D	ED	
CB21-201-	200	300	1,360	D	D	ED	
CB21-221-	220	300	1,360	D	D	ED	
CB21-241-	240	300	1,360	D	D		
CB21-271-	270	300	1,360	D	D	ED	
CB21-301-	300	300	1,360	D	D		
CB21-331-	330	300	1,360	D	D	ED	
CB21-361-	360	300	1,360	D	D	ED	
CB21-431-	430	300	1,360	D	D	ED	
CB21-471-	470	300	1,360	D	D	ED	
CB21-511-	510	300	1,360	D	D		
CB21-561-	560	300	1,260	D	D	ED	
CB21-621-	620	300	1,150	D	D		
CB21-681-	680	300	1,000	D	D	ED	
CB21-751-	750	300	930	D	D	ED	
CB21-102-	1,000	300	700	D	D	ED	
CB21-152-	1,500	300	460	D	D	ED	
CB21-182-	1,800	300	390	D	D	ED	
CB21-222-	2,200	300	310	D	D	ED	
CB21-242-	2,400	300	290	D	D	ED	

TERMINAL TYPE (See Details)

CODE	TYPE
P	Single "L"
Q	Single "U"
T	Offset
V	Rod

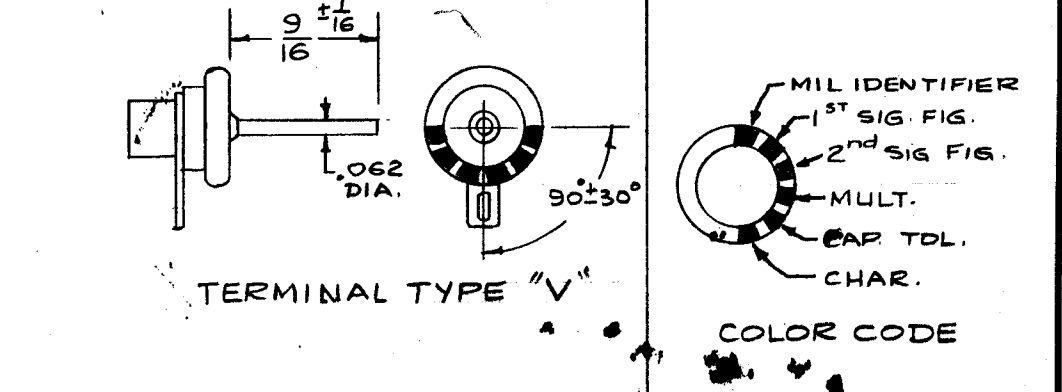
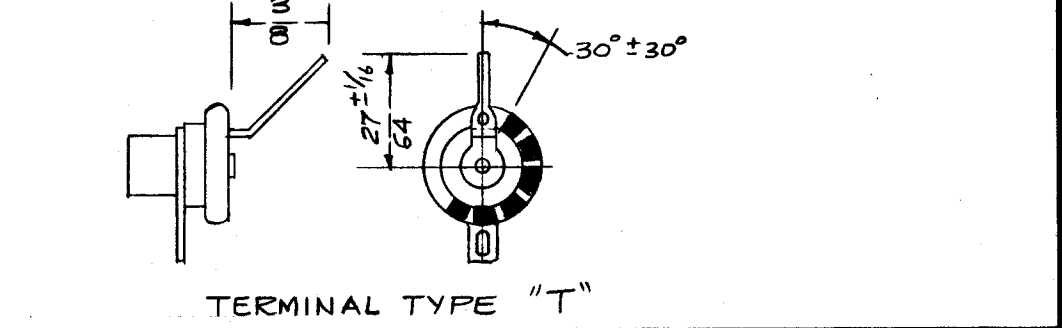
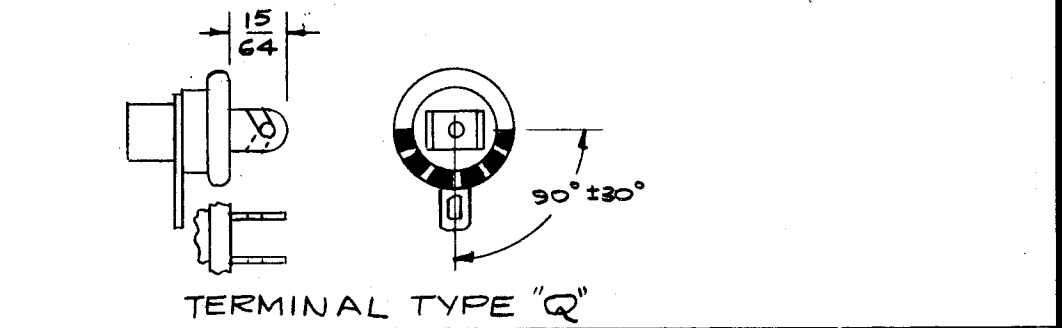
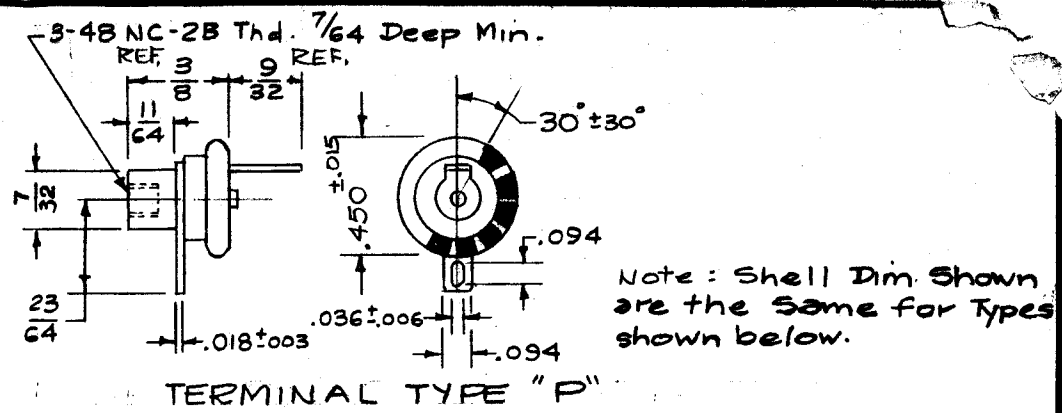
CHARACTERISTIC

CODE	INSL.	TEMP. COEF.	CAPACITANCE DRIFT
B	500	Not Specified	Not Specified
W	100	Specified	Specified
D	500	-100 to +100	0.3% or 0.3 mmf (whichever is greater)
X	100		

COLOR CODE: B=Brown, W=Violet, D=Orange, X=Grey

CAPACITANCE TOLERANCE

CODE	COLOR CODE	TOLERANCE Percent (±)
G	Red	2
J	Gold	5
K	Silver	10
M	Black	20



ISSUE	ITEM	CHANGED FROM	DATE	CH. NO.	DRAFTS	CHECKER	ENG. APP.
A		NOTCH TERM. TYPE "Q" RELOCATED	6.20.66	16431	WHD	JCS	JCS

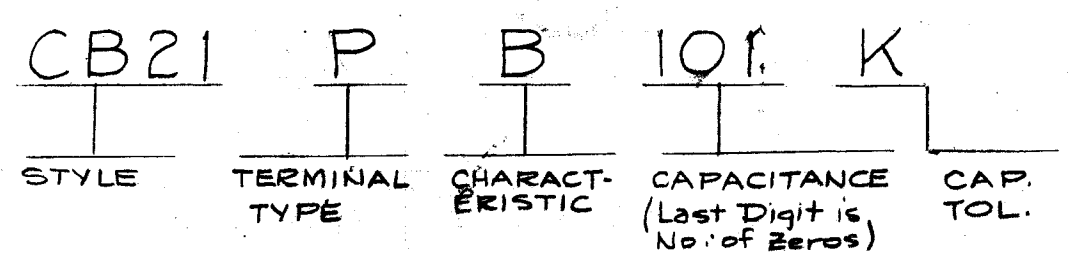
TOLERANCES

SCALE:

DEC. DIM. ±
FRAC. DIM. ±
ANGULAR DIM. ±

MAXIMUM ALLOWABLE TOLERANCES HAVE BEEN DETERMINED AND ANY DEVIATIONS WILL BE CAUSE FOR REJECTION. REMOVE ALL BURRS AND SHARP EDGES

TYPE DESIGNATION TO BE IN THE FOLLOWING FORM:



STANDARD DRAWING

REQ. PER UNIT	MODEL	PROJECT NO.	ASS'Y. NO.	DATE

USED ON

Capacitor to be in Accordance with MIL-C-10950A & MIL-C-10950/2 & Amendments.

REQ. ITEM	PART NO.	DESCRIPTION	SYMBOL
		THE TECHNICAL MATERIEL CORP. MAMARONECK, NEW YORK	
		CAPACITOR, FIXED, MICA, BUTTON STYLE	
		STOCK SIZE	
		MATERIAL	
		TYPE & TEMPER	
		HEAT TREAT. SPEC.	
		FINISH & SPEC. NO.	

16 6/12/58

DRAWN: [Signature] CHECKED: [Signature] FINAL APPROVAL: [Signature]

ELEC. DES. APP. MECH. DES. APP.

CB21 A