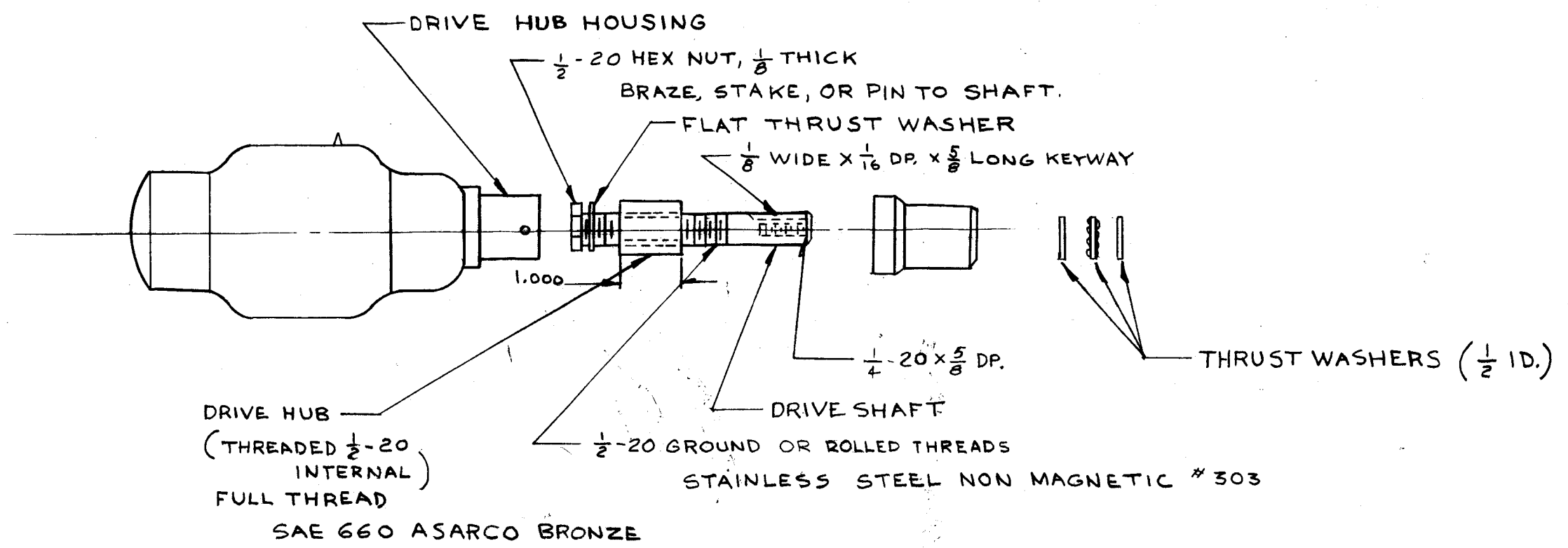
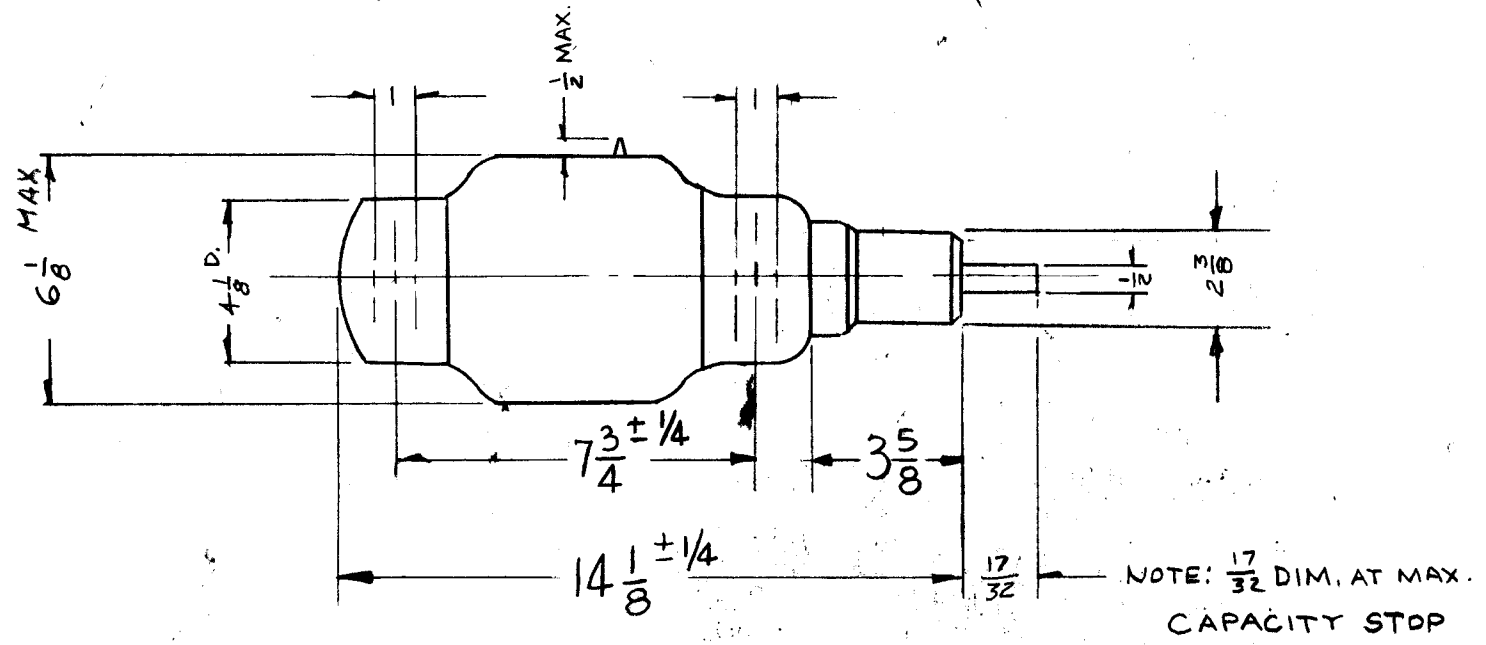


CB-160
A



ELECTRIC SPEC:
CAPACITANCE: 50-1000 UUF
VOLTAGE: 20KV.
CURRENT RATING: 125 AMPS, RMS AT 5 MC. OR BELOW



MOUNTING FLANGE REF: FOR T.M.C. USE ONLY
FIXED END FLANGE - PO-185-B
VARIABLE END FLANGE - PO-185-B
REF: VMMC - 50-1000 UUF AS MODIFIED

FINISHED ASSEMBLED CAPACITORS

SYM	DESCRIPTION	DATE	CH. NO.	DRAFTS	CHECKER	ENG. APP.
A	7 3/4 +/- 1/4 DIM CLARIFIED (OR ROLLED) WAS ADDED TO 1/2-20 GROUND THD	12-15-61	6050	EE	AK	LB
UNLESS OTHERWISE SPECIFIED: DIMENSIONS ARE IN INCHES TOLERANCES ON FRACTIONS ± 1/32 DECIMALS ± .005 ANGLES ± 1°		SCALE: MAXIMUM ALLOWABLE TOLERANCES HAVE BEEN DETERMINED AND ANY DEVIATIONS WILL BE CAUSE FOR REJECTION. REMOVE ALL BURRS AND SHARP EDGES		3	GPT - 40 K	AX, 209, AX, 211
		REQ. PER UNIT	MODEL	SECTION	ASS'Y. NO.	DATE
						B-28-61

REQ. ITEM	PART NO.	DESCRIPTION	SYMBOL
		THE TECHNICAL MATERIEL CORP. MAMARONECK, NEW YORK	
	STOCK SIZE	CAPACITOR, VARIABLE VACUUM W/MAX. CAPACITY STOP	
	MATERIAL		
		R. LOPEZ	LB
	TYPE & TEMPER	HEAT TREAT. SPEC.	DRAWN CHECKER
			FINAL APPROVAL
		LB	CB-160
	FINISH & SPEC. NO.	ELEC. DES. APP. MECH. DES. APP.	A