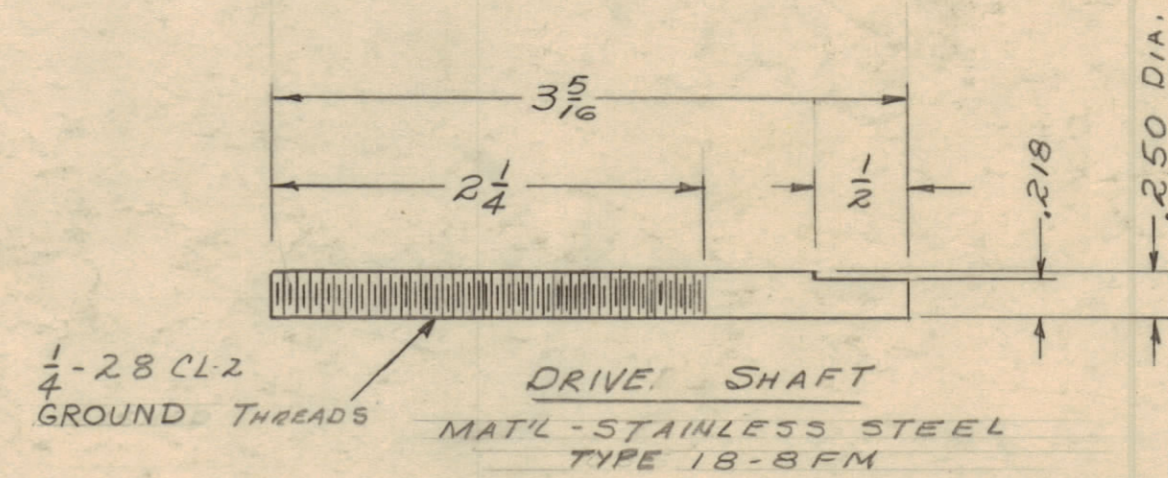
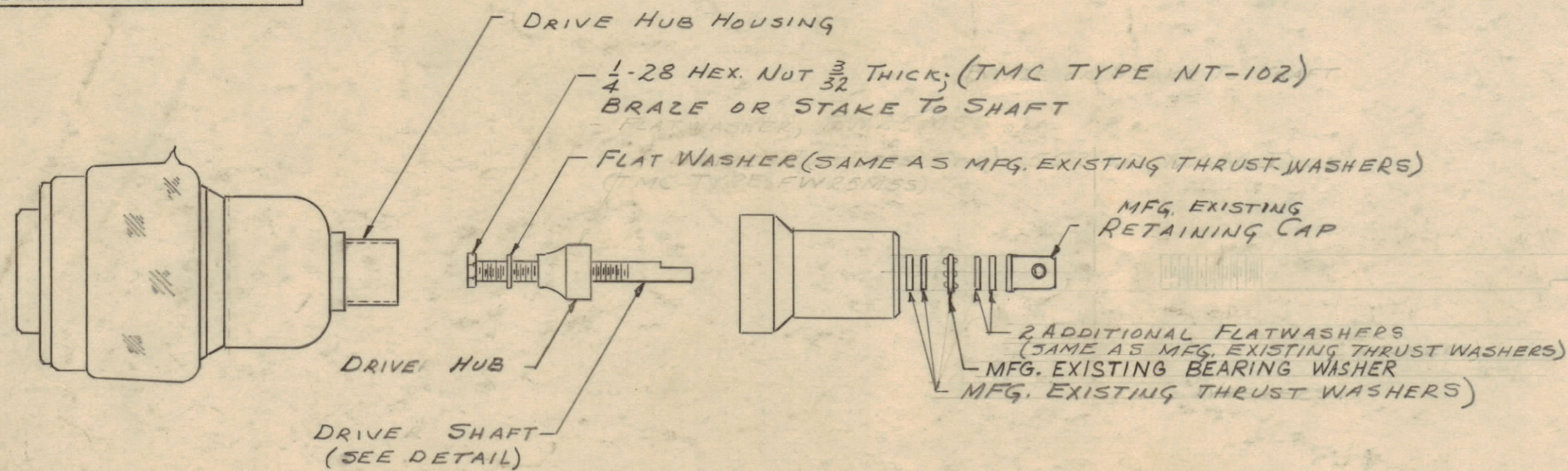
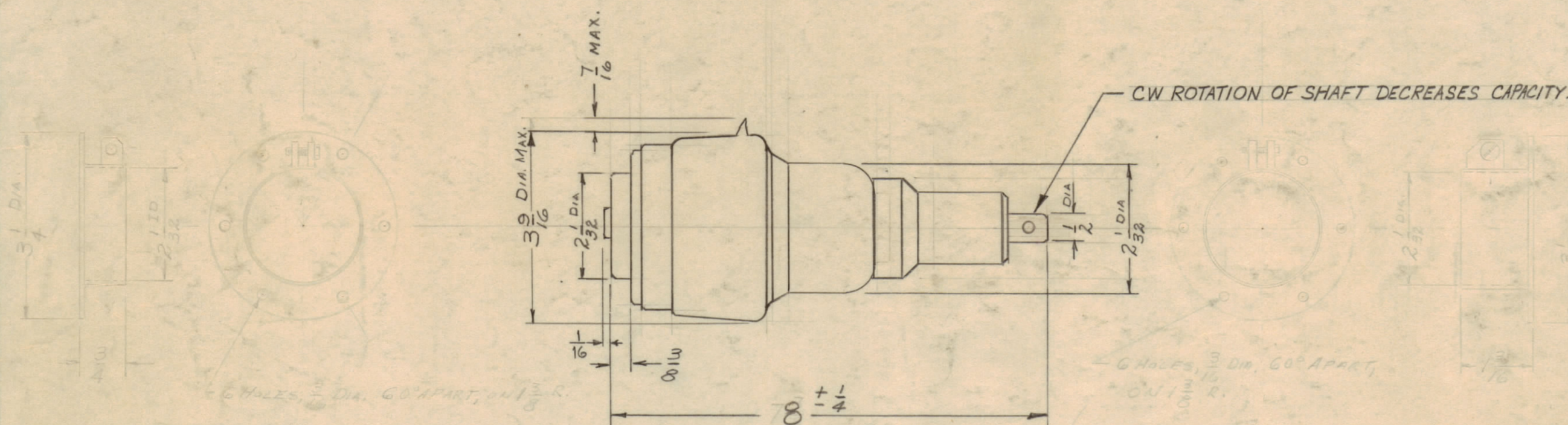


IF IT IS FOUND DESIRABLE TO CHANGE ANY TOLERANCE OR OTHER DETAIL SPECIFIED ON THIS DRAWING NOTIFY THE PURCHASER PROMPTLY.

MAXIMUM ALLOWABLE TOLERANCES HAVE BEEN DETERMINED AND DEVIATIONS WILL BE CAUSE FOR REJECTION. REMOVE ALL BURRS AND SHARP EDGES.



CAPACITANCE - 12-500 MMFD
 VOLTAGE - 7.5 KV (PEAK)
 CURRENT RATING - 45 AMPS RMS



FINISHED ASSEMBLED ITEM
 (UCSF-12-500-7.5KV)

CB-145 D

FLANGE REF. { FIXED END - PO-185-3
 (TMC ONLY) { VAR. END - PO-185-2

REF. TMC CB-142-500-7.5A } MODIFIED AS SHOWN
 UCSF-12-500-7.5KV }

NOTICE TO PERSONS RECEIVING THIS DRAWING

THE TECHNICAL MATERIEL CORPORATION claims proprietary right in the material disclosed hereon. This drawing is issued in confidence for engineering information only and may not be reproduced or used to manufacture anything shown hereon without permission from THE TECHNICAL MATERIEL CORPORATION to the user. This drawing is loaned for mutual assistance and is subject to recall at any time.

Property of:
 THE TECHNICAL MATERIEL CORPORATION
 MAMARONECK, NEW YORK

D	1	ONTOL. CHART FRAC. DIM. $\frac{3}{32}$ WAS $\frac{1}{64}$	11-9-61	5815	G.D.L.	RU	200
C	1	8 1/4 DIM. WAS 7 7/8	8-5-61	5378	G.D.L.	RU	200
B	2	7 7/8 DIM. WAS 7 3/4	5-12-61	4877	M.G.	RU	200
A	1	CW ROTATION NOTE ADDED FLANGE REF. ADDED	10-12-63	H	RU		
ISSUE	ITEM	CHANGED FROM	DATE	CH. NO.	DRAFTS	CHECKER	ENG. APP.
TOLERANCES		SCALE: NTS					
ALL OTHERS	DEC. DIM. ± FRAC. DIM. ± 1/32 ANGULAR DIM. ±	DRILL, PUNCH, COMMERCIAL STOCK SIZES AND MANUFACTURERS TOLERANCES ARE NOT INCLUDED.					

1	AM-101	PROJECT NO.	A-1623	DATE
REQ. PER UNIT	MODEL	PROJECT NO.	ASSY. NO.	DATE
USED ON				

REQ. ITEM	PART NO.	DESCRIPTION	SYMBOL
THE TECHNICAL MATERIEL CORP. MAMARONECK, NEW YORK			
STOCK SIZE		CAPACITOR, VAR., VAC., 12-500 mmfd	
MATERIAL	WEIGHT PER PC.	(W/LOCKING SHAFT)	
TYPE & TEMPER		18	SG.
HEAT TREAT. SPEC.		CHECKED	FINAL APPROVAL
FINISH & SPEC. NO.		CB-145 D	